



# INSTALLATION INSTRUCTIONS

Accessory  
**SURFBOARD ATTACHMENT**  
P/N 08L05-E09-200

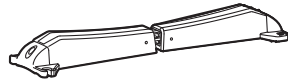
Application  
**ALL APPLICABLE MODELS**

Publications No.  
**VERSION 1**  
Issue Date  
**MAY 2018**

**Put this information in the glove box for future reference.**

## PARTS LIST

2 Surfboard attachments



4 Surfboard attachment brackets



8 Thumbwheels



8 Board guards



2 Load straps



2 Ratchet protectors



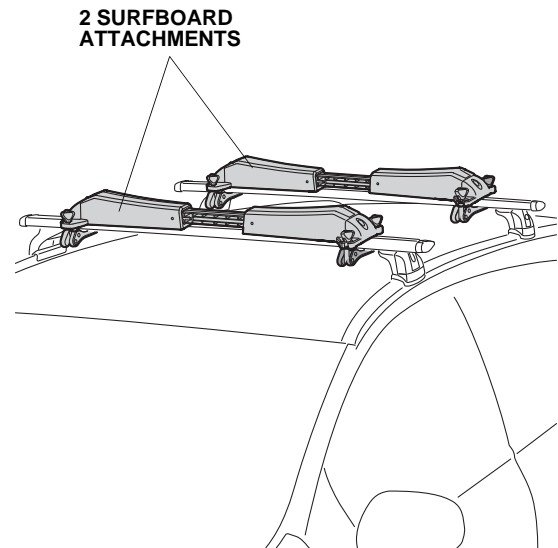
Tie-down hook



Tie-down rope



## Illustration of the Surfboard Attachment on the Vehicle



QG11801AC

## INSTALLATION

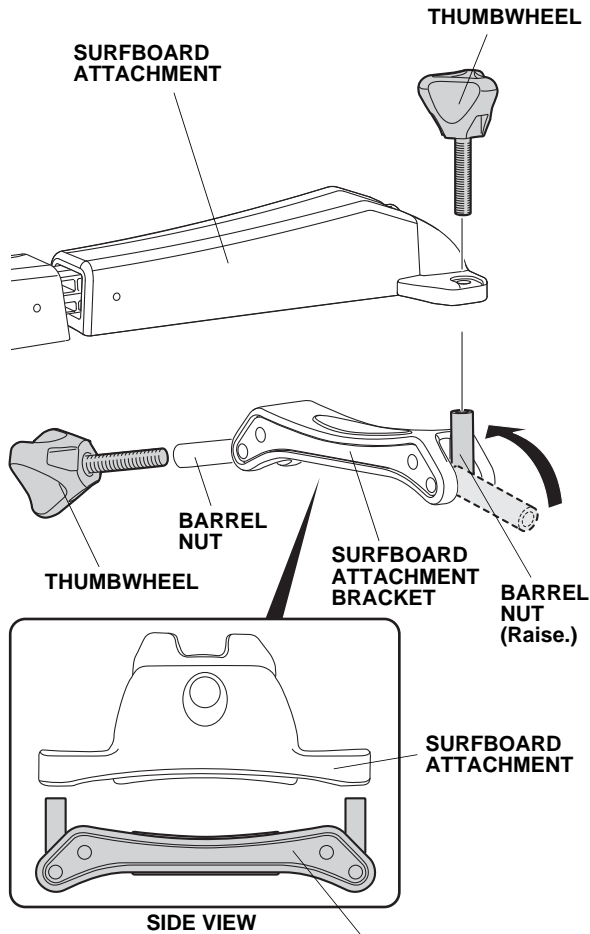
### NOTE:

- This surfboard attachment kit is designed to be used exclusively with Genuine Acura Accessory Crossbars, which are sold separately.
- Do not use non-Acura accessories, carriers, or attachment sets with this surfboard attachment kit.
- Install the surfboard attachment after installing the crossbars on the roof.
- Be extremely careful not to damage the roof and other finished surfaces of the body when installing the surfboard attachment.

## Installing the Surfboard Attachment

1. Raise one of the barrel nuts on the surfboard attachment bracket. Thread one of the thumbwheels into the barrel nut through the hole on the side of the surfboard attachment. Thread another thumbwheel into the other barrel nut. Repeat for the remaining three brackets.

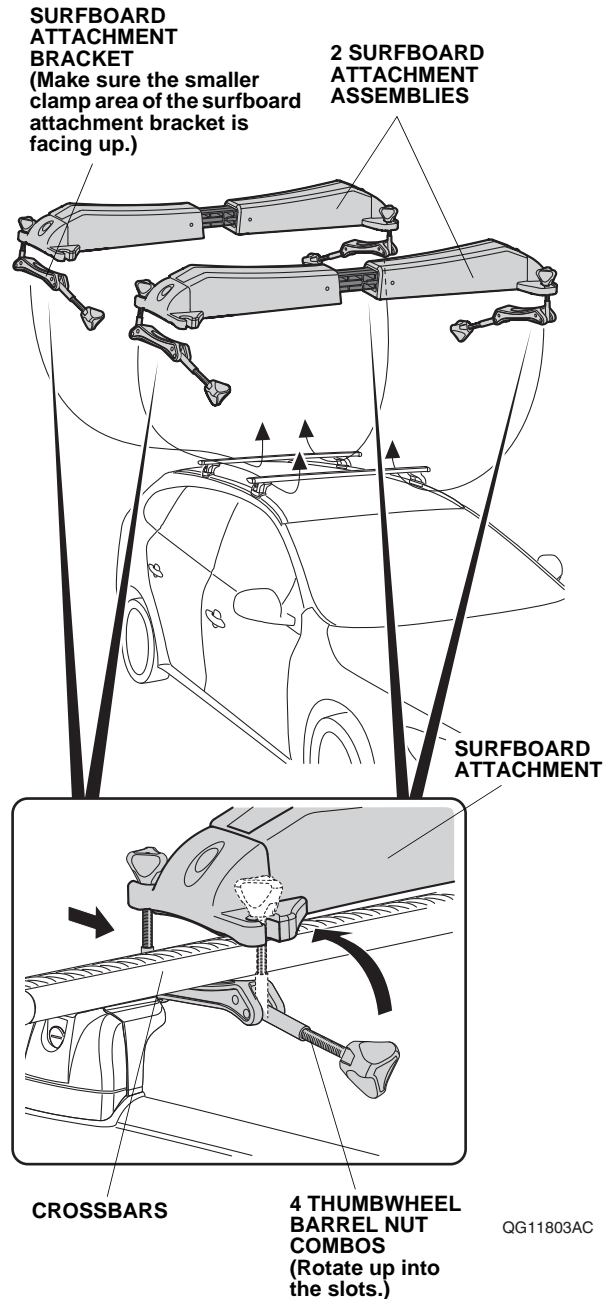
NOTE: Make sure the small clamp area of the surfboard attachment bracket is facing up.



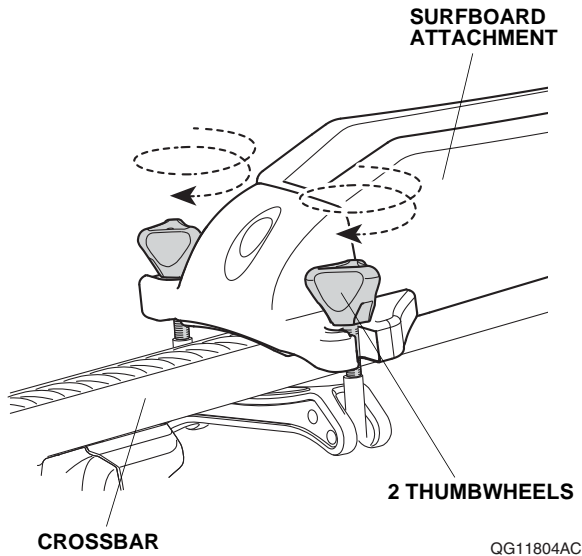
**SURFBOARD ATTACHMENT BRACKET** QG11802AC  
(Make sure the smaller clamp area of the surfboard attachment bracket is facing up.)

2. Install the surfboard attachment assemblies on the crossbars with the brackets around the crossbars. Make sure that the smaller clamp area is facing up. Rotate the thumbwheel and barrel nut combo up into the slot on the surfboard attachment. Repeat for the remaining three brackets.

NOTE: Make sure the barrel nuts are properly lined up with the slots.



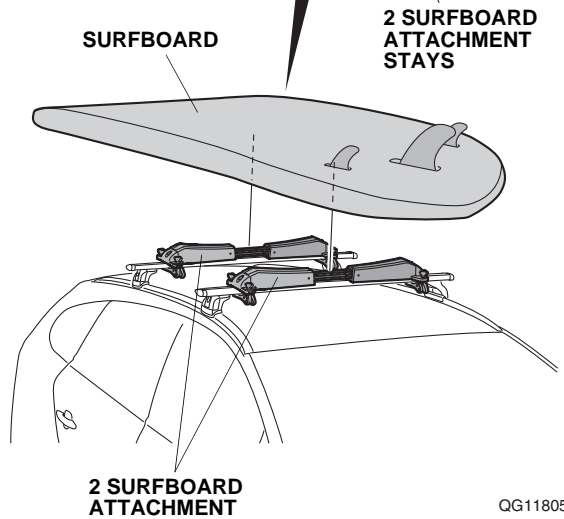
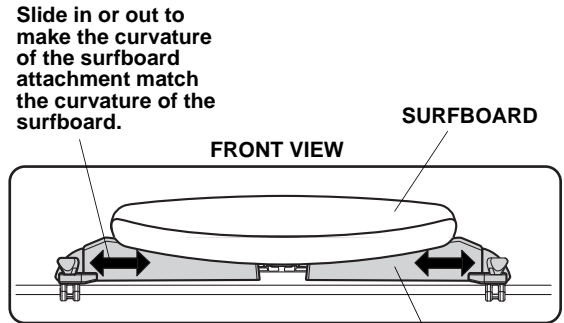
- Secure the surfboard attachment by tightening the two thumbwheels evenly as shown. Repeat for the remaining six thumbwheels.



QG11804AC

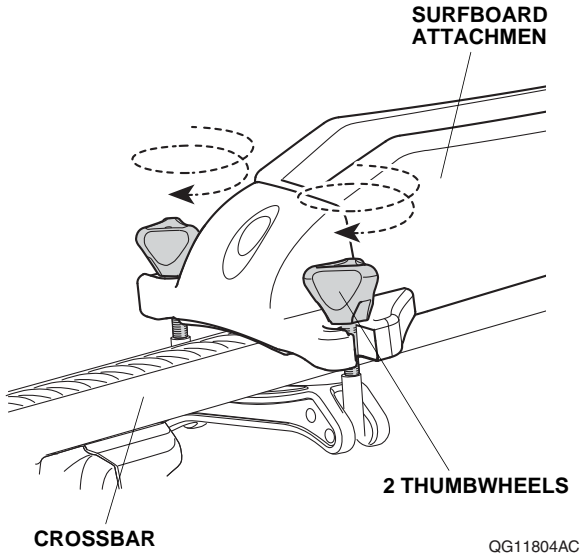
### How to Load a Surfboard on the Surfboard Attachments

- Loosen the thumbwheels to allow the surfboard attachment stays to slide on the crossbars. Place the surfboard on the surfboard attachment, and slide the surfboard attachment stays in or out until the curvature of the surfboard attachment matches the curvature of the surfboard.

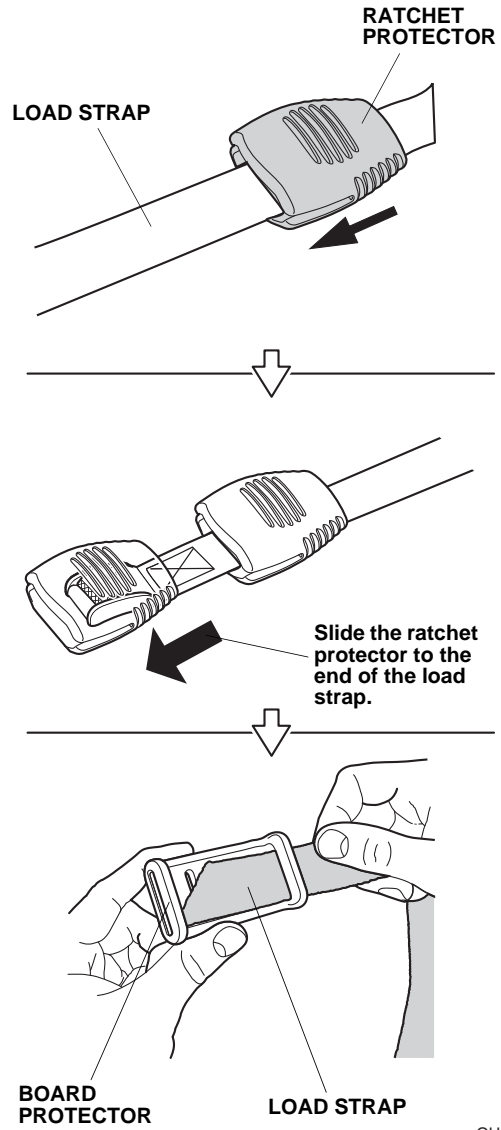


QG11805AC

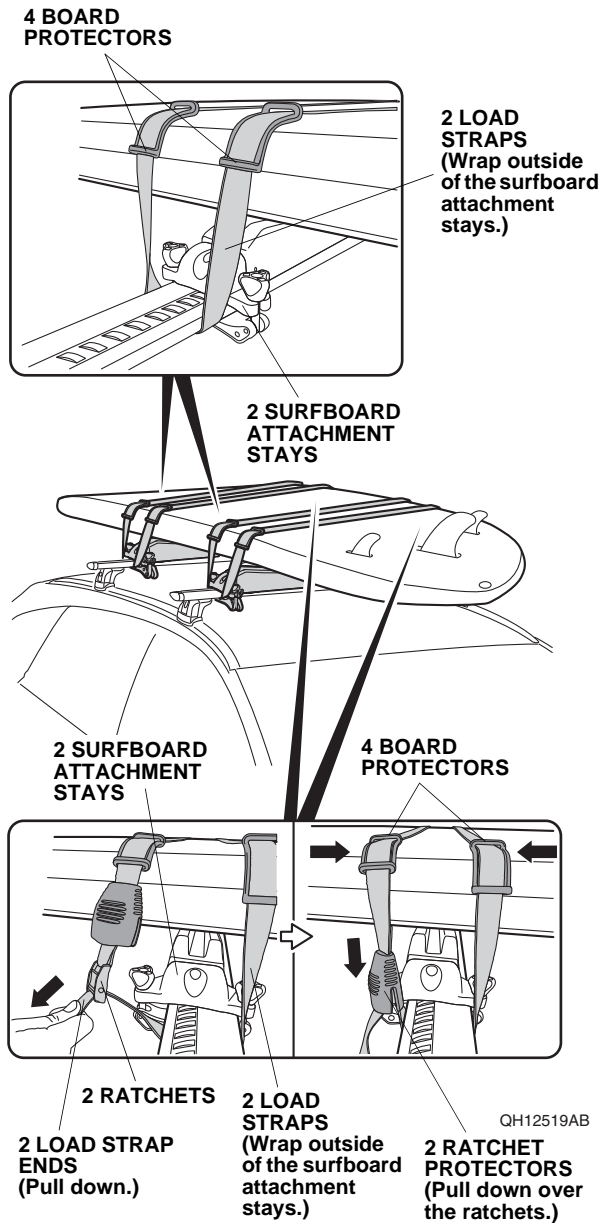
5. Secure the surfboard attachment by tightening the two thumbwheels evenly as shown. Repeat for the remaining six thumbwheels.



6. Place a ratchet protector and four board protectors onto each of the two load straps.

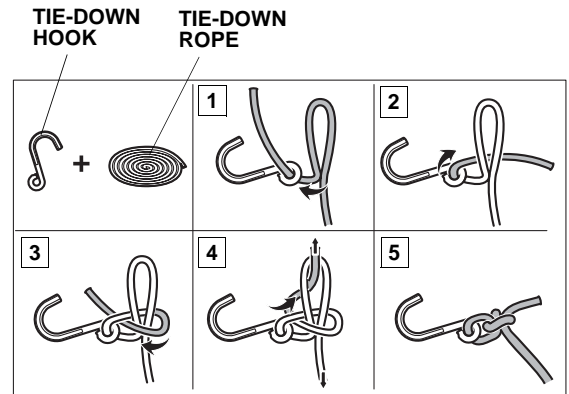


7. Wrap the two load straps over the surfboard and under the crossbars outside of the surfboard attachment stays.
- NOTE: If the load straps go around the crossbars on the inside of the surfboard attachment stays, the surfboard may be able to slide.



8. String the load strap ends through the ratchets, and pull down on the ends to tighten the load straps.
- NOTE: Make sure the board guards stay on the surfboard edge as the load straps are tightened.
9. Pull the two ratchet guards down over the ratchets.

10. Attach the tie-down hook to the tie-down rope as shown.



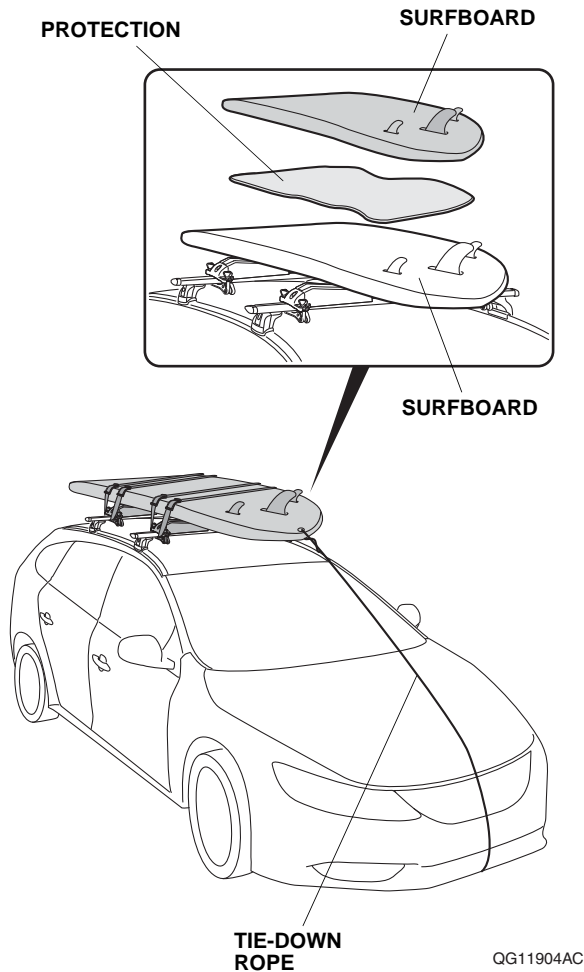
QG11903AC

11. Attach the tie-down rope to the back of the surfboard, then hook the rope to a secure spot at the front of the vehicle. Make sure the tie-down rope is tight.

NOTE: When two stacked surfboards are attached, make sure to put protection between them.

### WARNING

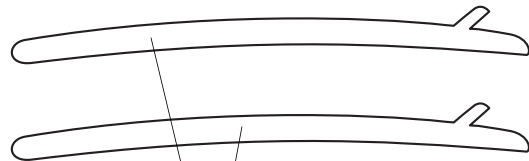
Always use the tie-down rope to secure the back of the surfboard. Failure to do so could result in the surfboard coming off the roof of your vehicle and causing injury.



QG11904AC

### USE AND CARE

- The weight of the cargo must not exceed the maximum weight capacity of 110 lbs (50 kg). Also, make sure the total weight of the surfboards and surfboard attachments are below the crossbar maximum weight capacity.



MAX. 110 lbs (50 kg)

QG11905AC

- Do not exceed 80 mph (130 km/h) with a surfboard attached.
- Remove surfboard attachments when not in use or before you go into a car wash.
- Do not use for off road.
- Be extremely careful not to damage the roof and other finished surfaces of the body.
- Before and after driving, or after loading a surfboard on the attachment, check the security of the attachment mounts and retighten them as necessary.

### PRECAUTION

- Avoid sudden starts or stops with the surfboard attachments on the vehicle. It may cause bolts and other fasteners to loosen.
- Obey local laws and regulations.
- Before driving, make sure that the surfboard attachments are firmly attached regardless of whether surfboards are mounted on the surfboard attachments.
- Do not use the surfboard attachment with vehicles other than those specified.
- The surfboard and tie-down rope might be inside the field of view of the vehicle's front camera and radar. The collision mitigation braking system may not activate properly when the camera and/or radar's field of view is obstructed. For additional warnings and information, please refer to the vehicle owner's manual.