



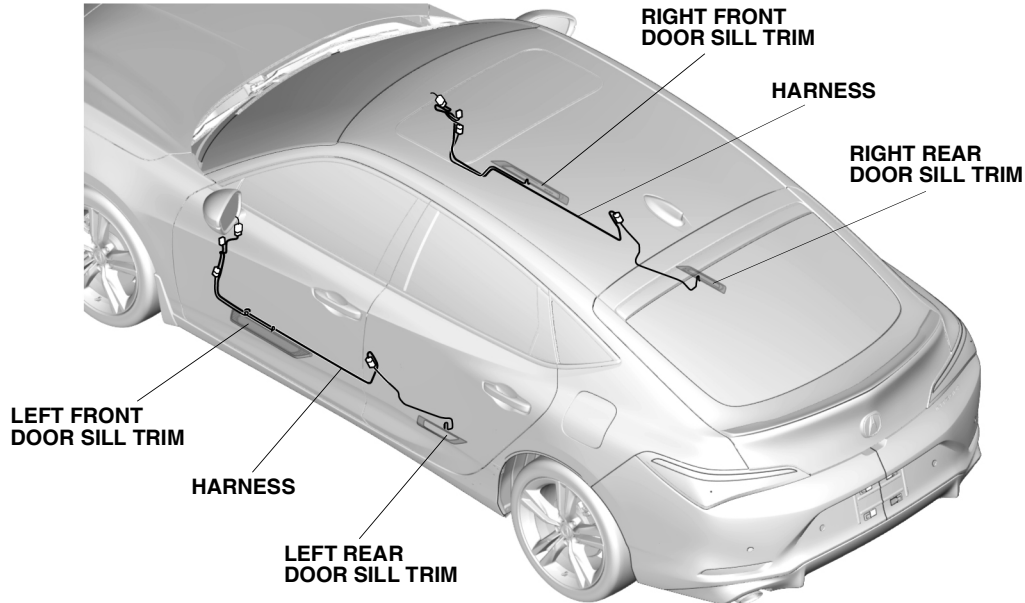
INSTALLATION INSTRUCTIONS

Accessory
**ILLUMINATED
DOOR SILL TRIMS**

Application
**2023 INTEGRA
MODEL SERIES**

Publications No.
VERSION 1
Issue Date
MAY 2022

GENERAL VIEW



QL71401AH

FOR YOUR SAFETY (Read carefully.)

Warning Symbols

Safety: Your safety, and the safety of others, is important. To help you make informed decisions about service procedures, we have provided safety messages where appropriate. Of course, it is not practical or possible to warn you about all the hazards associated with servicing a vehicle - you must use your own good judgment.

You will find important safety messages preceded by one of following symbols:

*All symbols are not used in all installation instructions.

⚠ DANGER

You will be killed or seriously hurt if you do not follow the instructions.

⚠ WARNING

You can be killed or seriously hurt if you do not follow the instructions.

⚠ CAUTION

You can be hurt if you do not follow the instructions.

NOTICE

Gives advice to prevent damage to the product, vehicle, the environment or other property.

NOTE

Gives helpful information or instructions to be followed when installing this product.

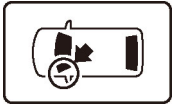


Indicates a prohibited action.

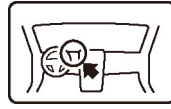
Procedure and Location Icons

These icons indicate the work location and the worker's point of view.

*All icons are not used in all installation instructions.



The location on the vehicle.



The location in the vehicle.
(instrument panel.)



Wear eye protection.



Wear heavy gloves.



Use an assistant.



Place the part on a blanket.



Work perpendicular.



Remove any burrs.



Use touch-up paint and allow to dry.



Tighten to the specified torque.



Apply firm pressure while rolling, especially at the ends, to set the adhesive.



Press firmly.

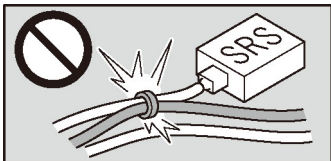


Clean with isopropyl alcohol.

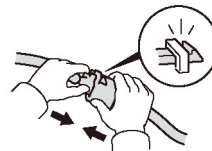


Return the original part to the client.
(Do not reuse.)

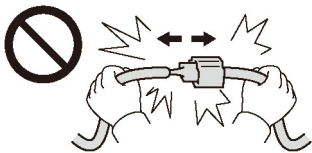
Wire Harness Routing Precaution



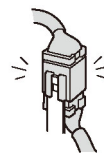
Do not secure the accessory harness to the SRS harness.
(except for instruction cases.)



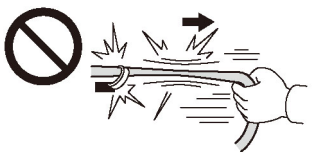
Push the connectors and terminals together until they lock.



Do not pull the harness to unplug the connectors.



Install removed connectors in their original location.



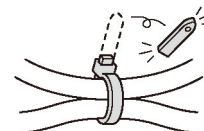
Do not pull the harness.



Secure the accessory harness as shown.



Do not pinch the harness.



Cut off the excess wire tie.

Safety: General

- Observe all safety notes and precautions described in the service information, in addition to those described in this Installation Instruction. Be extremely careful for your safety and the safety of others.
- Be careful not to damage the vehicle or the parts.
- Be extremely careful when handling retaining tabs and clips.
- Note the locations of the parts before removing them so they can be properly installed in their original positions.
- The illustrations may differ slightly from the actual accessory.

Safety: Electric Parts

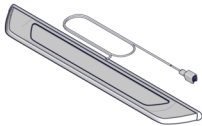
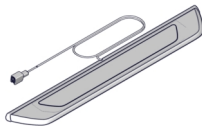
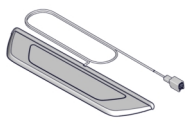
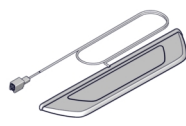
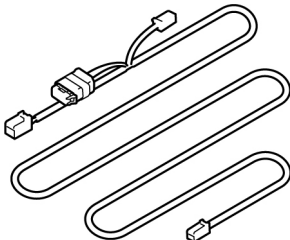
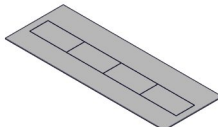
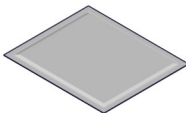

Always disconnect the negative cable from the battery before beginning work.

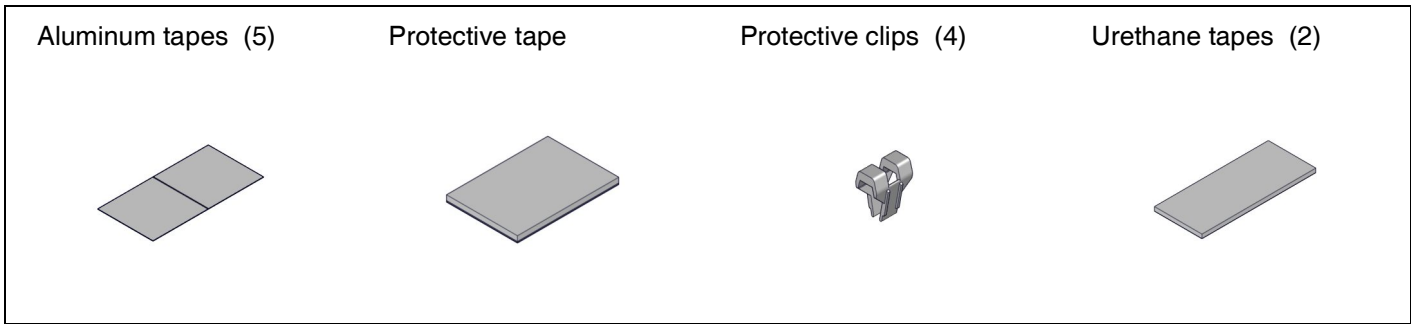
Safety: Accessory

- Always use the parts and tools specified in the installation instructions.
- Do not install the accessory on a dirty surface or in direct sunlight.
- Make sure the ambient air temperature is 60°F (15°C) or above when installing accessories that use adhesive material.
- When pressing the accessory firmly with the palm of your hand, be careful not to damage it or the vehicle.
- When applying adhesive material, make sure it is lined up properly before attaching. Once the adhesive material touches the surface, do not try to remove it. If you do, you could damage the part.
- Do not wash the vehicle for 24 hours to allow the adhesive to cure.

PARTS LIST

Illuminated Door Sill Trim Kit (P/N 08E12-3S5-200)

Left front door sill trim (Identification mark: L)	Right front door sill trim (Identification mark: R)	Left rear door sill trim (Identification mark: L)	Right rear door sill trim (Identification mark: R)
			
Harnesses (2)	Fuse labels (2)	Alcohol wipes (4)	Wire ties (24)
			(Some may not be used) 



REQUIRED TOOLS AND SUPPLIES

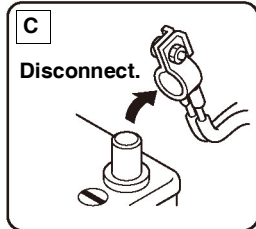
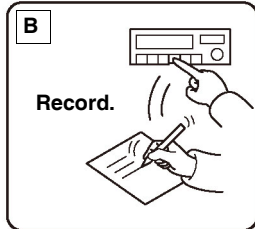
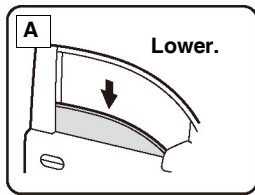
- 10 mm Ratchet
- Shop towel
- Isopropyl alcohol
- 10 mm Socket
- Masking tape
- Diagonal cutters
- 10 mm Open end wrench
- Scissors
- Ruler

The following tools are available through the Acura Tool and Equipment Program:

- Trim Tool Set (T/N SOJATP2014)
- Rubber Roller (T/N MHLE54D)
- Plastic Trim Tool (T/N SILTRIMTL10)

INSTALLATION

1. Disconnect the negative cable from the battery.

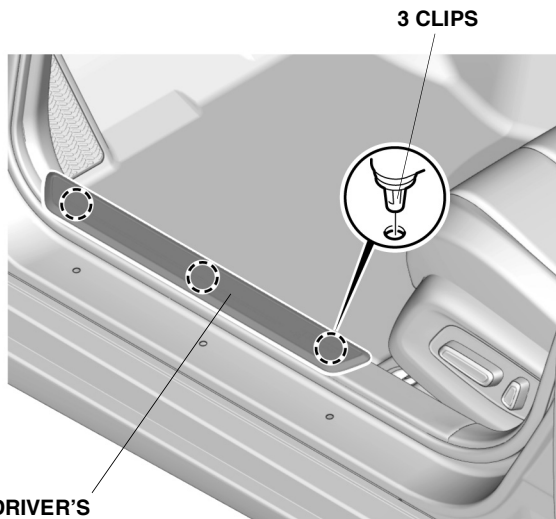
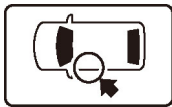


QCD0502BM

2. Choose one of these options.

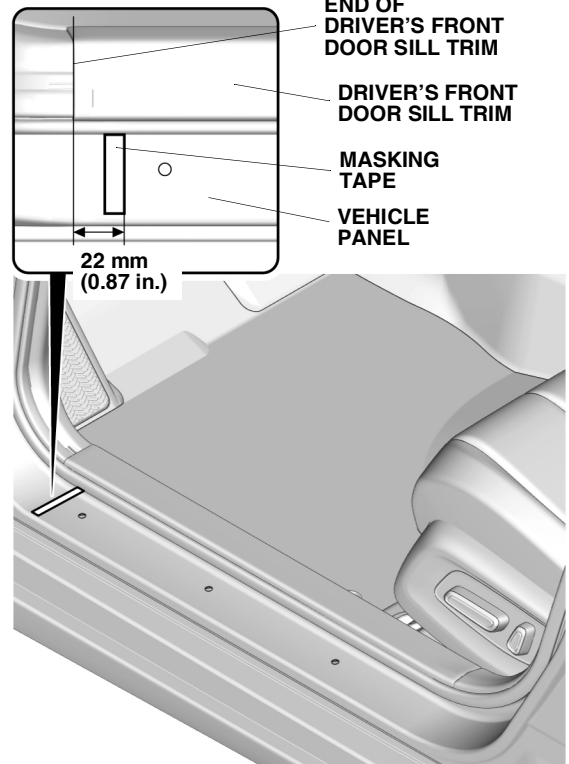
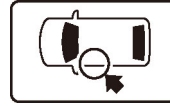
- | | |
|--------------------------------|--------------|
| • With outer side sill trim | Go to step 3 |
| • Without outer side sill trim | Go to step 4 |

3. Remove the driver's outer side sill trim.



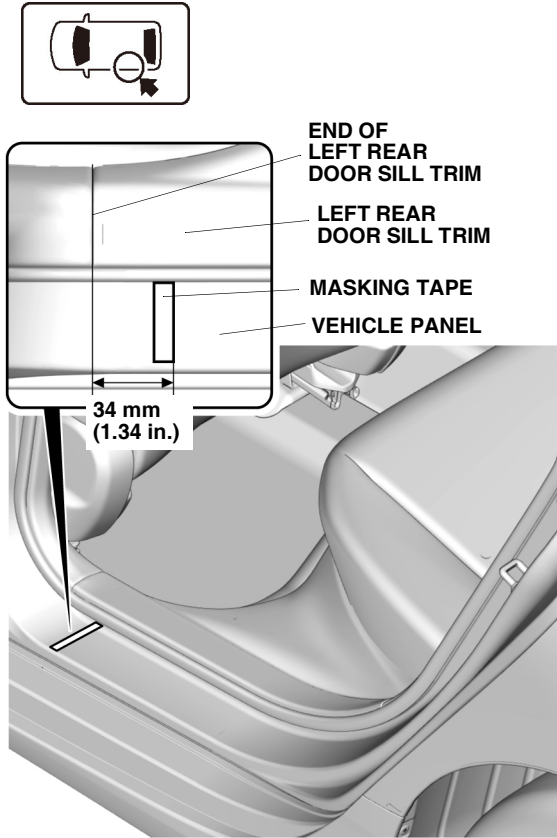
QL60111AU

4. Attach the masking tape.



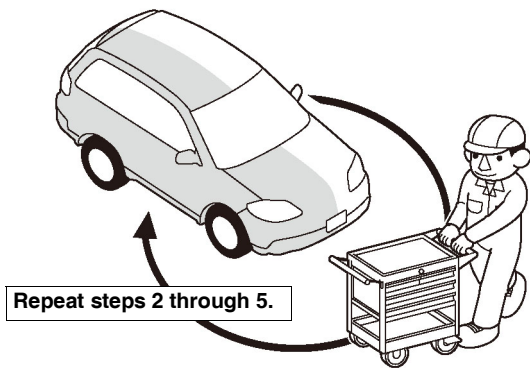
QL71402AH

5. Attach the masking tape.



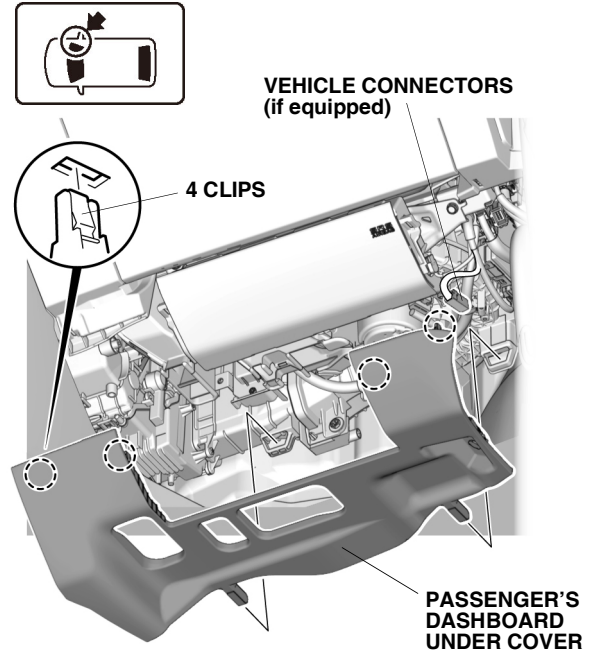
QL71403AH

6. Repeat the same procedures on the other side.



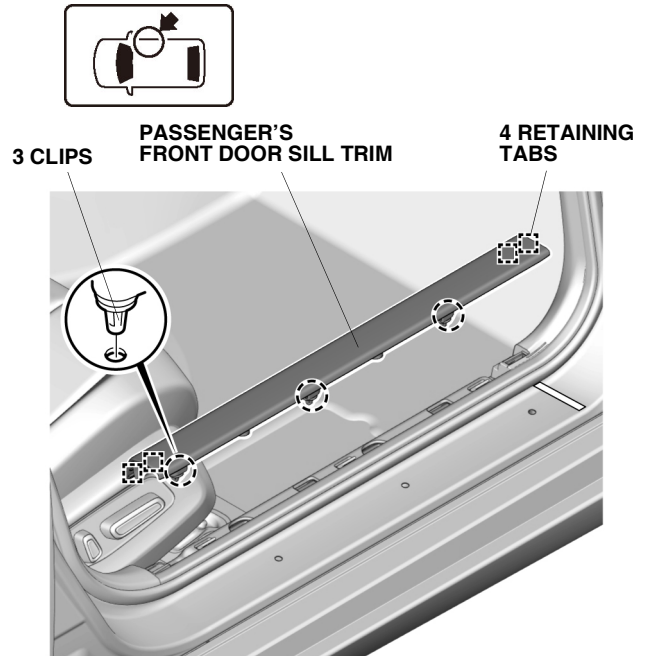
Q9D1014AM

7. Remove the passenger's dashboard under cover.



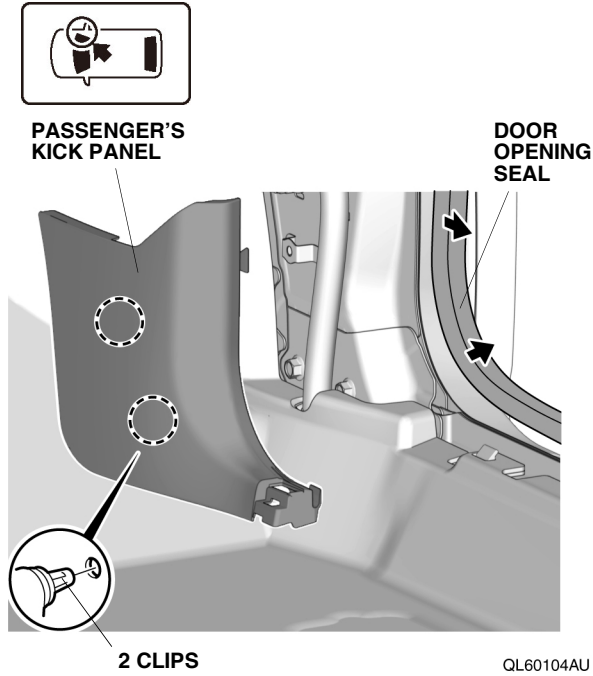
QL50601AU

8. Remove the passenger's front door sill trim.

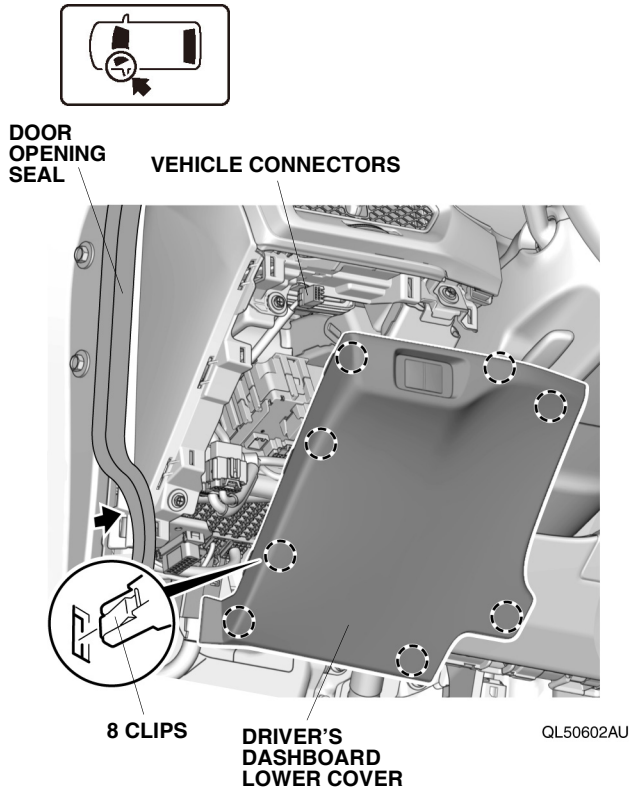


QL71432AH

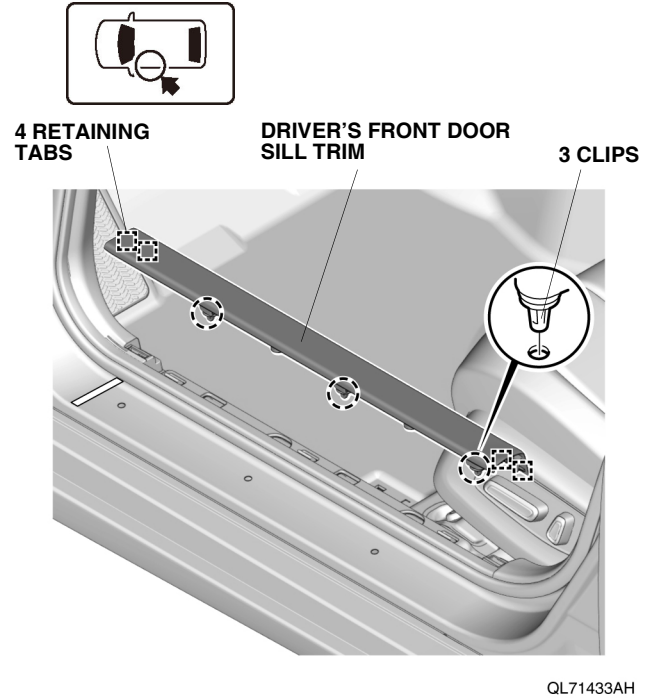
9. Remove the passenger's kick panel.



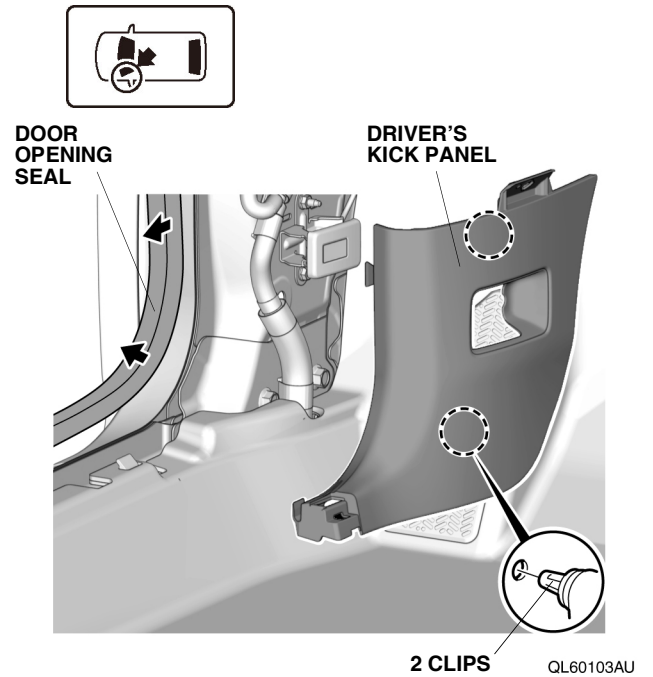
10. Remove the driver's dashboard lower cover.



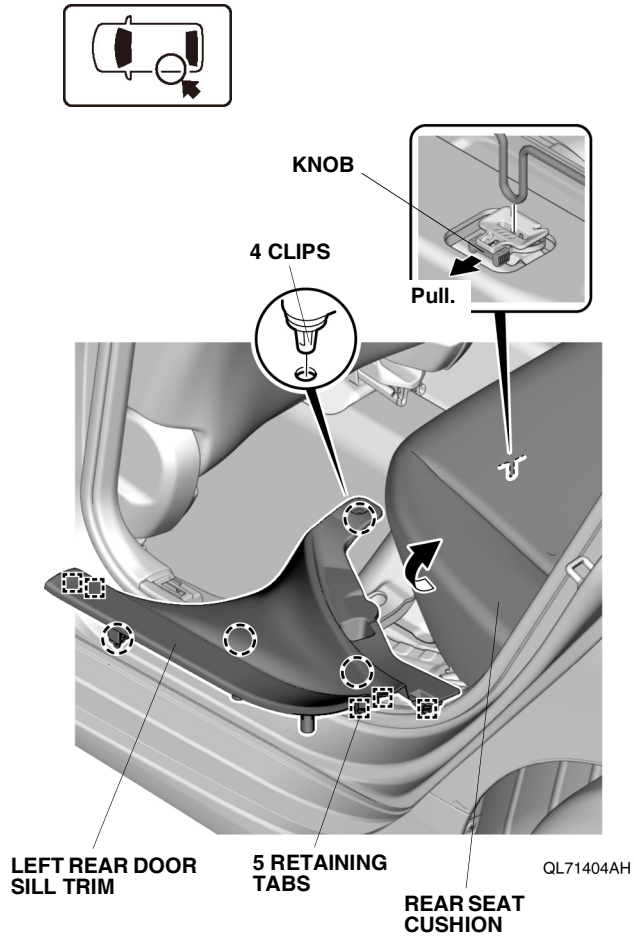
11. Remove the driver's front door sill trim.



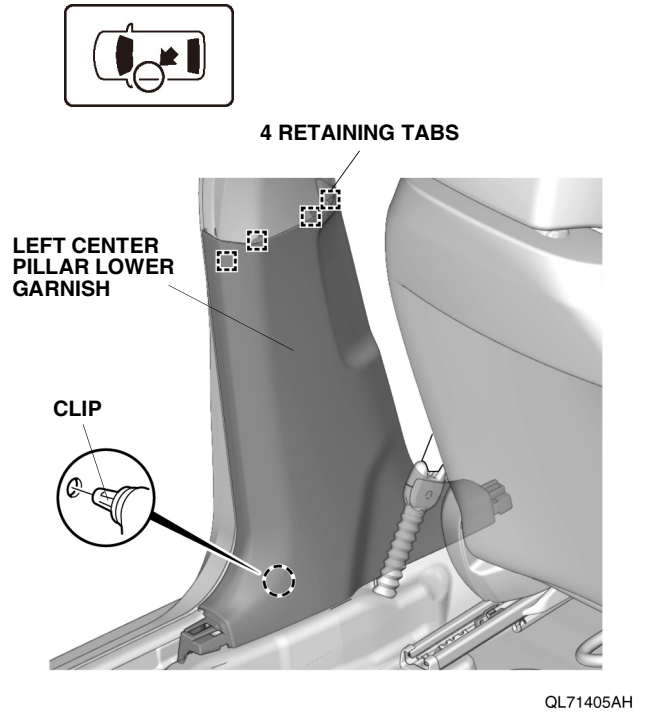
12. Remove the driver's kick panel.



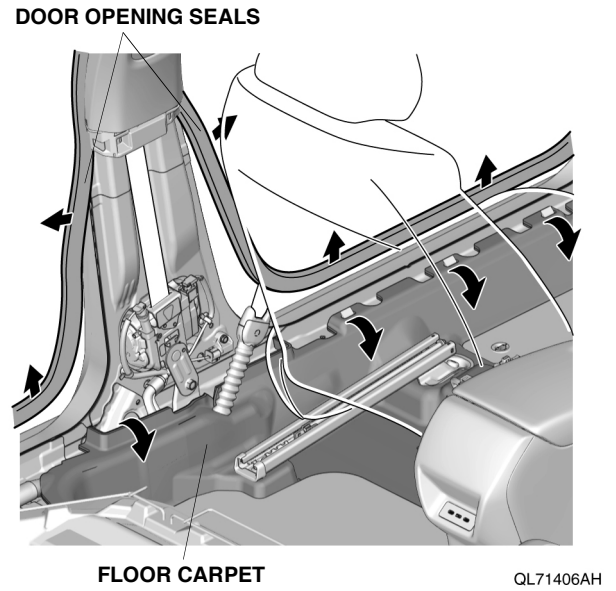
13. Remove the left rear door sill trim.



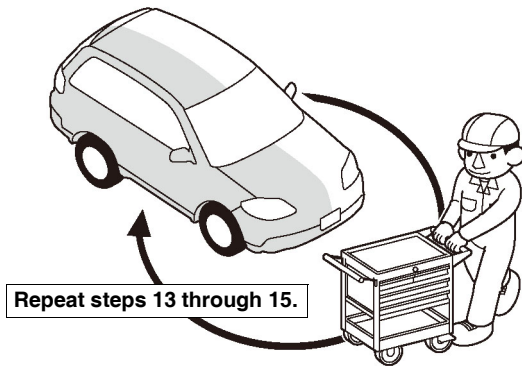
14. Remove the left center pillar lower garnish.



15. Release the floor carpet.

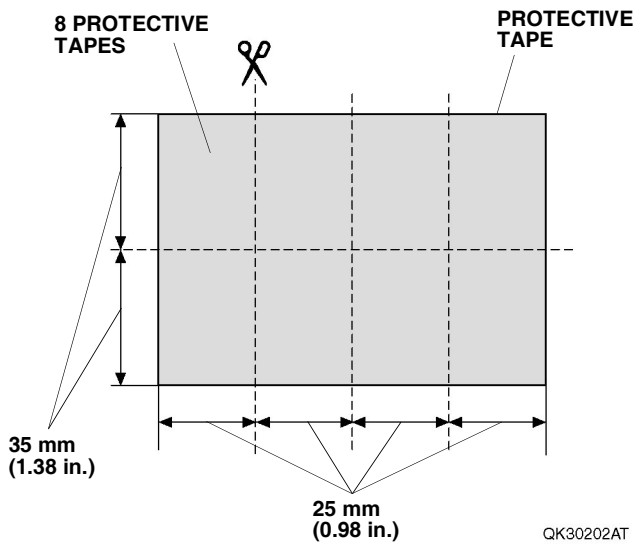


16. Repeat the same procedures on the other side.



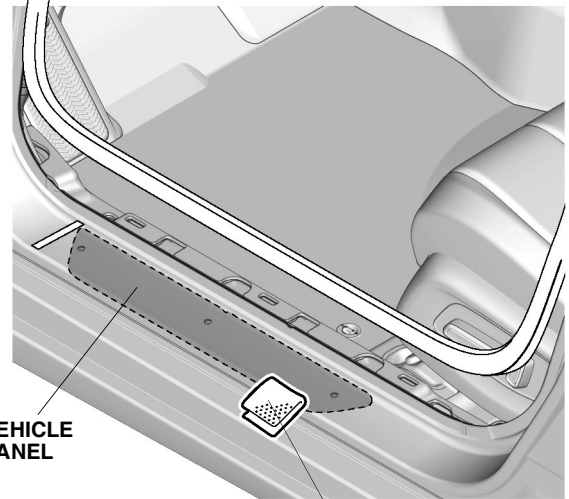
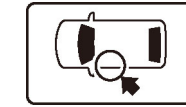
Q9D1014AM

17. Cut the protective tape.



18. Clean the vehicle panel.

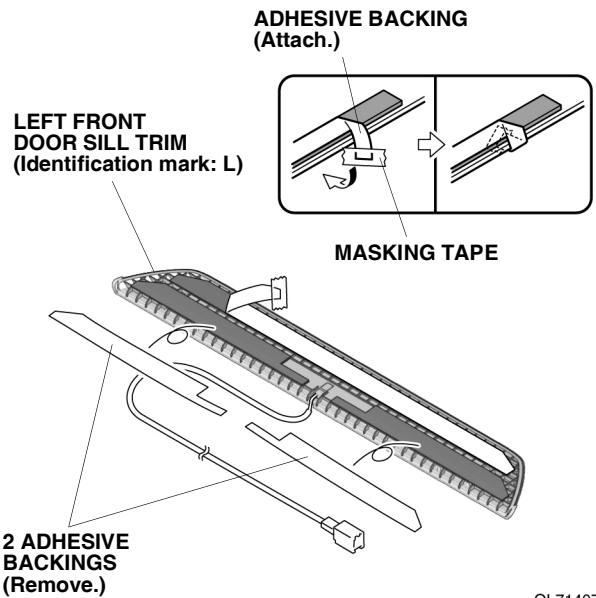
NOTE
Allow to dry thoroughly.



QLN0201AT

19. Temporarily attach the adhesive backings.

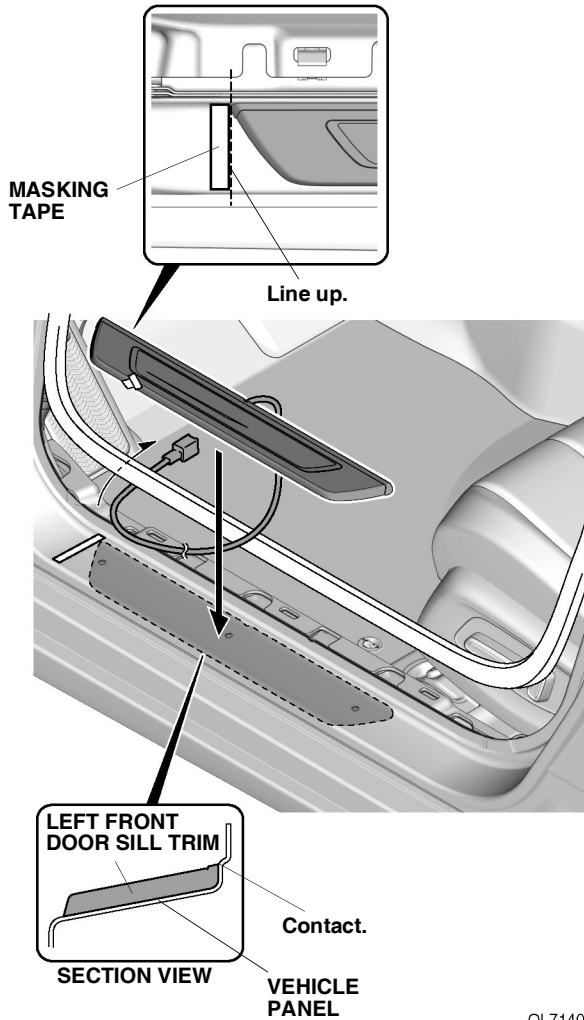
NOTE
Make sure to check the identification mark before installation.



QL71407AH

20. Remove the adhesive backings.

21. Line up the left front door sill trim.

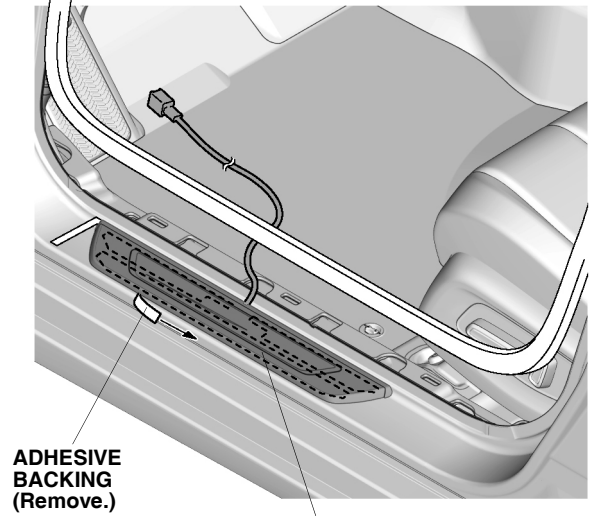


QL71408BH

22. Secure the left front door sill trim.

NOTE

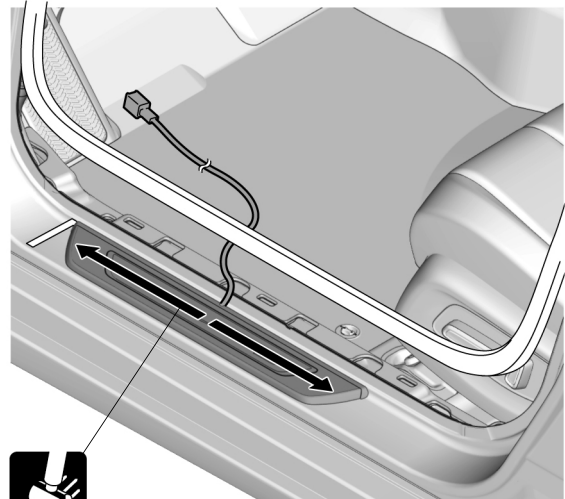
Check the position of the double-sided adhesive tapes and make sure to press firmly.



QL71409CH



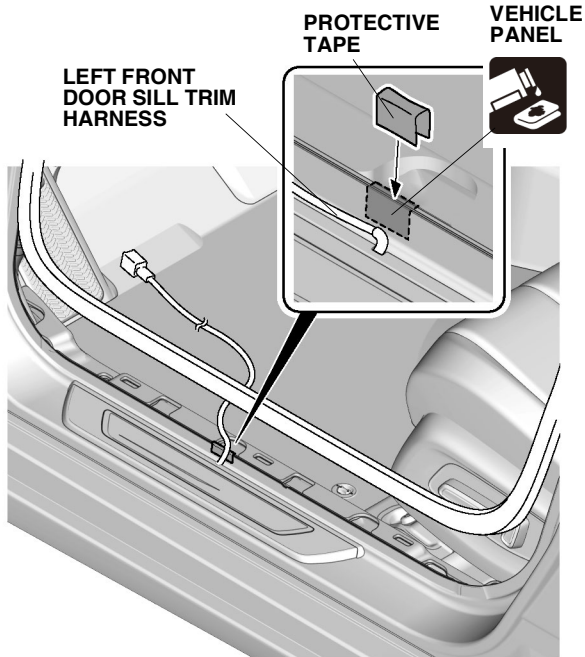
23. Secure the left front door sill trim.



QL71410AH

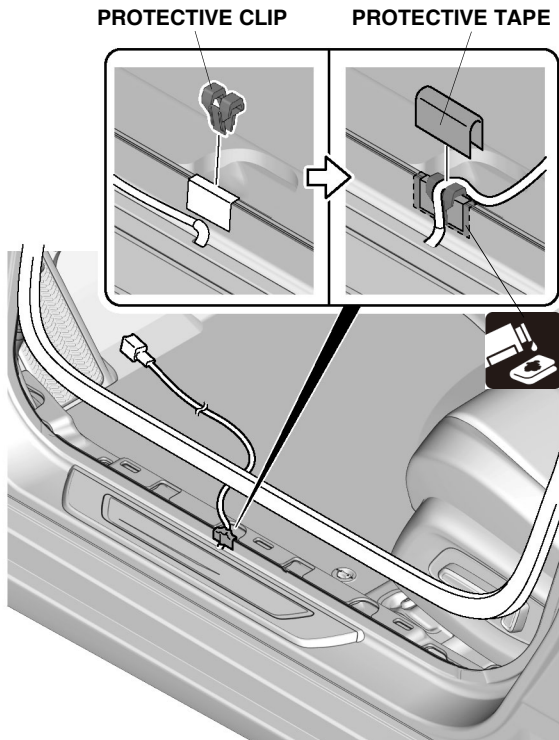
24. Remove the masking tape.

25. Attach protective tape.



QL71411BH

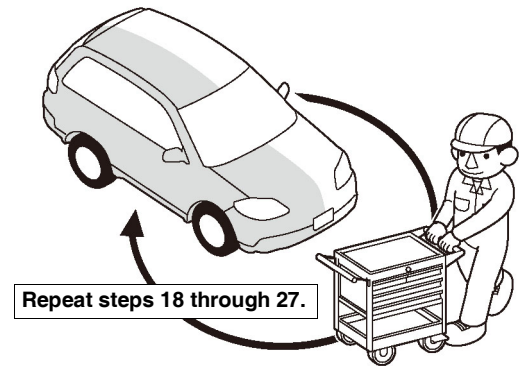
26. Install the protective clip.



QL71412BH

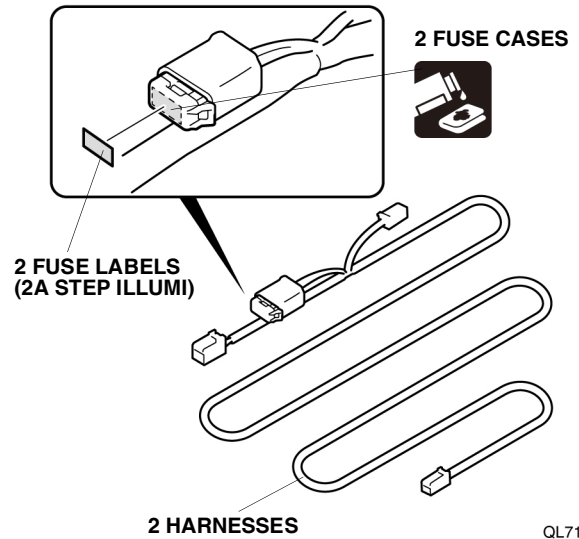
27. Secure the left front door sill trim harness.

28. Repeat the same procedures on the other side.



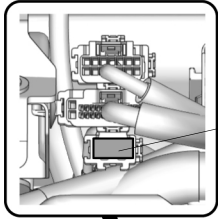
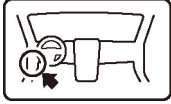
Q9D1014AM

29. Attach the fuse labels.

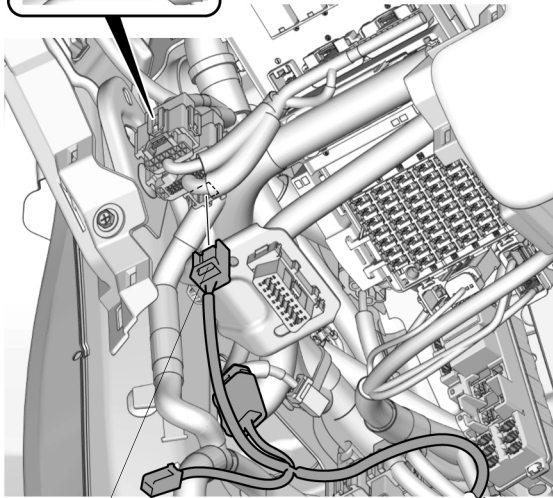


QL71413AH

30. Plug the harness connector.



VEHICLE 4-PIN CONNECTOR



HARNESS 4-PIN CONNECTOR

QL71414AH

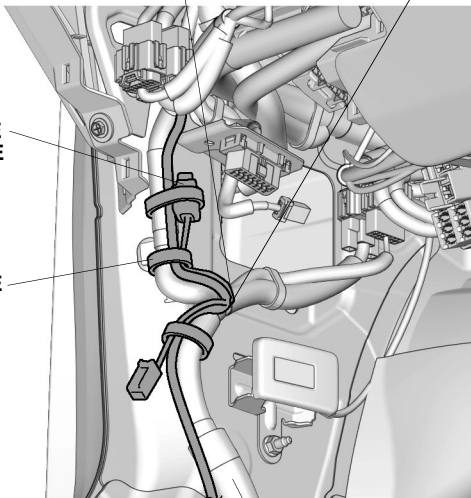
31. Secure the harness and fuse case.

BRANCH OF VEHICLE HARNESS

BRANCH OF HARNESS
(Line up with the branch of vehicle harness.)

FUSE CASE

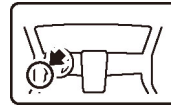
3 WIRE TIES



VEHICLE HARNESS

QL71415BH

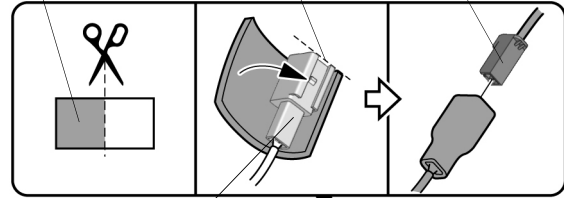
32. Attach the urethane tape and plug the harness connectors together.



URETHANE TAPE
(Cut in half.)

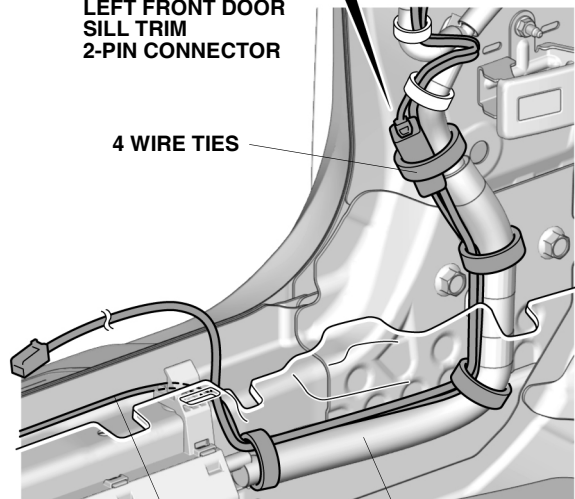
Line up with the end of connector.

HARNESS 2-PIN CONNECTOR



LEFT FRONT DOOR SILL TRIM 2-PIN CONNECTOR

4 WIRE TIES



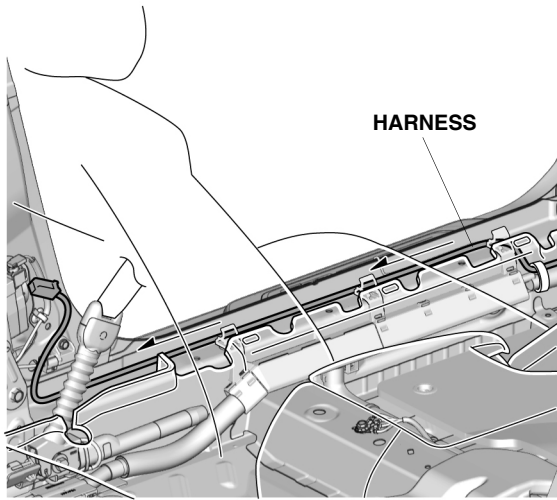
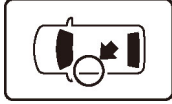
LEFT FRONT DOOR SILL TRIM HARNESS

VEHICLE HARNESS

QL71416AH

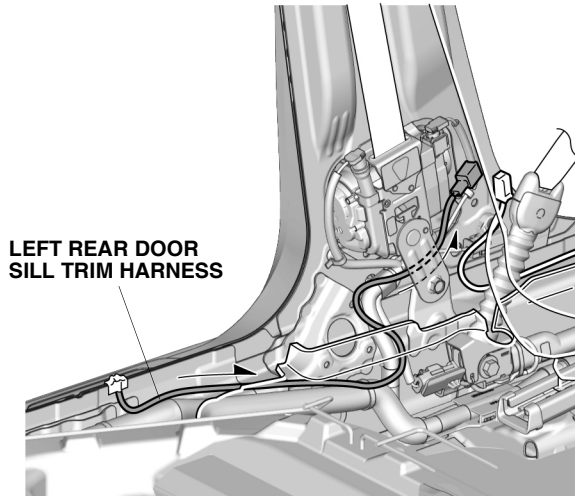
33. Secure the connectors, harness and left front door sill trim harness.

34. Route the harness.



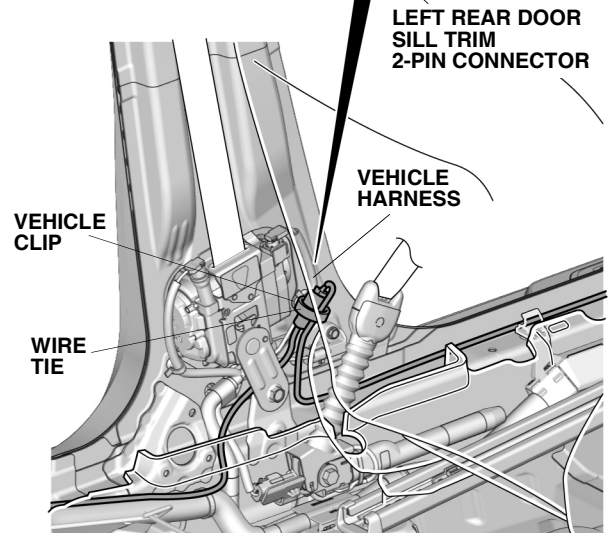
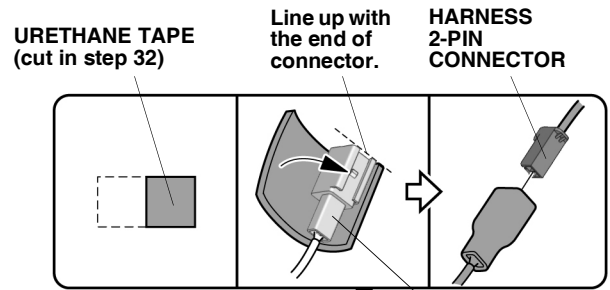
QL71417AH

35. Route the left rear door sill trim harness.



QL71430AH

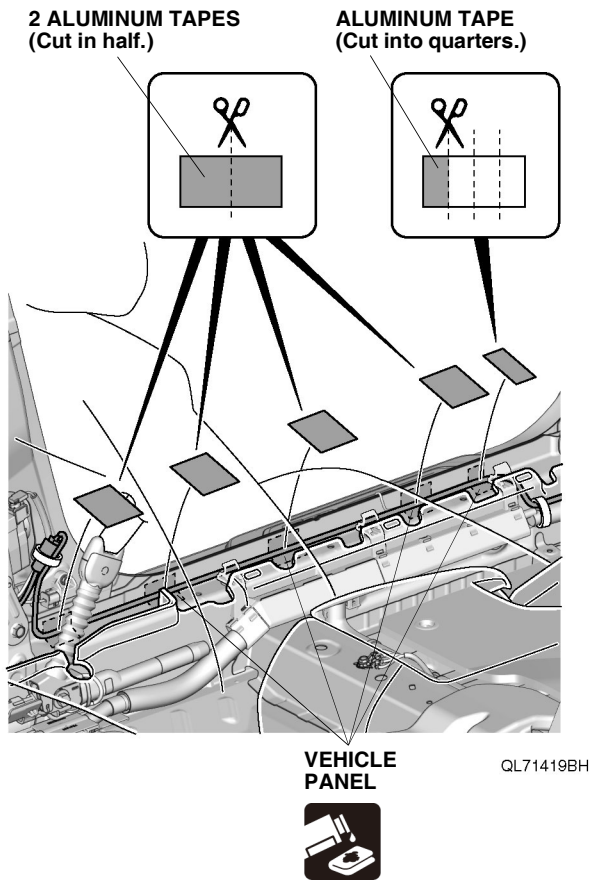
36. Attach the urethane tape and plug the harness connectors together.



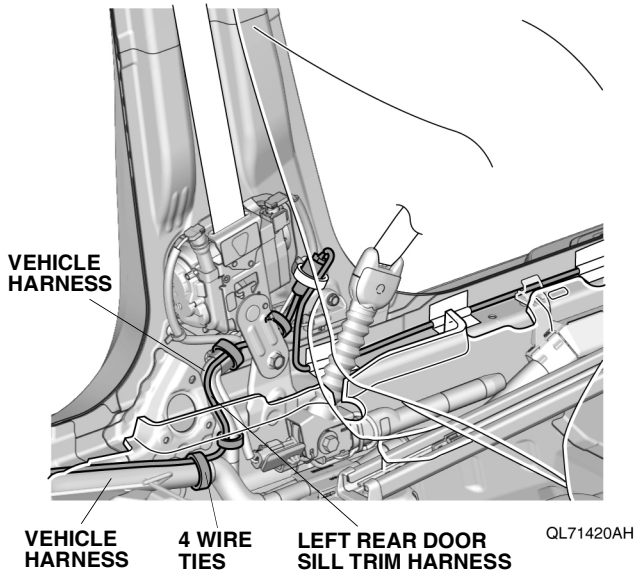
QL71418AH

37. Secure the connectors and harness.

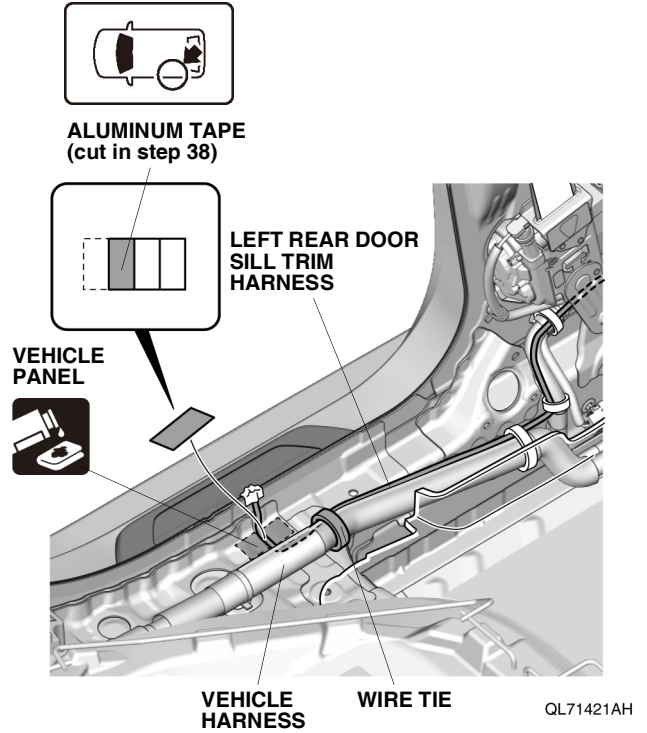
38. Secure the harness and left front door sill trim harness.



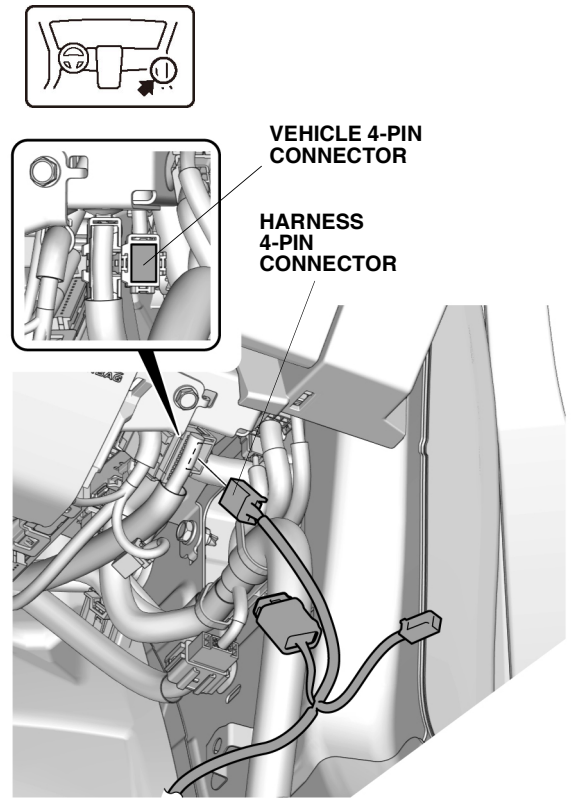
39. Secure the left rear door sill trim harness.



40. Secure the left rear door sill trim harness.



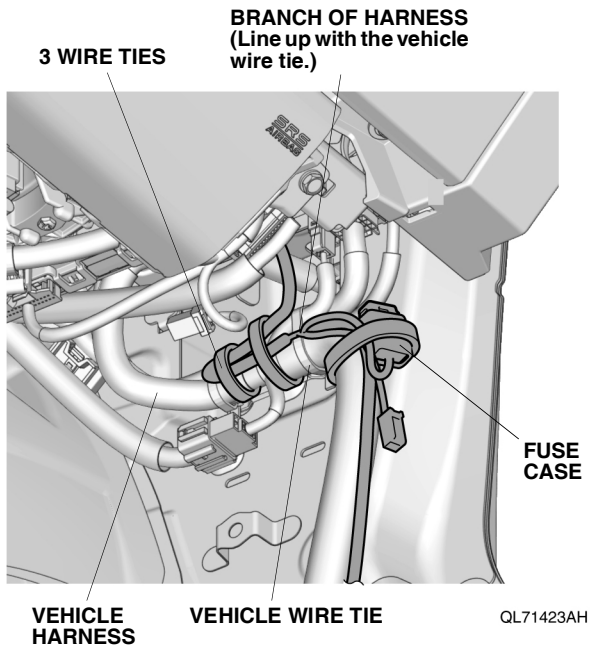
41. Plug the harness connector.



42. Choose one of these options.

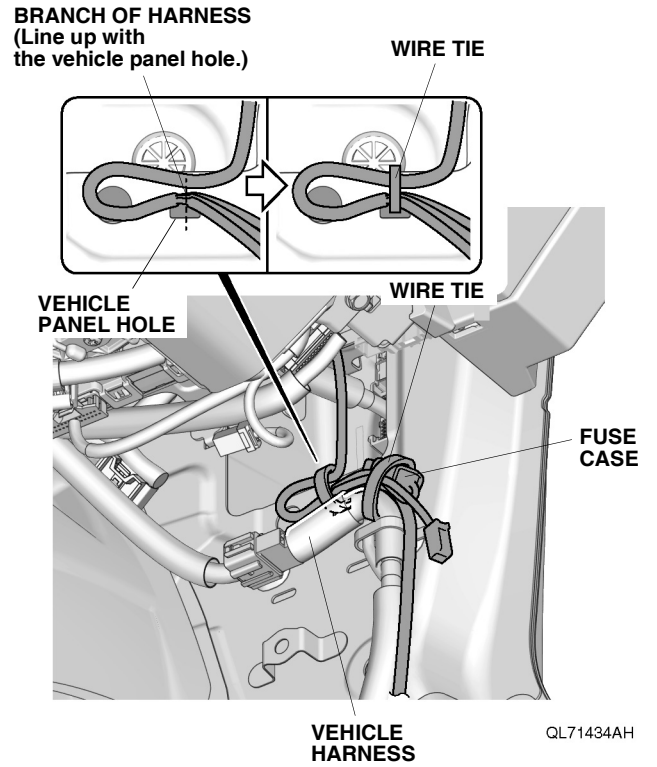
- | | |
|--------------------------------|---------------|
| • With premium audio system | Go to step 43 |
| • Without premium audio system | Go to step 44 |

43. Secure the harness and fuse case.

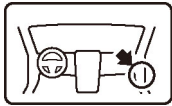


Go to step 45

44. Secure the harness and fuse case.



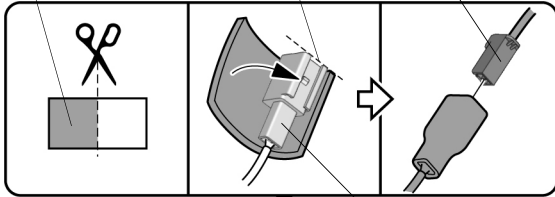
45. Attach the urethane tape and plug the harness connectors together.



URETHANE TAPE
(Cut in half.)

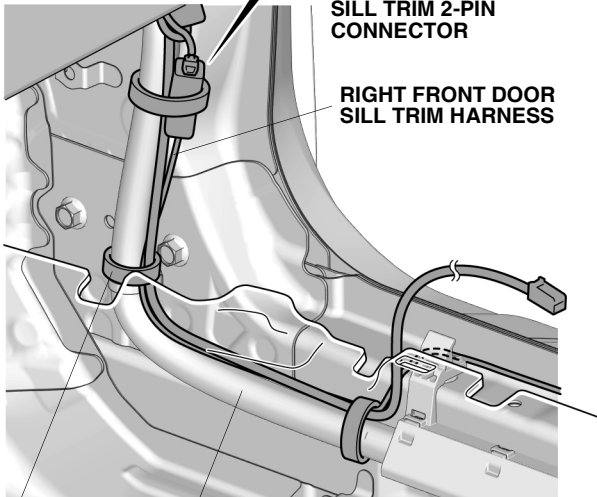
Line up with
the end of
connector.

HARNESS
2-PIN
CONNECTOR



RIGHT FRONT DOOR
SILL TRIM 2-PIN
CONNECTOR

RIGHT FRONT DOOR
SILL TRIM HARNESS



3 WIRE TIES

VEHICLE
HARNESS

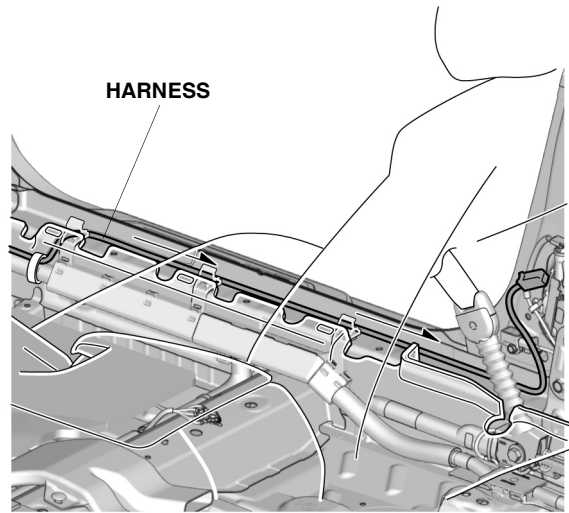
QL71424AH

46. Secure the connectors, harness and right front door sill trim harness.

47. Route the harness.

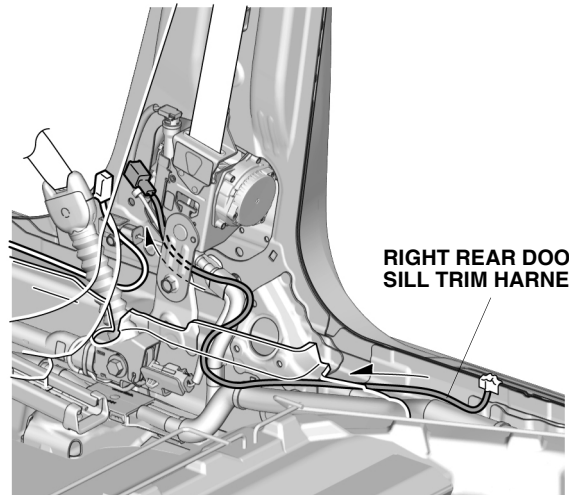


HARNESS



QL71425AH

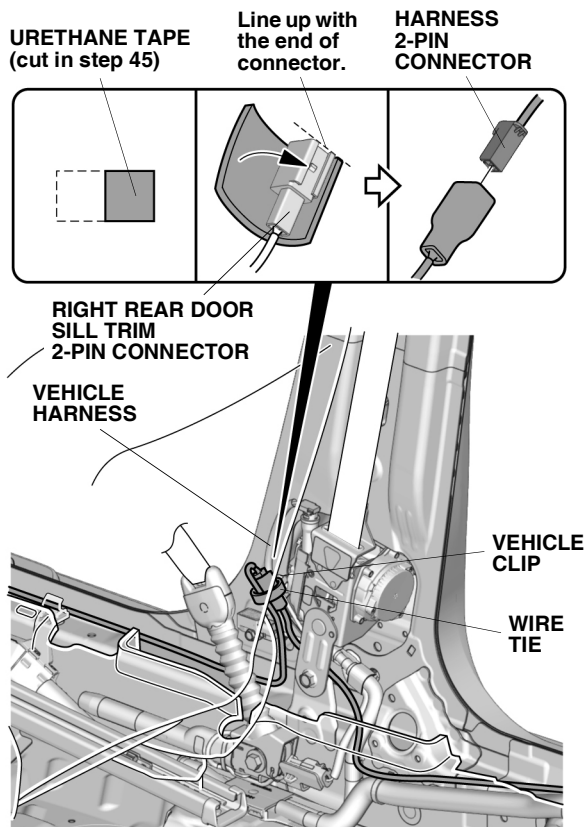
48. Route the right rear door sill trim harness.



RIGHT REAR DOOR
SILL TRIM HARNESS

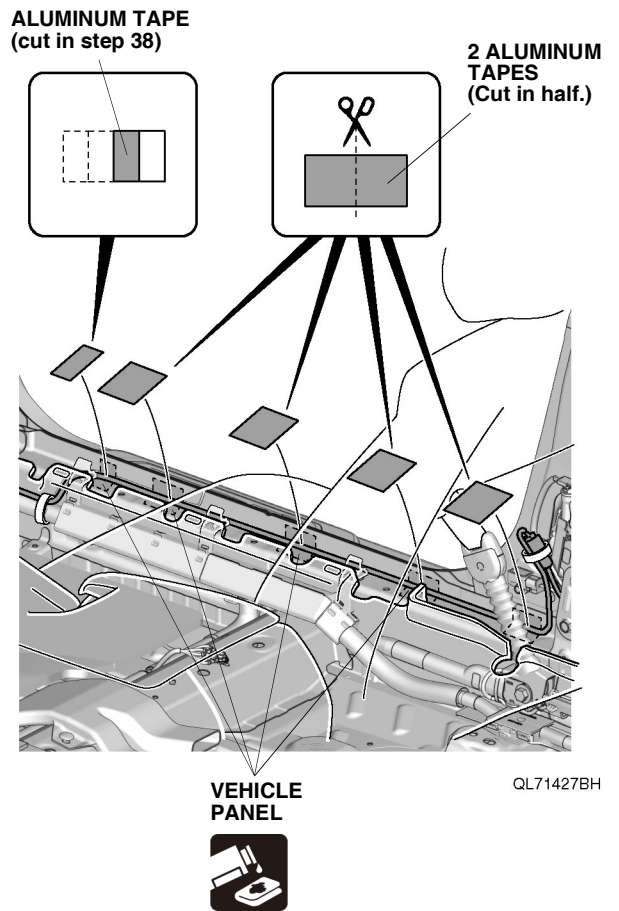
QL71431AH

49. Attach the urethane tape and plug the harness connectors together.

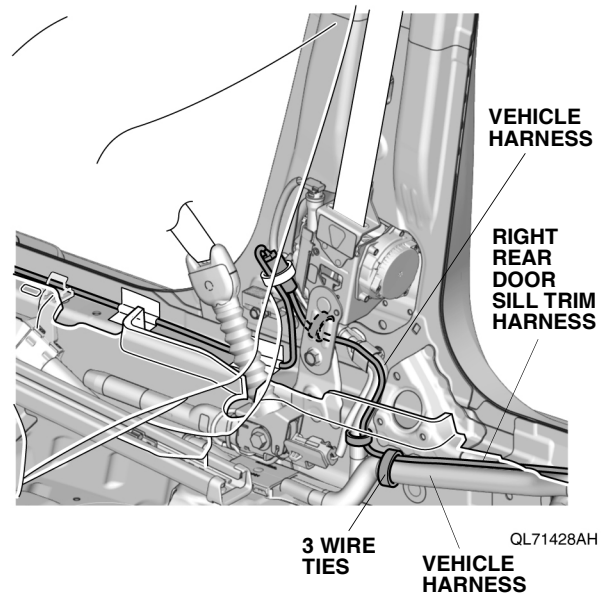


50. Secure the connectors and harness.

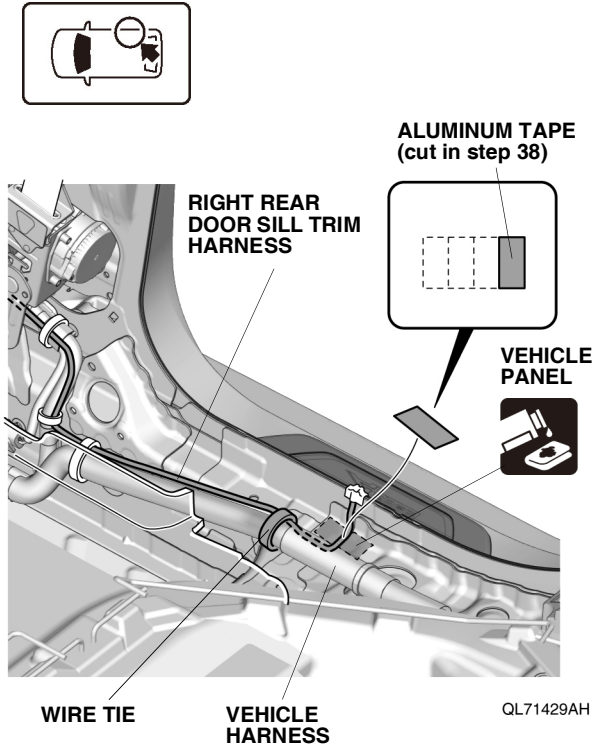
51. Secure the harness and right front door sill trim harness.



52. Secure the right rear door sill trim harness.



53. Secure the right rear door sill trim harness.



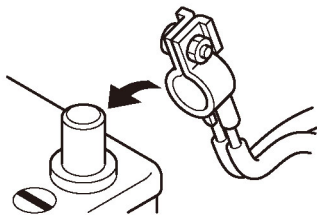
54. Check that all parts are installed and properly routed.

NOTE

- Check that all harnesses are not pulled or pinched.
- Make sure all clips and wire ties are securely installed.

55. Install all removed parts.

56. Connect the negative cable to the battery.



57. Check that the door sill trim comes on by opening a door.

58. Make sure all accessories and systems operate properly.

59. If necessary, restore the systems back to normal operation as described in the service information.

60. Press and hold the audio unit power button for 2 seconds to restore the audio and navi (if equipped) system functions.