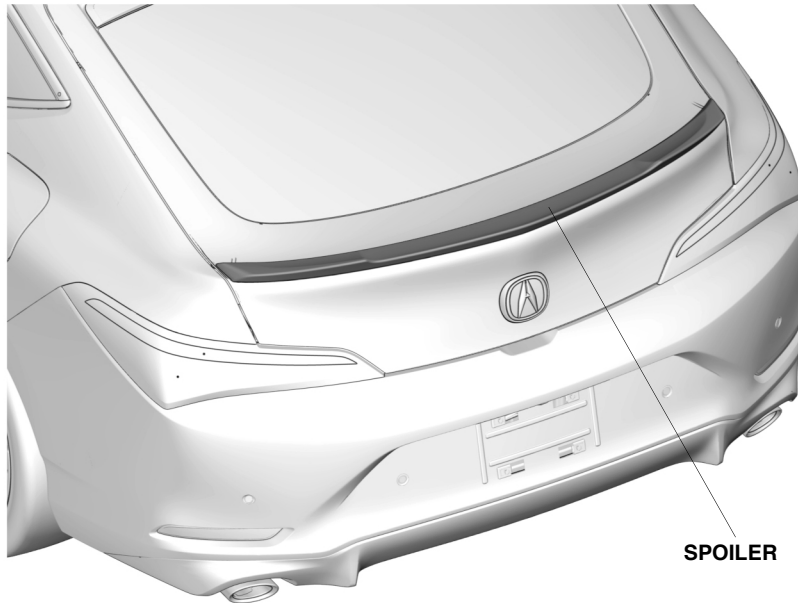




INSTALLATION INSTRUCTIONS

Accessory TAILGATE SPOILER	Application 2023 INTEGRA MODEL SERIES	Publications No. VERSION 1
		Issue Date MAY 2022

GENERAL VIEW



SPOILER

QL62101AU

FOR YOUR SAFETY (Read carefully.)

Warning Symbols

Safety: Your safety, and the safety of others, is important. To help you make informed decisions about service procedures, we have provided safety messages where appropriate. Of course, it is not practical or possible to warn you about all the hazards associated with servicing a vehicle - you must use your own good judgment.

You will find important safety messages preceded by one of following symbols:

*All symbols are not used in all installation instructions.

⚠ DANGER

You will be killed or seriously hurt if you do not follow the instructions.

⚠ WARNING

You can be killed or seriously hurt if you do not follow the instructions.

⚠ CAUTION

You can be hurt if you do not follow the instructions.

NOTICE

Gives advice to prevent damage to the product, vehicle, the environment or other property.

NOTE

Gives helpful information or instructions to be followed when installing this product.

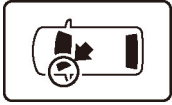


Indicates a prohibited action.

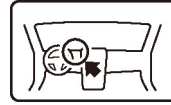
Procedure and Location Icons

These icons indicate the work location and the worker's point of view.

*All icons are not used in all installation instructions.



The location on the vehicle.



The location in the vehicle.
(instrument panel.)



Wear eye protection.



Wear heavy gloves.



Use an assistant.



Place the part on a blanket.



Work perpendicular.



Remove any burrs.



Use touch-up paint and allow to dry.



Tighten to the specified torque.



Apply firm pressure while rolling, especially at the ends, to set the adhesive.



Press firmly.



Clean with isopropyl alcohol.



Return the original part to the client.
(Do not reuse.)

Safety: General

- Observe all safety notes and precautions described in the service information, in addition to those described in this Installation Instruction. Be extremely careful for your safety and the safety of others.
- Be careful not to damage the vehicle or the parts.
- Be extremely careful when handling retaining tabs and clips.
- Note the locations of the parts before removing them so they can be properly installed in their original positions.
- The illustrations may differ slightly from the actual accessory.

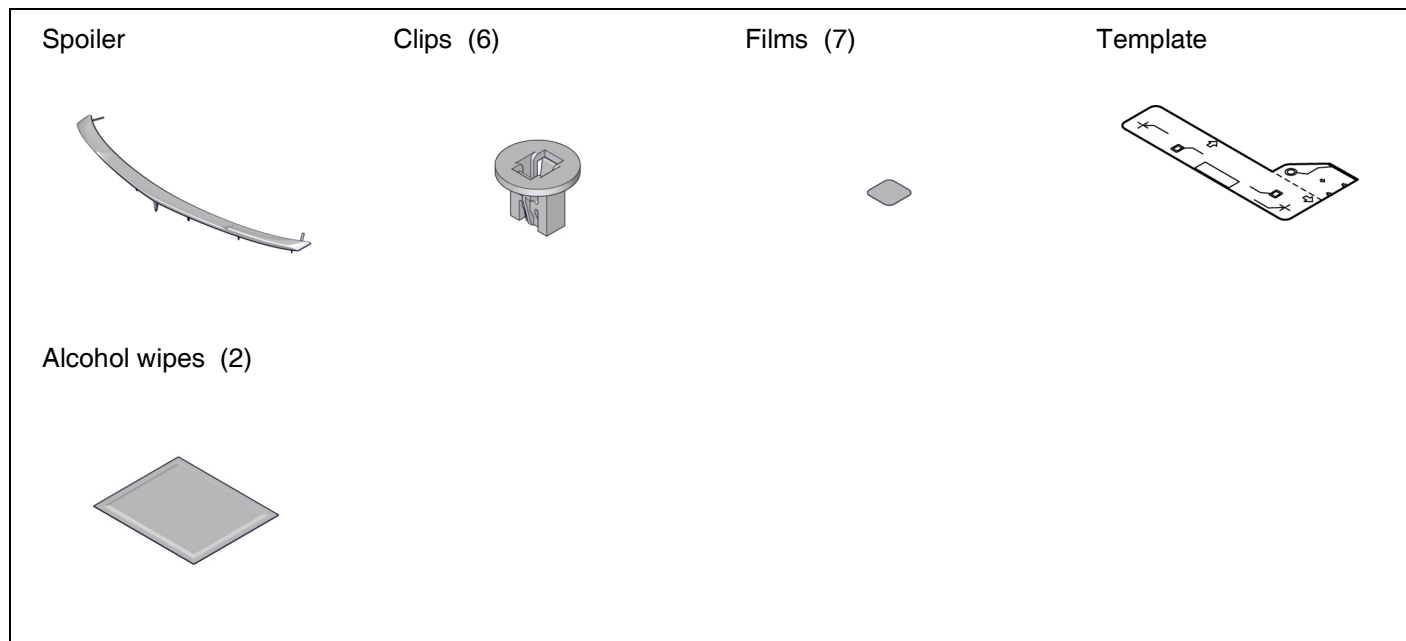
Safety: Accessory

- Always use the parts and tools specified in the installation instructions.
- Do not install the accessory on a dirty surface or in direct sunlight.
- Make sure the ambient air temperature is 60°F (15°C) or above when installing accessories that use adhesive material.

- When pressing the accessory firmly with the palm of your hand, be careful not to damage it or the vehicle.
- When applying adhesive material, make sure it is lined up properly before attaching. Once the adhesive material touches the surface, do not try to remove it. If you do, you could damage the part.
- Do not wash the vehicle for 24 hours to allow the adhesive to cure.

PARTS LIST

Tailgate Spoiler Kit (P/N 08F02-3S5-200)



REQUIRED TOOLS AND SUPPLIES

- | | | |
|--|--|---|
| <ul style="list-style-type: none"> • Drill • Touch-up paint • 12 mm Step drill • Ratchet | <ul style="list-style-type: none"> • Center punch • Masking tape • Nylon string • File | <ul style="list-style-type: none"> • Scissors • Ruler • Phillips screwdriver • 10 mm Socket |
|--|--|---|

- Needle nose pliers

- 3 mm, 6 mm, 8 mm, and 12 mm Drill bits

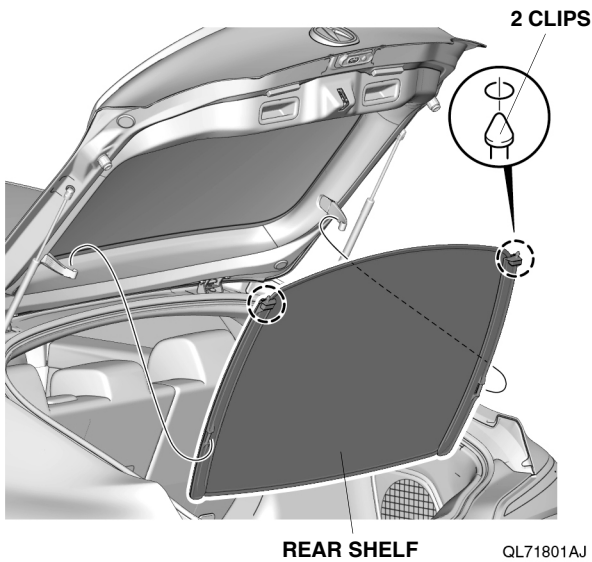
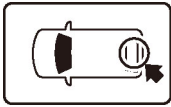
- Eye protection (face shield, safety goggles)
- 2 CLIPS

The following tools are available through the Acura Tool and Equipment Program:

- Trim Tool Set (T/N SOJATP2014)
- Rubber Roller (T/N M)

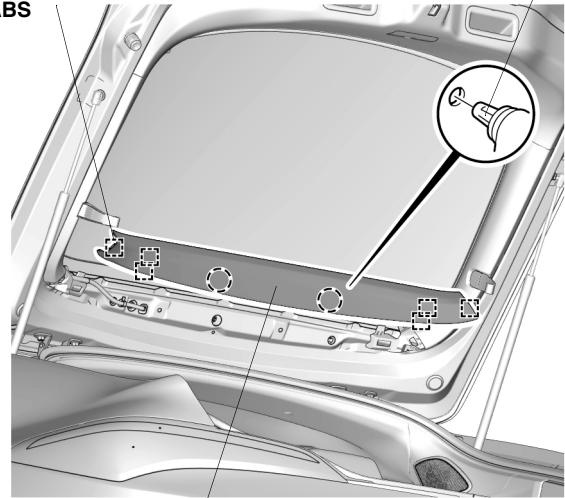
INSTALLATION

1. Remove the rear shelf.



2. Remove the tailgate upper trim panel.

6 RETAINING TABS

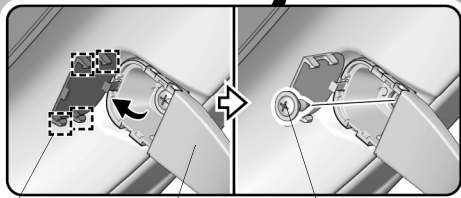
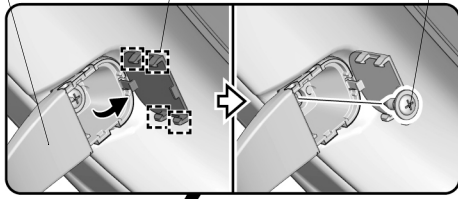


TAILGATE UPPER TRIM PANEL

QL71802AJ

3. Remove the left and right rear shelf hooks.

LEFT REAR SHELF HOOK 4 RETAINING TABS SELF-TAPPING SCREW

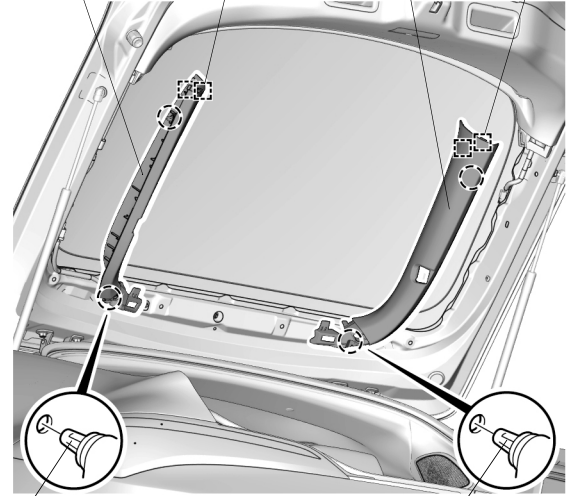


4 RETAINING TABS RIGHT REAR SHELF HOOK SELF-TAPPING SCREW QL71803AJ

4. Remove the left and right tailgate side trim panels.

RIGHT TAILGATE SIDE TRIM PANEL

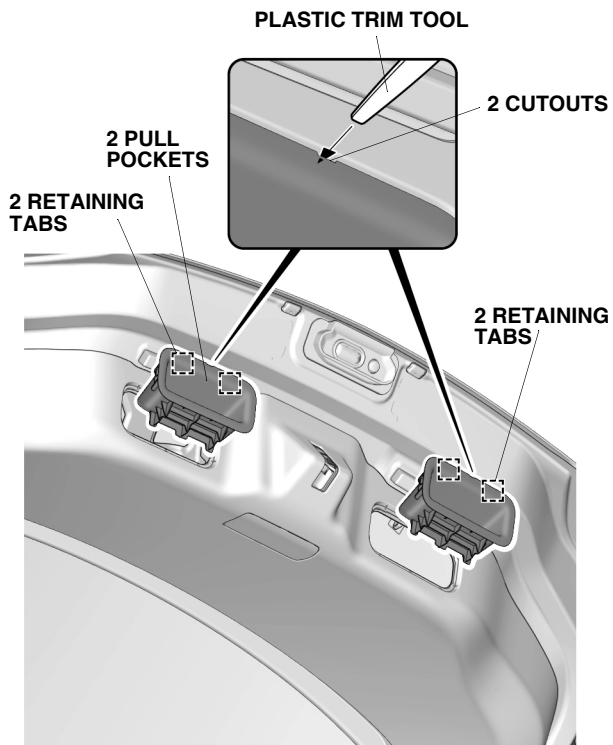
LEFT TAILGATE SIDE TRIM PANEL 2 RETAINING TABS 2 RETAINING TABS



2 CLIPS

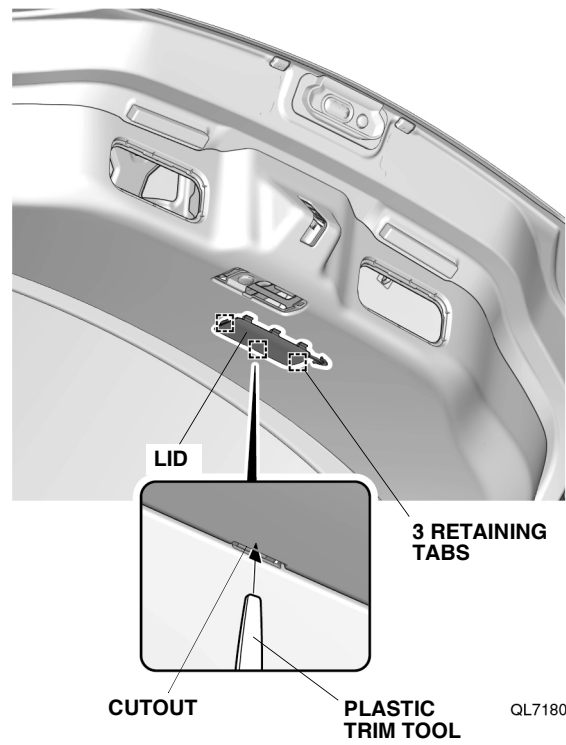
2 CLIPS QL71804BJ

5. Remove the pull pockets.



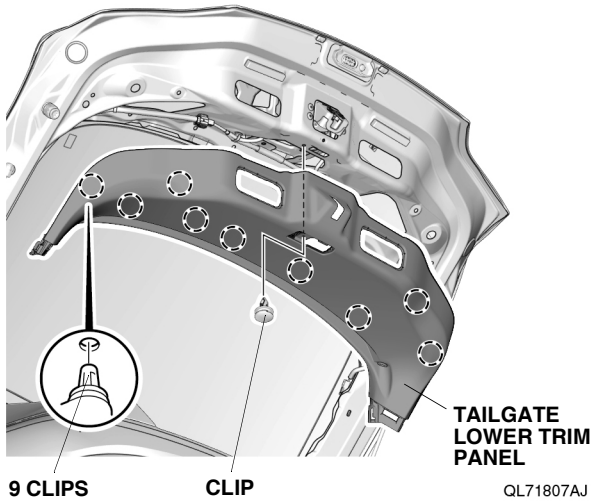
QL71805AJ

6. Remove the lid.

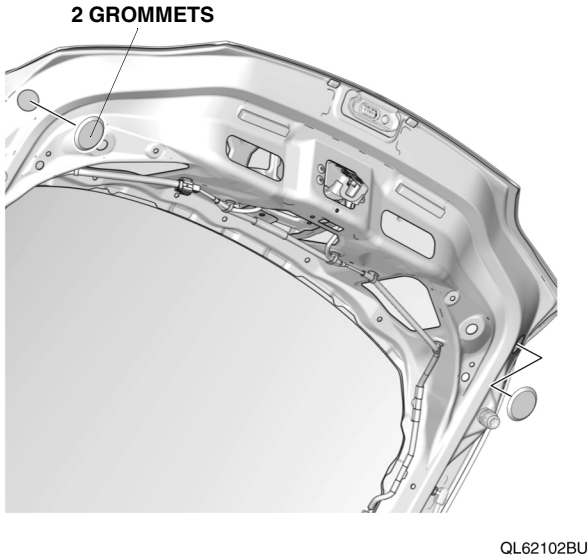


QL71806AJ

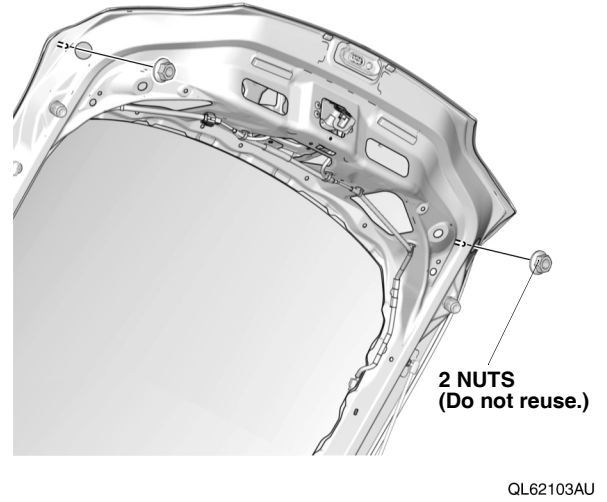
7. Remove the tailgate lower trim panel.



8. Remove the grommets.

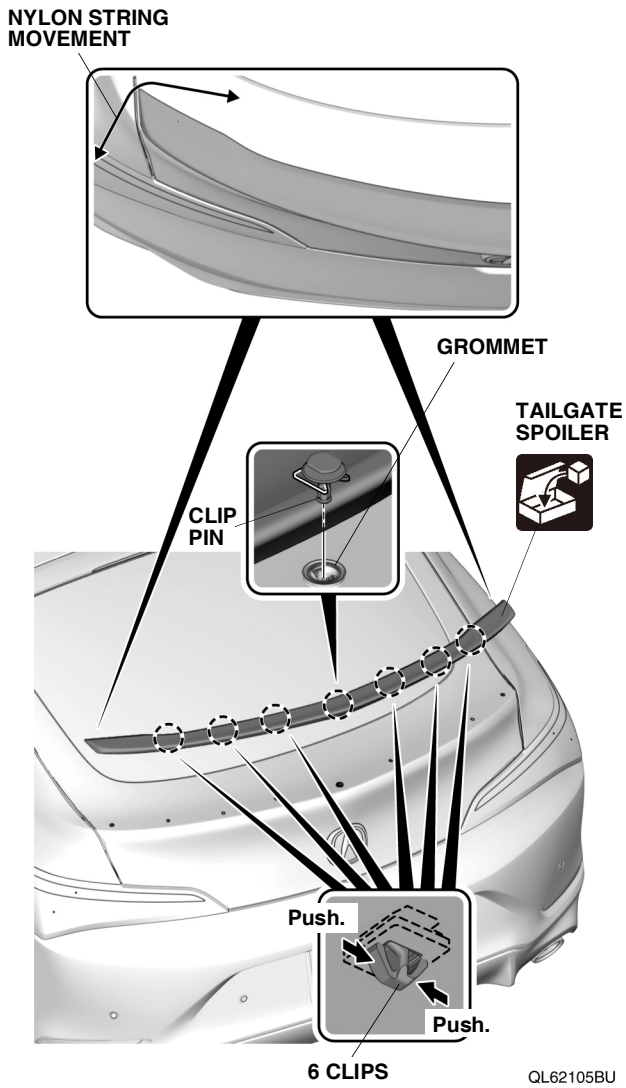


9. Remove the nuts.



10. Remove the tailgate spoiler.

NOTE
<ul style="list-style-type: none"> • Do not damage the tailgate when removing the tailgate spoiler with the nylon string. • Make sure to thoroughly remove the adhesive tape from the tailgate.

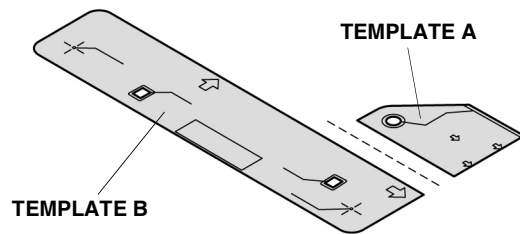


11. Remove the grommet.



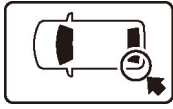
QL62122AU

12. Cut the template.



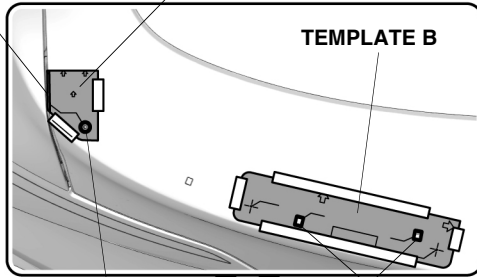
QL62106AU

13. Secure the templates A and B.



Line up with the edge of the tailgate.

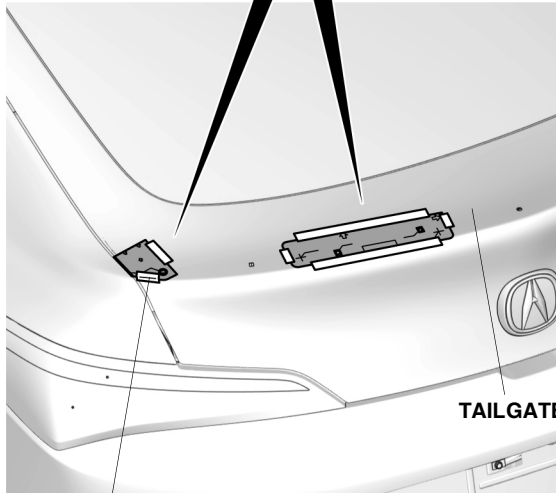
TEMPLATE A



TEMPLATE B

Line up with the hole.

Line up with the holes.



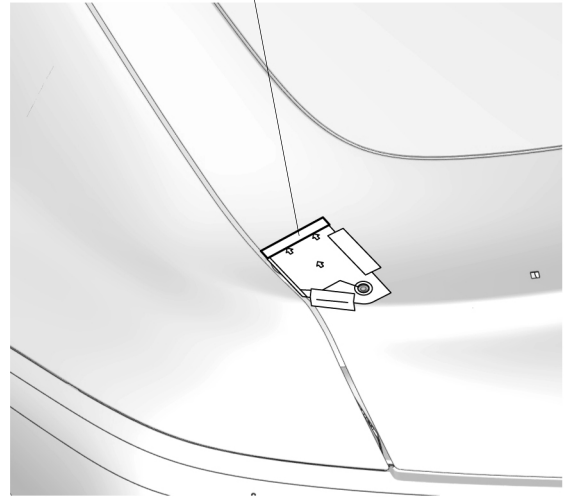
TAILGATE

MASKING TAPE

QL62107AU

14. Attach the masking tape.

MASKING TAPE
(Line up with the edge of Template A.)

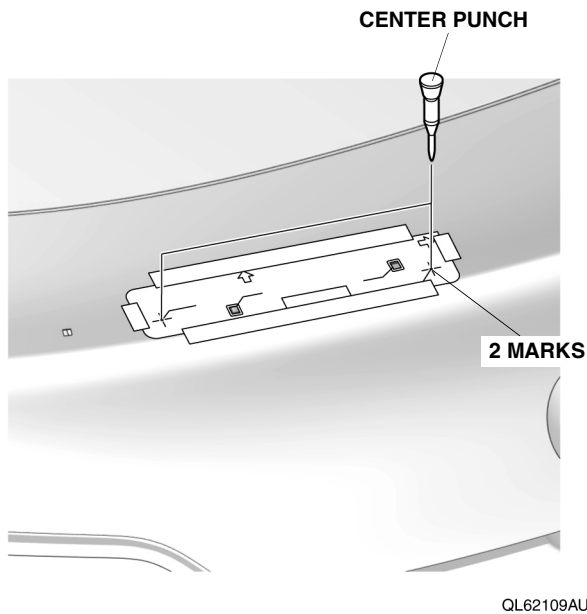


QL62108AU

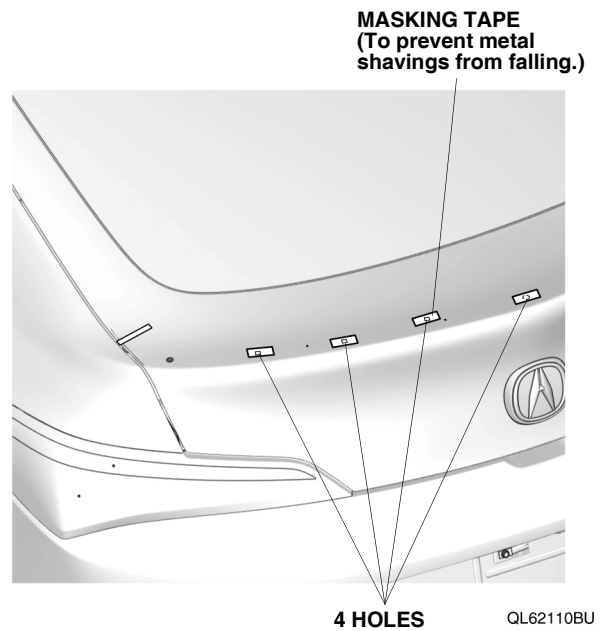
15. Remove the template A.
16. Mark the tailgate.

NOTICE

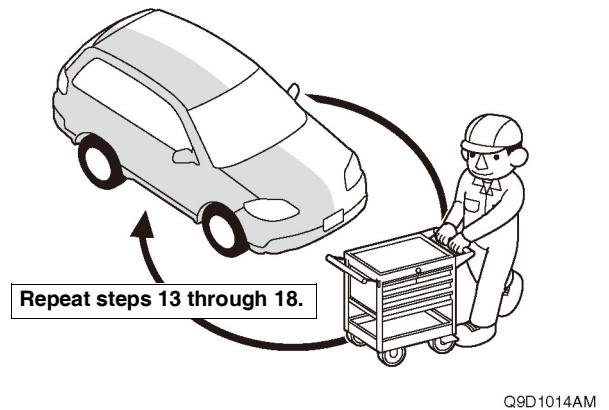
Set the center punch to the minimum setting.



17. Remove the template B.
18. Attach masking tape to protect the vehicle.

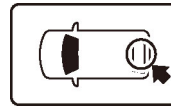


19. Flip the templates A and B.
20. Repeat the same procedures on the other side.



21. Drill the tailgate.

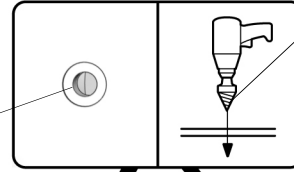
NOTE
Make sure to drill the correct positions.



12 mm STEP DRILL



2 VEHICLE HOLES



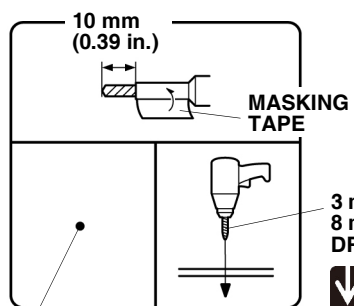
TAILGATE

QL62111BU

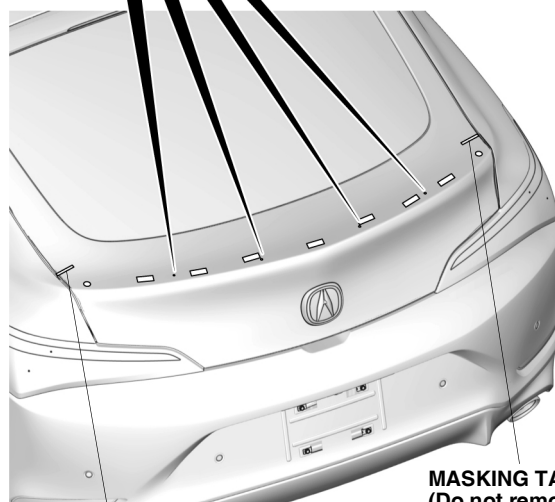
22. Drill the tailgate.

NOTE

Make sure to drill the correct positions.



●: 4 MARKS



MASKING TAPE
(Do not remove.)

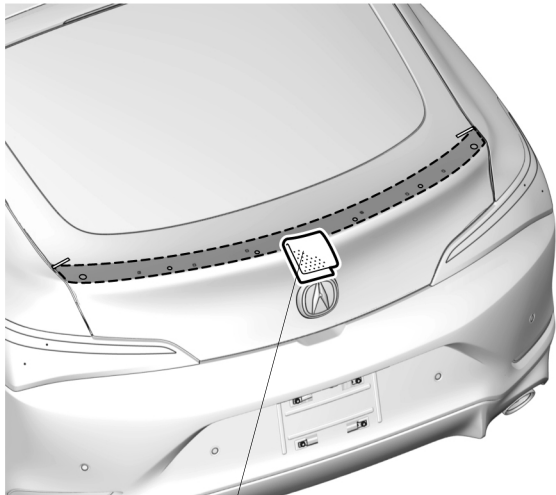
MASKING TAPE
(Do not remove.)

QL62112CU

23. Remove the masking tape.
24. Clean the attaching area.

NOTE

Allow to dry thoroughly.



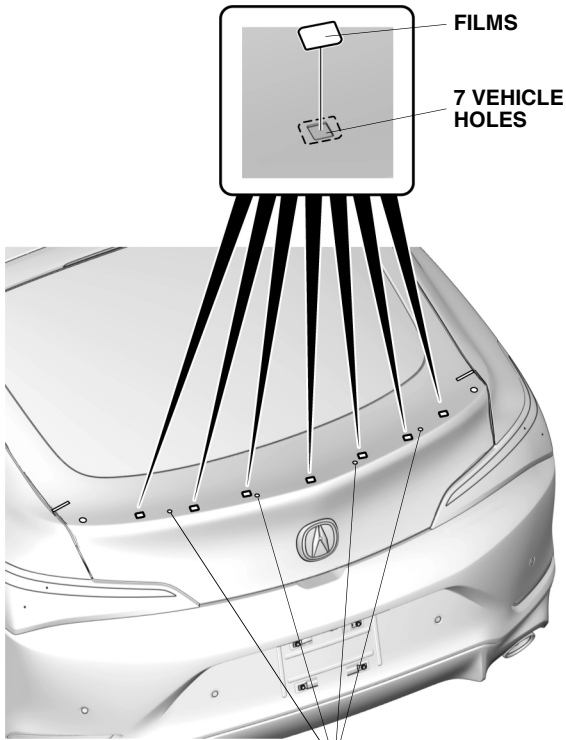
2 ALCOHOL WIPES

QL62114AU

25. Attach the films.

NOTE

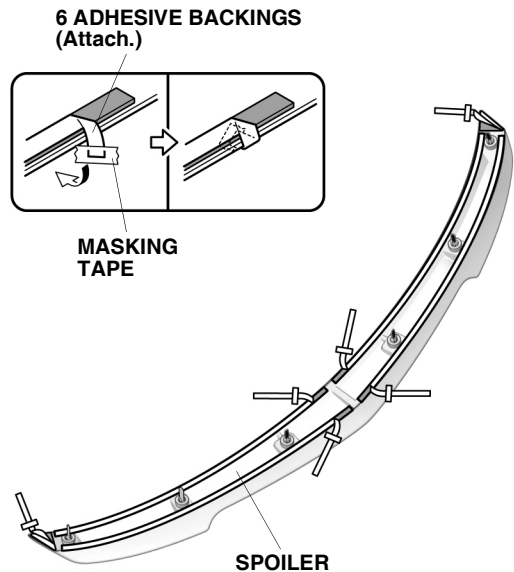
Make sure that the film is attached in the correct position and orientation.



4 DRILLED HOLES
(Do not attach.)

QL62115AU

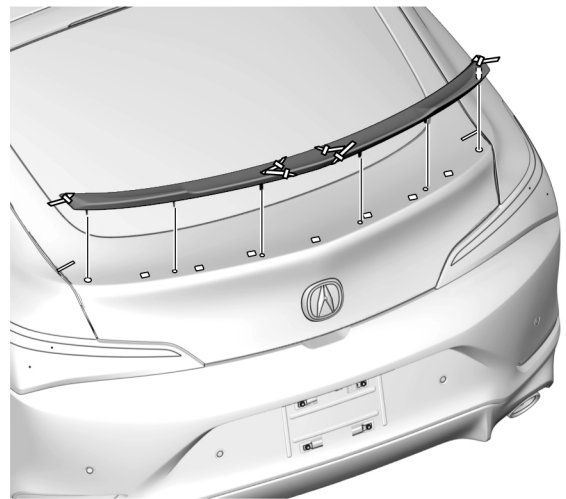
26. Temporarily attach the adhesive backings.



SPOILER

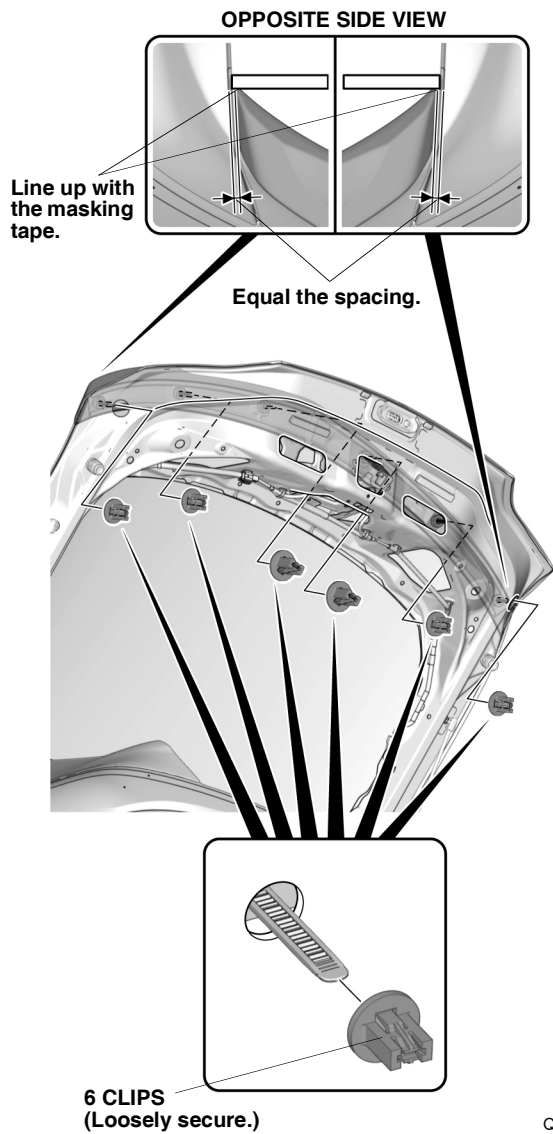
QL62116AU

27. Install the spoiler.



QL62117AU

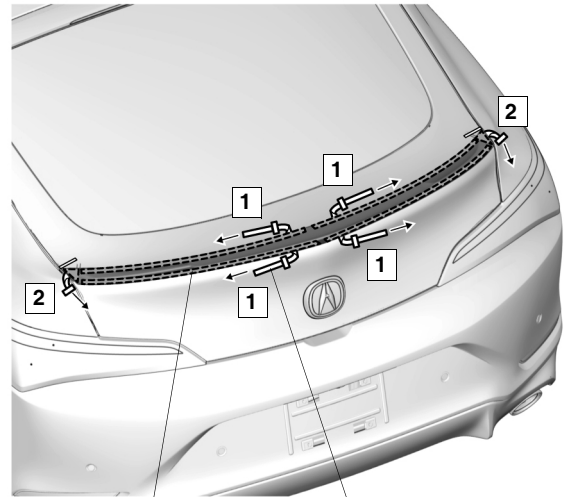
28. Loosely secure the spoiler.



29. Secure the spoiler.

NOTE

- Install in the order shown.
- Check the position of the double-sided adhesive tape and make sure to press firmly.



6 DOUBLE-SIDED ADHESIVE TAPES

6 ADHESIVE BACKINGS
(Remove.)

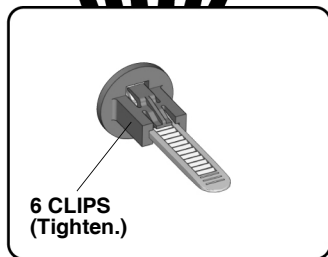
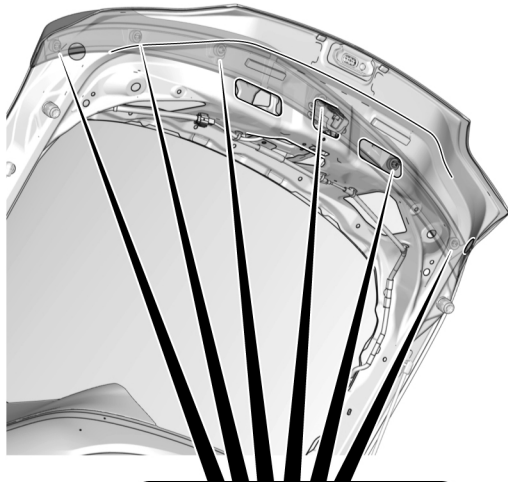
QL62119AU



30. Remove the masking tape.
31. Secure the spoiler.

NOTE

Do not excessively push in the clip. Make sure to adjust the clip to install the spoiler.



QL62120BU

32. Secure the spoiler.



QL62121AU

- 33. Check that all parts are installed properly.
- 34. Install all removed parts.

NOTE

Make sure to secure the clips and the retaining tabs properly to avoid separation.