



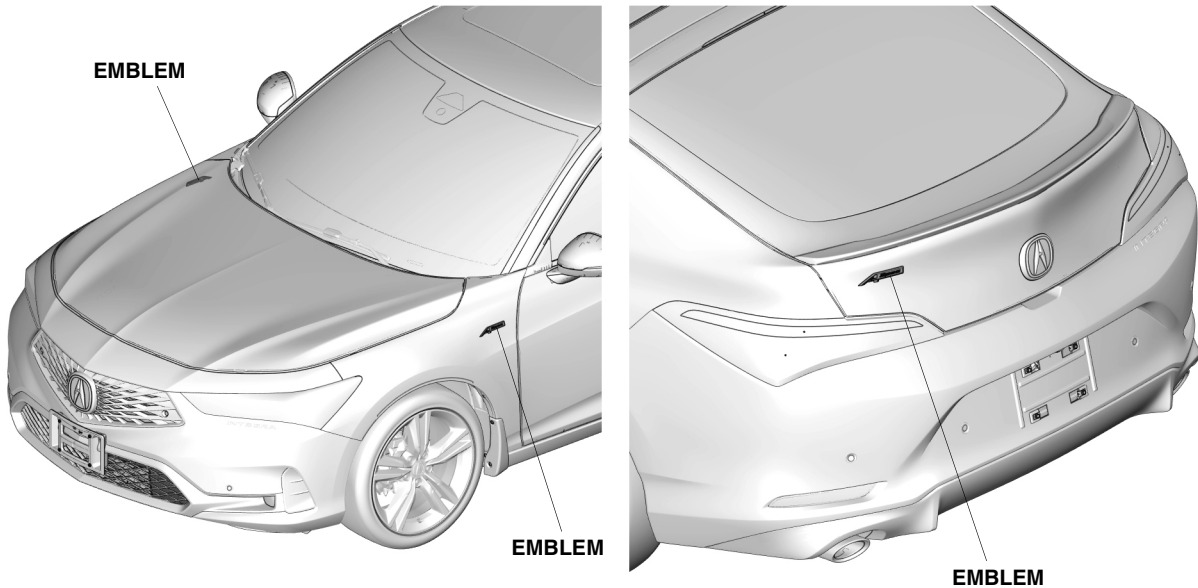
INSTALLATION INSTRUCTIONS

Accessory
A-Spec EMBLEM

Application
2023 INTEGRA
MODEL SERIES

Publications No.
VERSION 1
Issue Date
MAY 2022

GENERAL VIEW



QL63001AJ

FOR YOUR SAFETY (Read carefully.)

Warning Symbols

Safety: Your safety, and the safety of others, is important. To help you make informed decisions about service procedures, we have provided safety messages where appropriate. Of course, it is not practical or possible to warn you about all the hazards associated with servicing a vehicle - you must use your own good judgment.

You will find important safety messages preceded by one of following symbols:

*All symbols are not used in all installation instructions.

 **DANGER**

You will be killed or seriously hurt if you do not follow the instructions.

 **WARNING**

You can be killed or seriously hurt if you do not follow the instructions.

 **CAUTION**

You can be hurt if you do not follow the instructions.

NOTICE

Gives advice to prevent damage to the product, vehicle, the environment or other property.

NOTE

Gives helpful information or instructions to be followed when installing this product.

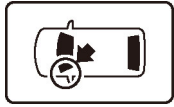


Indicates a prohibited action.

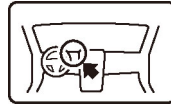
Procedure and Location Icons

These icons indicate the work location and the worker's point of view.

*All icons are not used in all installation instructions.



The location on the vehicle.



The location in the vehicle.
(instrument panel.)



Wear eye protection.



Wear heavy gloves.



Use an assistant.



Place the part on a blanket.



Work perpendicular.



Remove any burrs.



Use touch-up paint and allow to dry.



Tighten to the specified torque.



Apply firm pressure while rolling, especially at the ends, to set the adhesive.



Press firmly.



Clean with isopropyl alcohol.



Return the original part to the client.
(Do not reuse.)

Safety: General

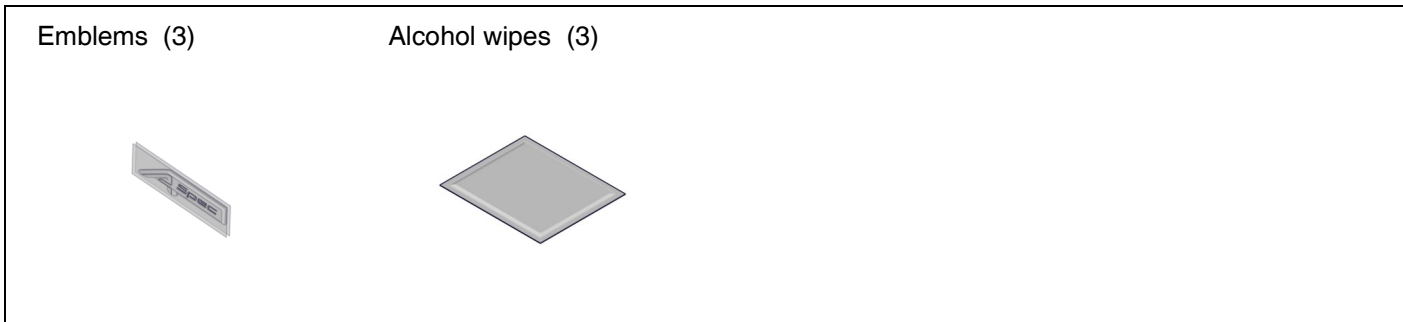
- Be careful not to damage the vehicle or the parts.
- The illustrations may differ slightly from the actual accessory.

Safety: Accessory

- Always use the parts and tools specified in the installation instructions.
- Do not install the accessory on a dirty surface or in direct sunlight.
- Make sure the ambient air temperature is 60°F (15°C) or above when installing accessories that use adhesive material.
- When pressing the accessory firmly with the palm of your hand, be careful not to damage it or the vehicle.
- When applying adhesive material, make sure it is lined up properly before attaching. Once the adhesive material touches the surface, do not try to remove it. If you do, you could damage the part.
- Do not wash the vehicle for 24 hours to allow the adhesive to cure.

PARTS LIST

A-Spec Emblem Kit (P/N 08F20-3S5-200B)



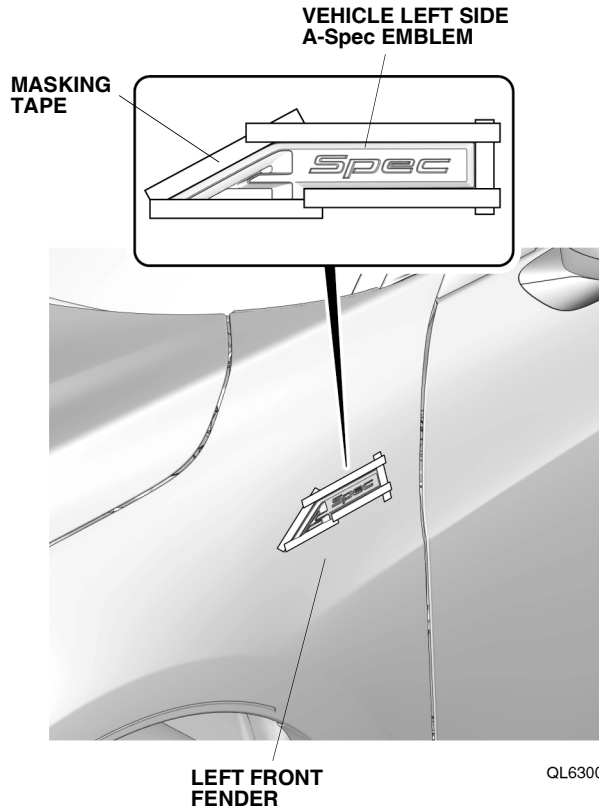
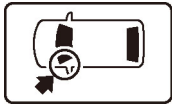
REQUIRED TOOLS AND SUPPLIES

- Masking tape
- Nylon string

The following tool is available through the Acura Tool and Equipment Program:
Rubber Roller (T/N MHLE54D)

INSTALLATION

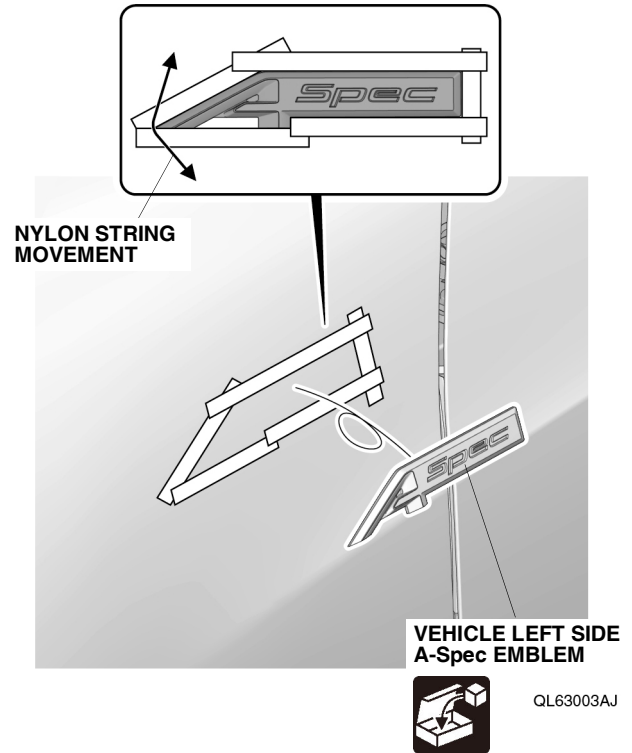
1. Attach the masking tape.



2. Remove the vehicle left side A-Spec emblem.

NOTE

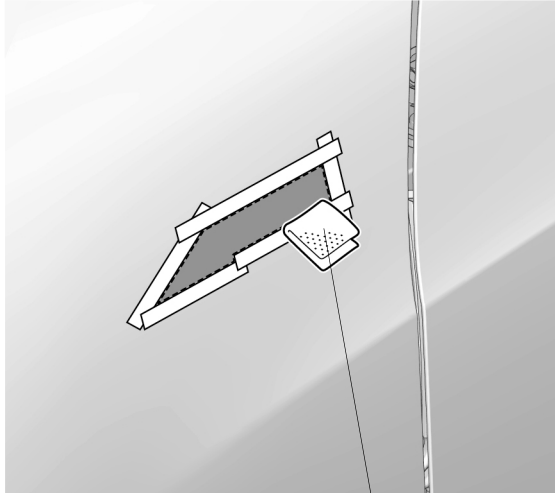
- Do not damage the vehicle body when removing the vehicle left side A-Spec emblem with the nylon string.
- Make sure to thoroughly remove the adhesive tape from the vehicle body.



3. Clean the attaching area.

NOTICE

Allow to dry thoroughly.

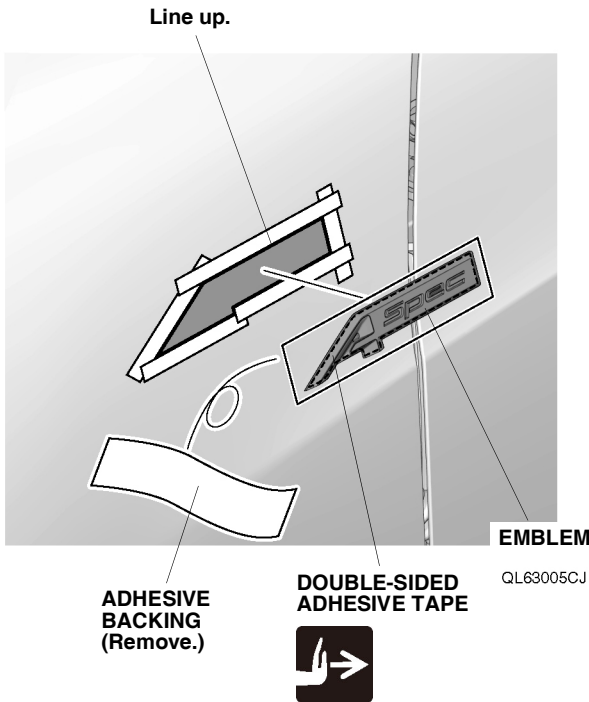


ALCOHOL WIPE QL63004AJ

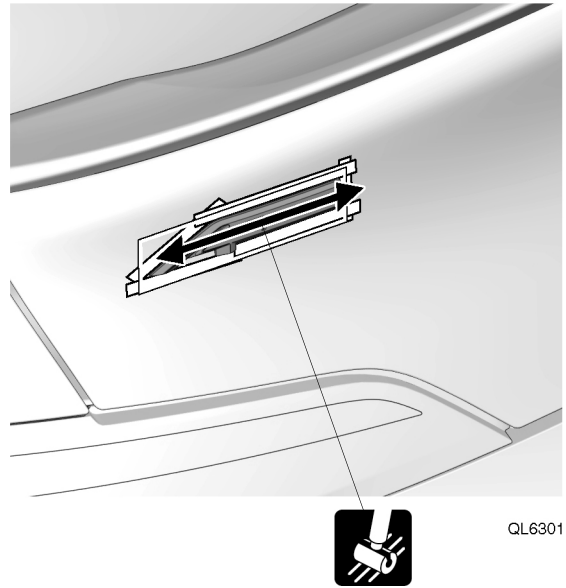
4. Attach the emblem.

NOTICE

Check the position of the double-sided adhesive tapes and make sure to press firmly.

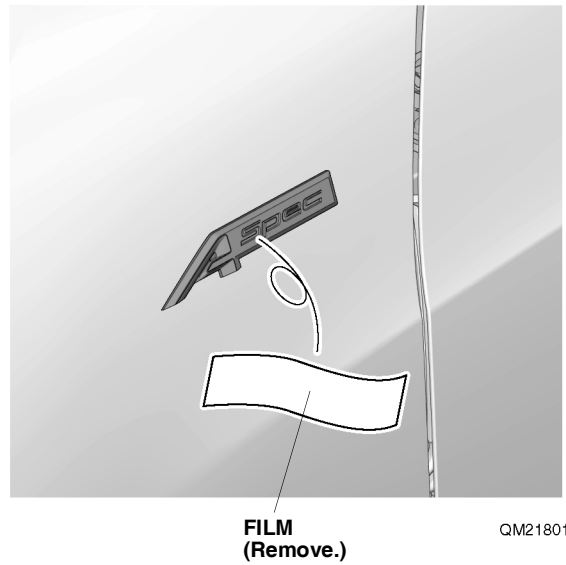


5. Secure the emblem.

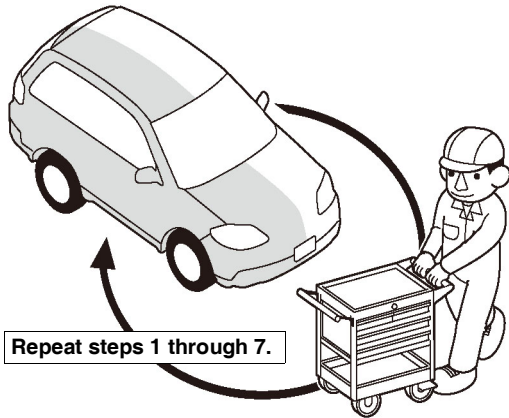


6. Remove the masking tape.

7. Remove the film.

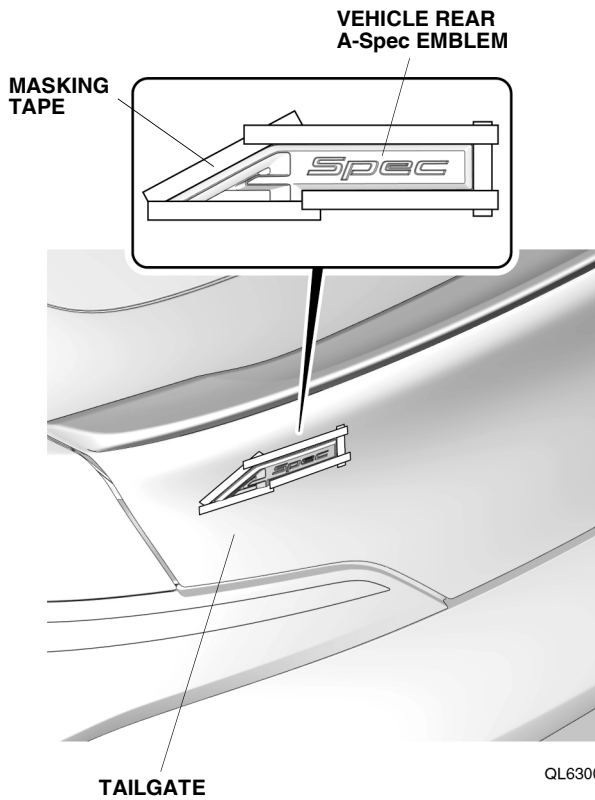
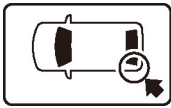


8. Repeat the same procedures on the other side.



Q9D1012AE

9. Attach the masking tape.

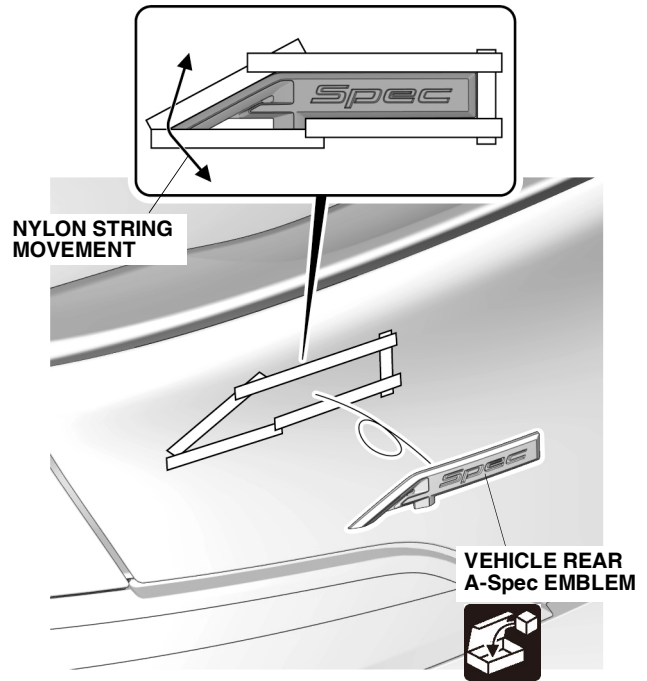


QL63007AJ

10. Remove the vehicle rear A-Spec emblem.

NOTE

- Do not damage the vehicle body when removing the vehicle rear A-Spec emblem with the nylon string.
- Make sure to thoroughly remove the adhesive tape from the vehicle body.

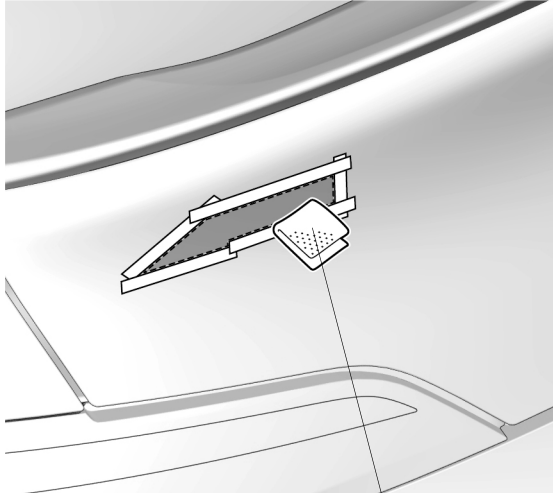


QL63008AJ

11. Clean the attaching area.

NOTICE

Allow to dry thoroughly.

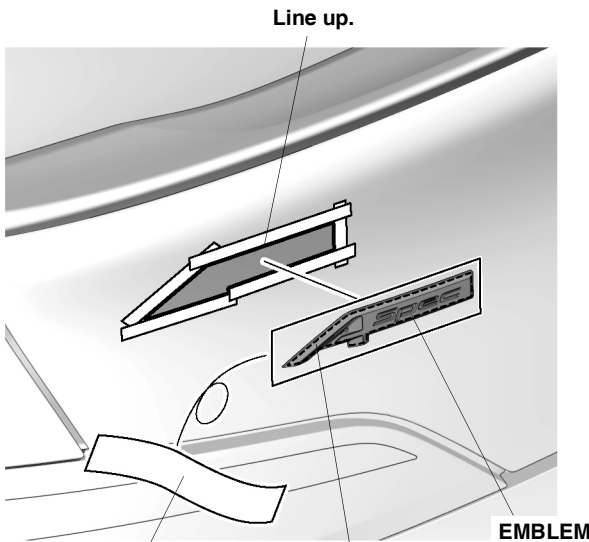


ALCOHOL WIPE QL63009AJ

12. Attach the emblem.

NOTICE

Check the position of the double-sided adhesive tapes and make sure to press firmly.



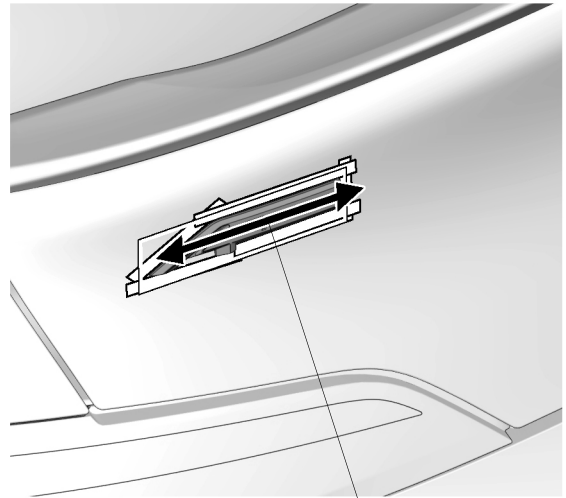
ADHESIVE BACKING (Remove.)

DOUBLE-SIDED ADHESIVE TAPE

EMBLEM QL63010CJ



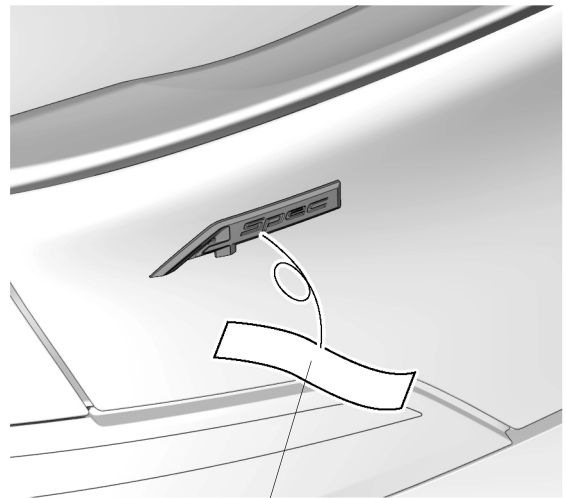
13. Secure the emblem.



QL63011BJ

14. Remove the masking tape.

15. Remove the film.



FILM (Remove.)

QM21802AH

16. Check that all parts are installed properly.