



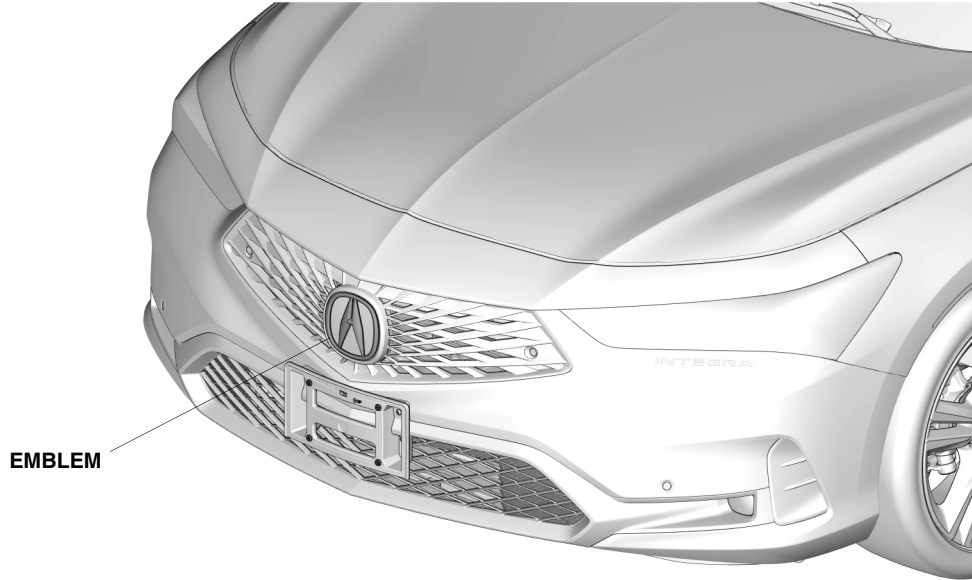
INSTALLATION INSTRUCTIONS

Accessory
FRONT BLACK EMBLEM

Application
**2023 INTEGRA
MODEL SERIES**

Publications No.
VERSION 1
Issue Date
MAY 2022

GENERAL VIEW



QL71301AJ

FOR YOUR SAFETY (Read carefully.)

Warning Symbols

Safety: Your safety, and the safety of others, is important. To help you make informed decisions about service procedures, we have provided safety messages where appropriate. Of course, it is not practical or possible to warn you about all the hazards associated with servicing a vehicle - you must use your own good judgment.

You will find important safety messages preceded by one of following symbols:

*All symbols are not used in all installation instructions.

⚠ DANGER

You will be killed or seriously hurt if you do not follow the instructions.

⚠ WARNING

You can be killed or seriously hurt if you do not follow the instructions.

⚠ CAUTION

You can be hurt if you do not follow the instructions.

NOTICE

Gives advice to prevent damage to the product, vehicle, the environment or other property.

NOTE

Gives helpful information or instructions to be followed when installing this product.

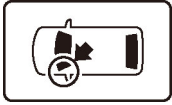


Indicates a prohibited action.

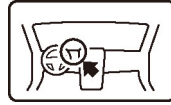
Procedure and Location Icons

These icons indicate the work location and the worker's point of view.

*All icons are not used in all installation instructions.



The location on the vehicle.



The location in the vehicle.
(instrument panel.)



Wear eye protection.



Wear heavy gloves.



Use an assistant.



Place the part on a blanket.



Work perpendicular.



Remove any burrs.



Use touch-up paint and allow to dry.



Tighten to the specified torque.



Apply firm pressure while rolling, especially at the ends, to set the adhesive.



Press firmly.

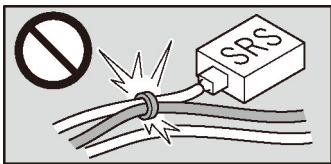


Clean with isopropyl alcohol.

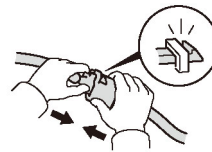


Return the original part to the client.
(Do not reuse.)

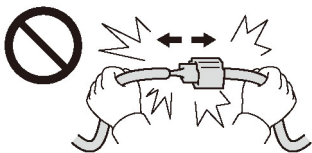
Wire Harness Routing Precaution



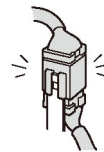
Do not secure the accessory harness to the SRS harness.
(except for instruction cases.)



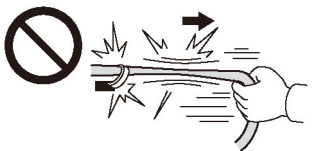
Push the connectors and terminals together until they lock.



Do not pull the harness to unplug the connectors.



Install removed connectors in their original location.



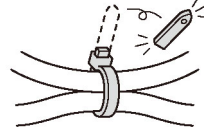
Do not pull the harness.



Secure the accessory harness as shown.



Do not pinch the harness.



Cut off the excess wire tie.

Safety: General

- Observe all safety notes and precautions described in the service information, in addition to those described in this Installation Instruction. Be extremely careful for your safety and the safety of others.
- Be careful not to damage the vehicle or the parts.
- Be extremely careful when handling retaining tabs and clips.
- Note the locations of the parts before removing them so they can be properly installed in their original positions.
- The illustrations may differ slightly from the actual accessory.

Safety: Electric Parts



- Always disconnect the negative cable from the battery before beginning work.

Safety: Accessory

- Always use the parts and tools specified in the installation instructions.
- Do not install the accessory on a dirty surface or in direct sunlight.
- Make sure the ambient air temperature is 60°F (15°C) or above when installing accessories that use adhesive material.
- When pressing the accessory firmly with the palm of your hand, be careful not to damage it or the vehicle.
- When applying adhesive material, make sure it is lined up properly before attaching. Once the adhesive material touches the surface, do not try to remove it. If you do, you could damage the part.
- Do not wash the vehicle for 24 hours to allow the adhesive to cure.

PARTS LIST

Front Black Emblem Kit
(P/N 08F20-3S5-200)
(P/N 08F20-3S5-200D)

Emblem	Alcohol wipe
	

REQUIRED TOOLS AND SUPPLIES

- Phillips screwdriver
- 10 mm Open end wrench
- Masking tape

- Stubby Phillips screwdriver
- 10 mm Socket

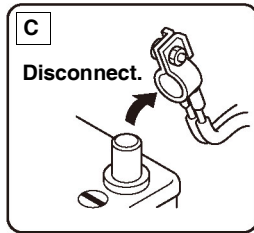
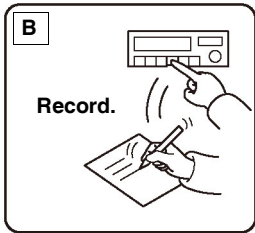
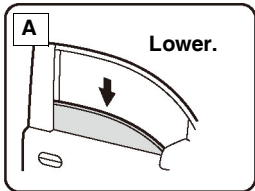
- Blanket
- Ratchet

The following tools are available through the Acura Tool and Equipment Program:

- Trim Tool Set (T/N SOJATP2014)
- Rubber Roller (T/N M

INSTALLATION

1. Disconnect the negative cable from the battery.

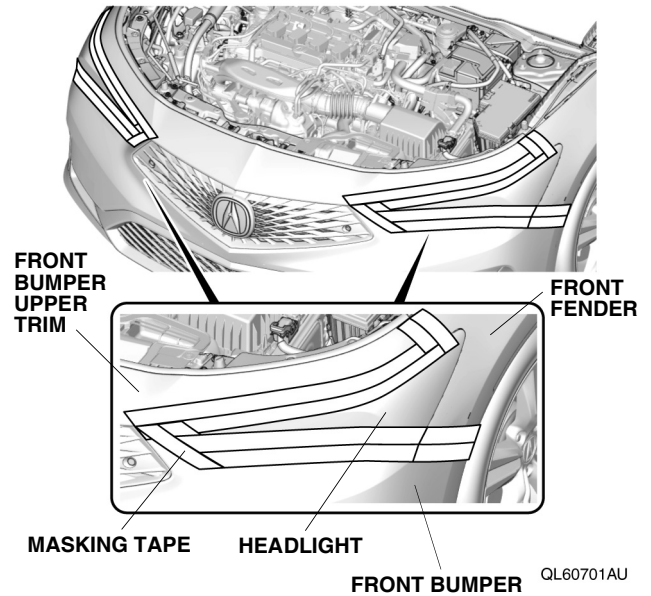
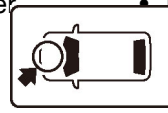


QCD0502BM

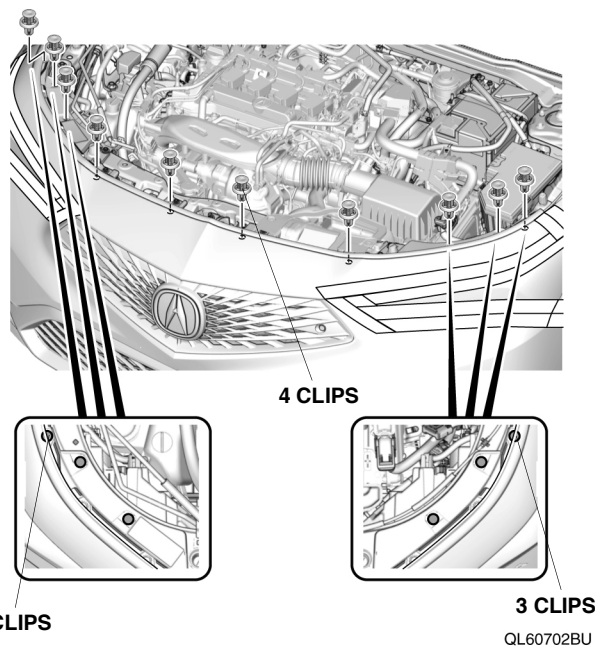
2. Attach masking tape to protect the vehicle.

NOTE

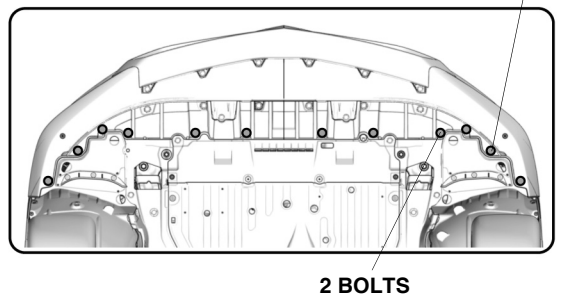
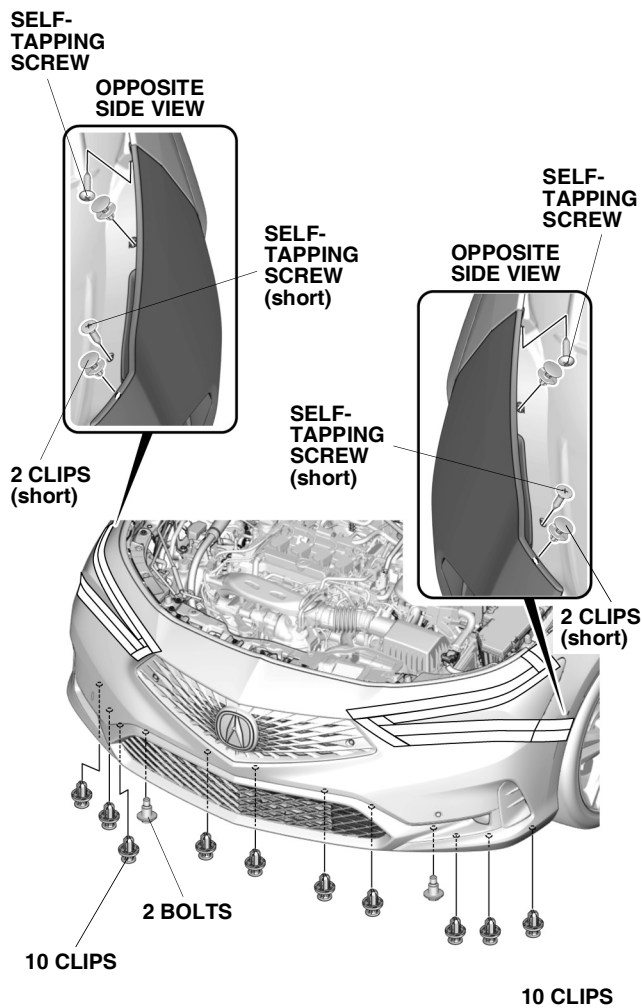
Do not remove the masking tape until after the parts are installed.



3. Remove the clips.



4. Remove the self-tapping screws, clips, and bolts.

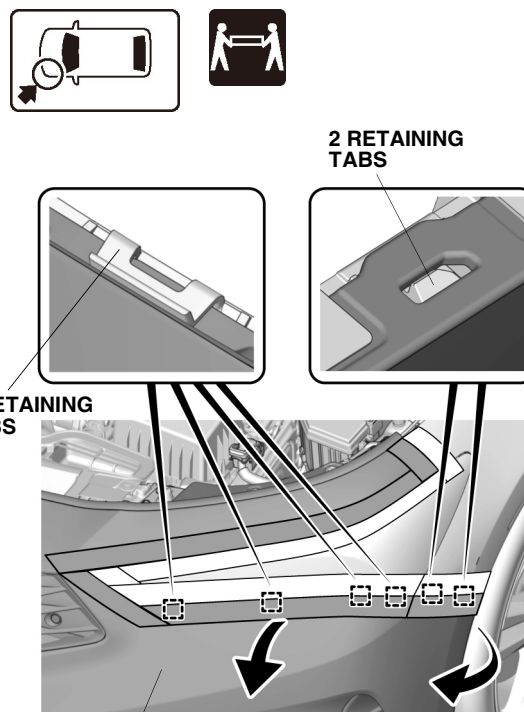


QL60703AU

5. Release the retaining tabs.

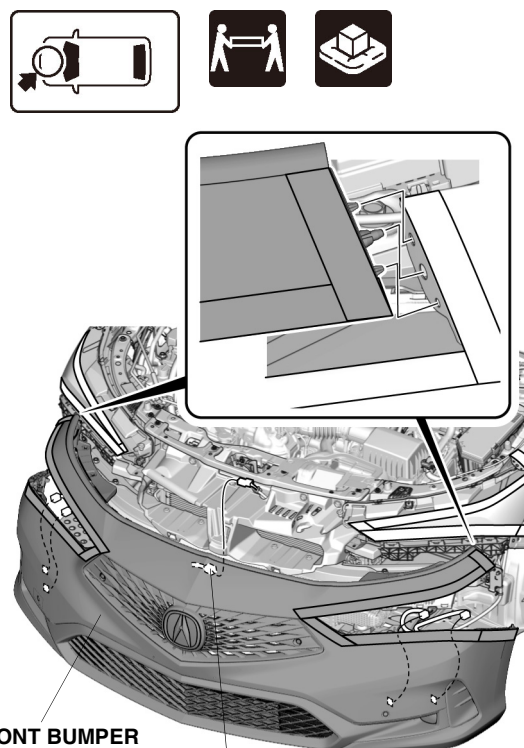
NOTE

- Release the retaining tabs in order from outside.
- Make sure to release the retaining tabs in the correct orientation.



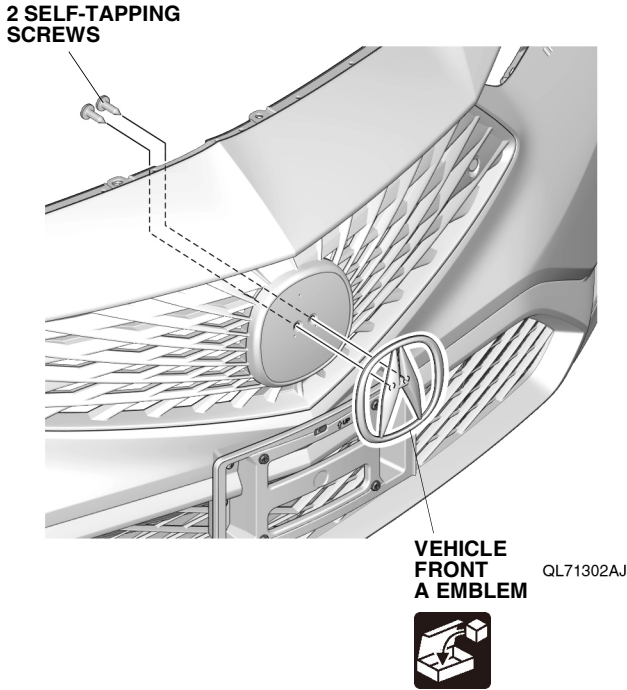
QL60704AU

6. Repeat step 5 on the other side.
7. Remove the front bumper.



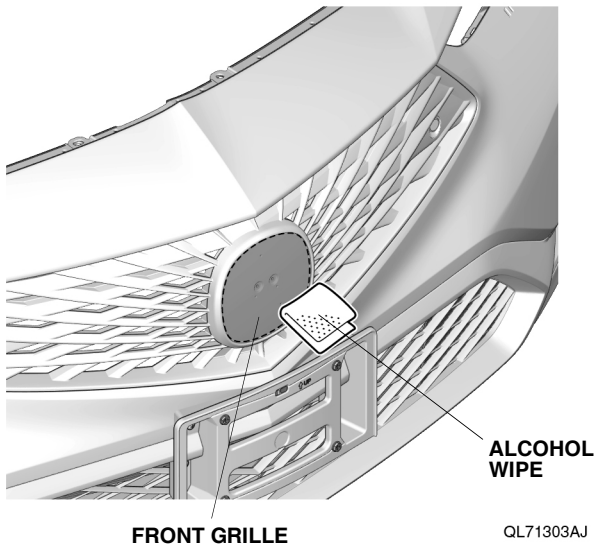
QL60705AU

8. Remove the vehicle front A emblem.



9. Clean the front grille.

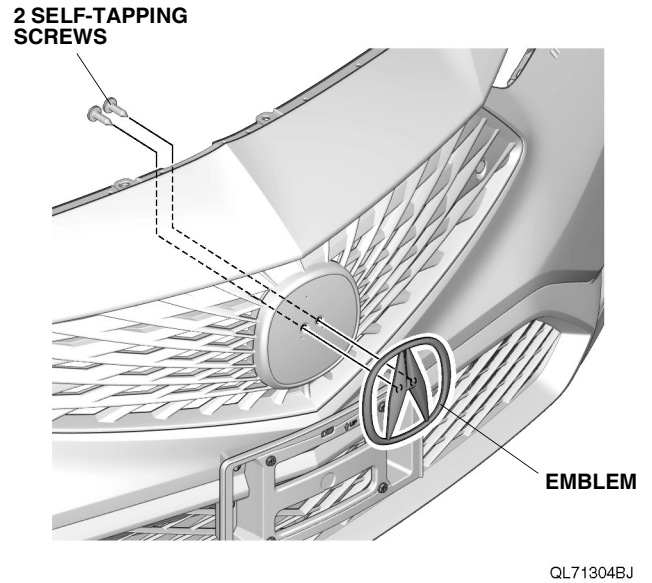
NOTICE
Allow to dry thoroughly.



10. Choose one of these options.

- | |
|--|
| • Front black emblem kit (P/N 08F20-3S5-200)
Go to step 11 |
| • Front black emblem kit (P/N 08F20-3S5-200D)
Go to step 12 |

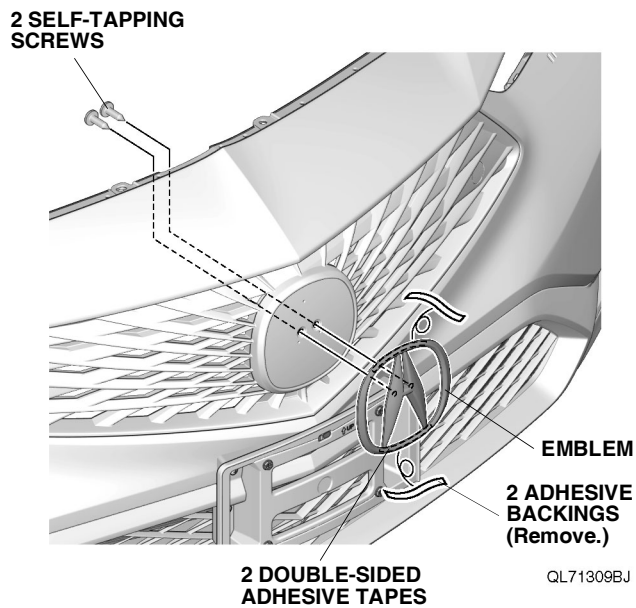
11. Install the emblem.



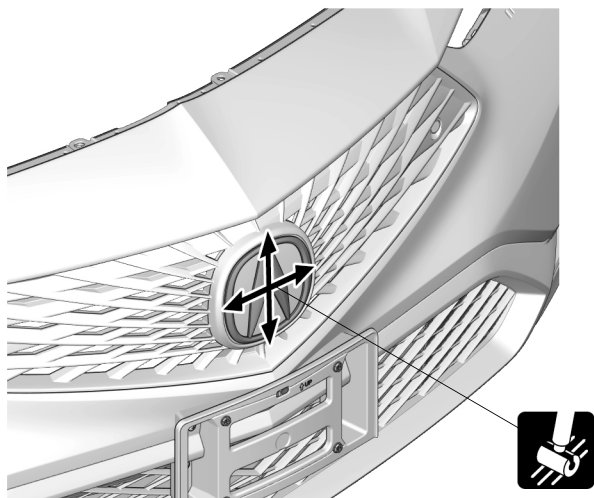
Go to step 14

12. Secure the emblem.

NOTICE
Check the position of the double-sided adhesive tapes and make sure to press firmly.



13. Set the adhesive.



QL71310AJ

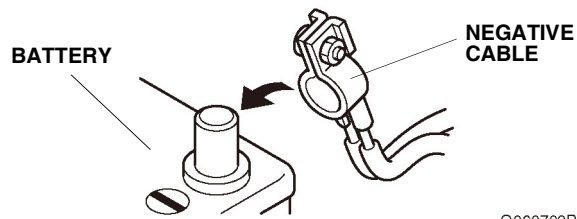
14. Check that all parts are installed and properly routed.

NOTE

- Check that all harnesses are not pulled or not pinched.
- Make sure all clips and wire ties are securely installed.

15. Install all removed parts.

16. Connect the negative cable to the battery.



Q060702BM

17. Make sure all accessories and systems operate properly.
18. If necessary, restore the systems back to normal operation as described in the service information.
19. Press and hold the audio unit power button for 2 seconds to restore the audio and navi (if equipped) system functions.