



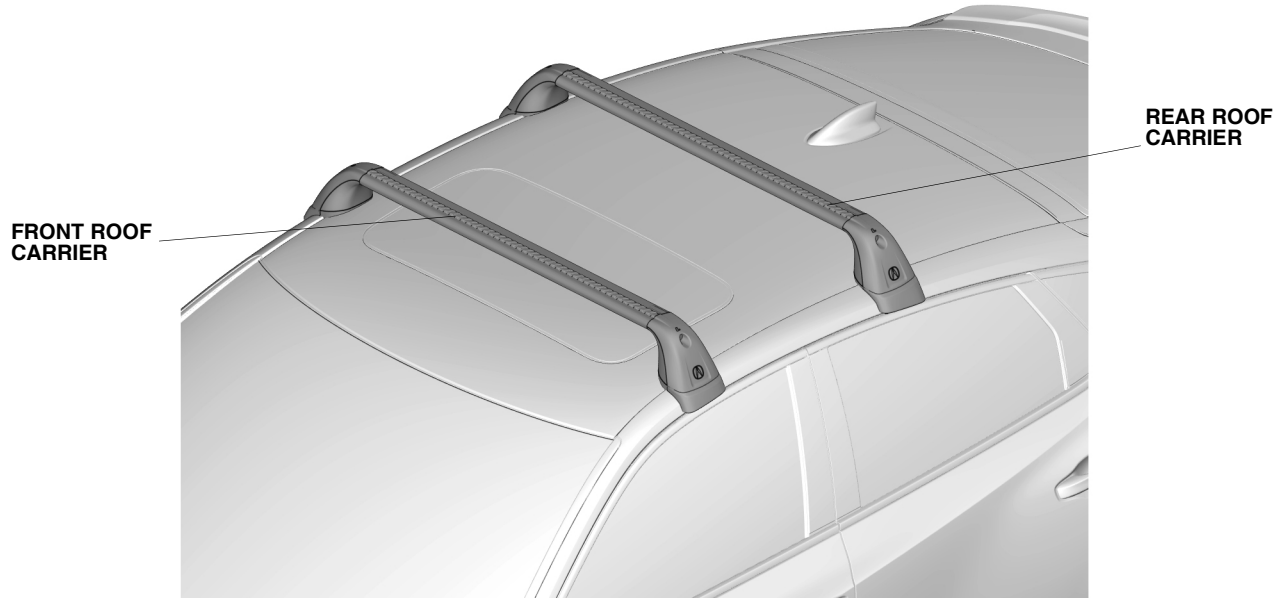
# INSTALLATION INSTRUCTIONS

Accessory  
**ROOF CARRIER**

Application  
**2023 INTEGRA  
MODEL SERIES**

Publications No.  
**VERSION 1**  
Issue Date  
**MAY 2022**

## GENERAL VIEW



QL92001AH

## FOR YOUR SAFETY (Read carefully.)

### Warning Symbols

Safety: Your safety, and the safety of others, is important. To help you make informed decisions about service procedures, we have provided safety messages where appropriate. Of course, it is not practical or possible to warn you about all the hazards associated with servicing a vehicle - you must use your own good judgment.

You will find important safety messages preceded by one of following symbols:

\*All symbols are not used in all installation instructions.

**⚠ DANGER**

You will be killed or seriously hurt if you do not follow the instructions.

**⚠ WARNING**

You can be killed or seriously hurt if you do not follow the instructions.

**⚠ CAUTION**

You can be hurt if you do not follow the instructions.

**NOTICE**

Gives advice to prevent damage to the product, vehicle, the environment or other property.

**NOTE**

Gives helpful information or instructions to be followed when installing this product.

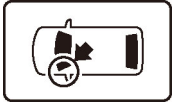


Indicates a prohibited action.

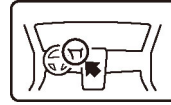
## Procedure and Location Icons

These icons indicate the work location and the worker's point of view.

\*All icons are not used in all installation instructions.



The location on the vehicle.



The location in the vehicle.  
(instrument panel.)



Wear eye protection.



Wear heavy gloves.



Use an assistant.



Place the part on a blanket.



Work perpendicular.



Remove any burrs.



Use touch-up paint and allow to dry.



Tighten to the specified torque.



Apply firm pressure while rolling, especially at the ends, to set the adhesive.



Press firmly.



Clean with isopropyl alcohol.



Return the original part to the client.  
(Do not reuse.)

## Safety: General

- Be careful not to damage the vehicle or the parts.



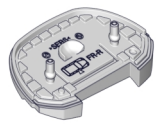
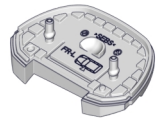
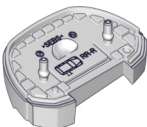
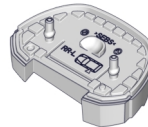

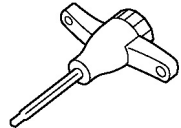
- The illustrations may differ slightly from the actual accessory.

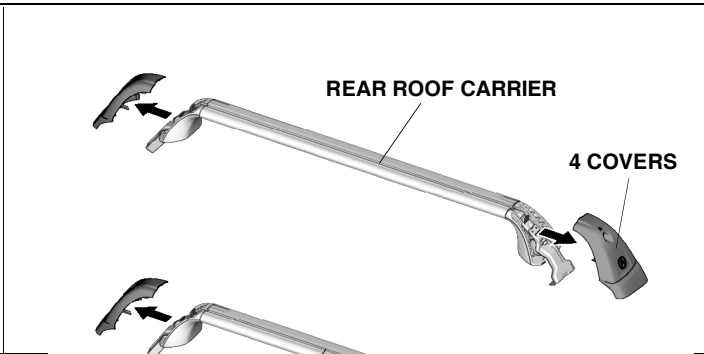
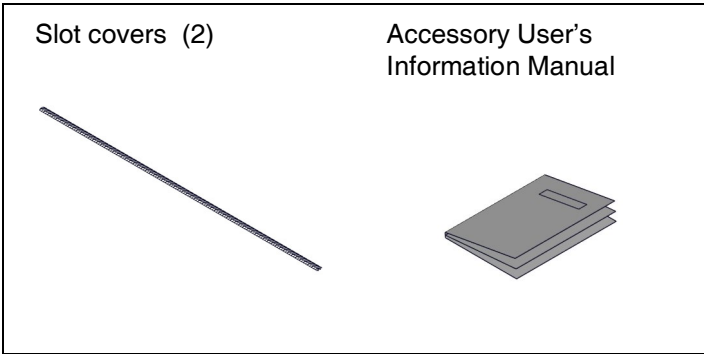
## Safety: Accessory

Always use the parts and tools specified in the installation instructions.

## PARTS LIST

### Roof Carrier Kit (P/N 08L02-3S5-200)

<p>Front roof carrier (Identification mark: FRONT LEFT)</p>	<p>Rear roof carrier (Identification mark: REAR LEFT)</p>	<p>Right front cushion (Identification mark: FR-R)</p>	<p>Left front cushion (Identification mark: FR-L)</p>
			
<p>Right rear cushion (Identification mark: RR-R)</p>	<p>Left rear cushion (Identification mark: RR-L)</p>	<p>Keys (2)</p>	<p>Wrench</p>
			

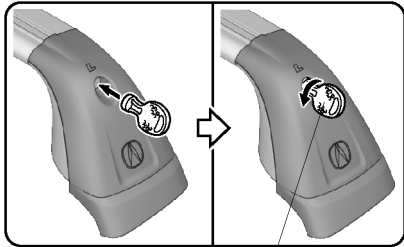


## REQUIRED TOOLS AND SUPPLIES

Utility knife

## INSTALLATION

1. Remove the covers.



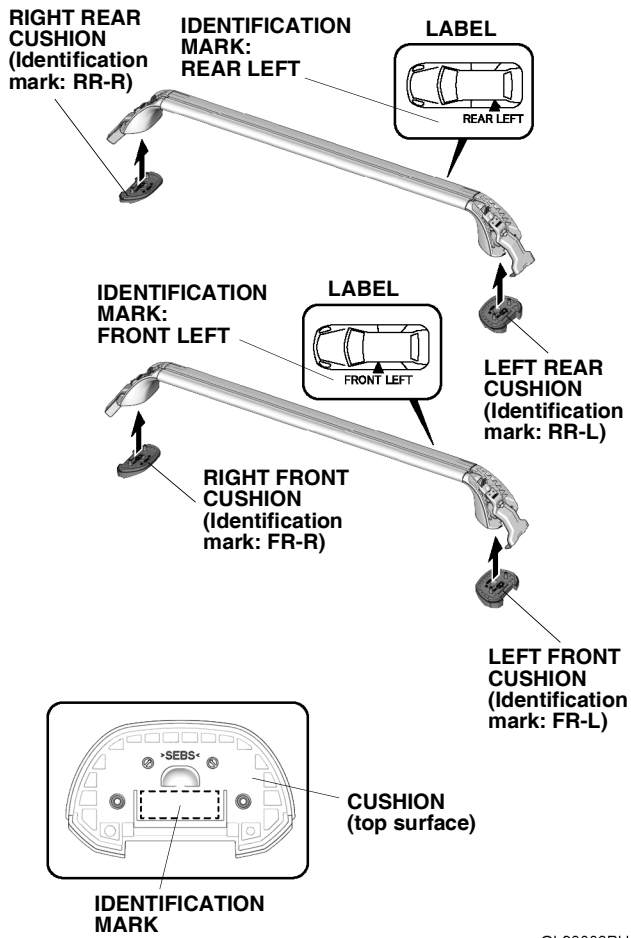
KEY  
(Turn 90°  
counterclockwise  
to unlock.)

QL92002AH

2. Install the cushions.

**NOTE**

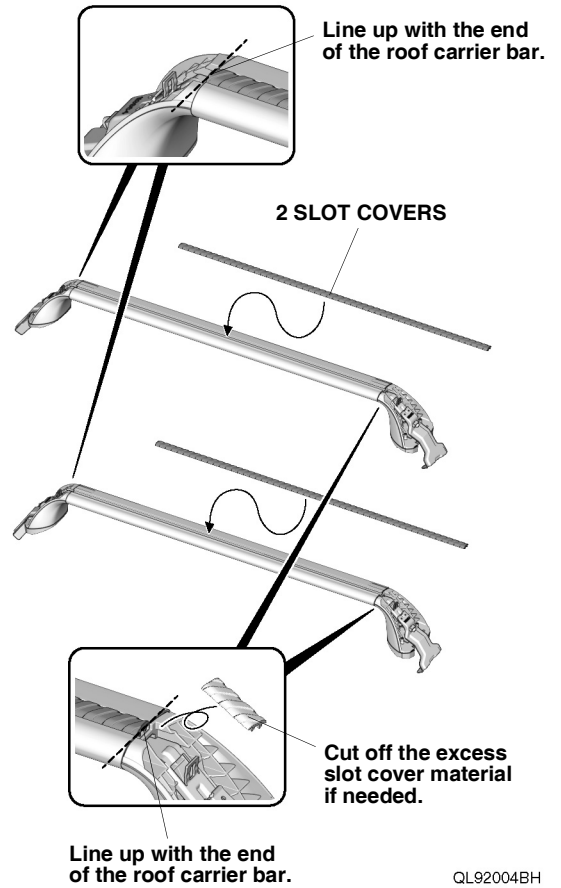
Make sure to check the identification mark before installation.



QL92003BH

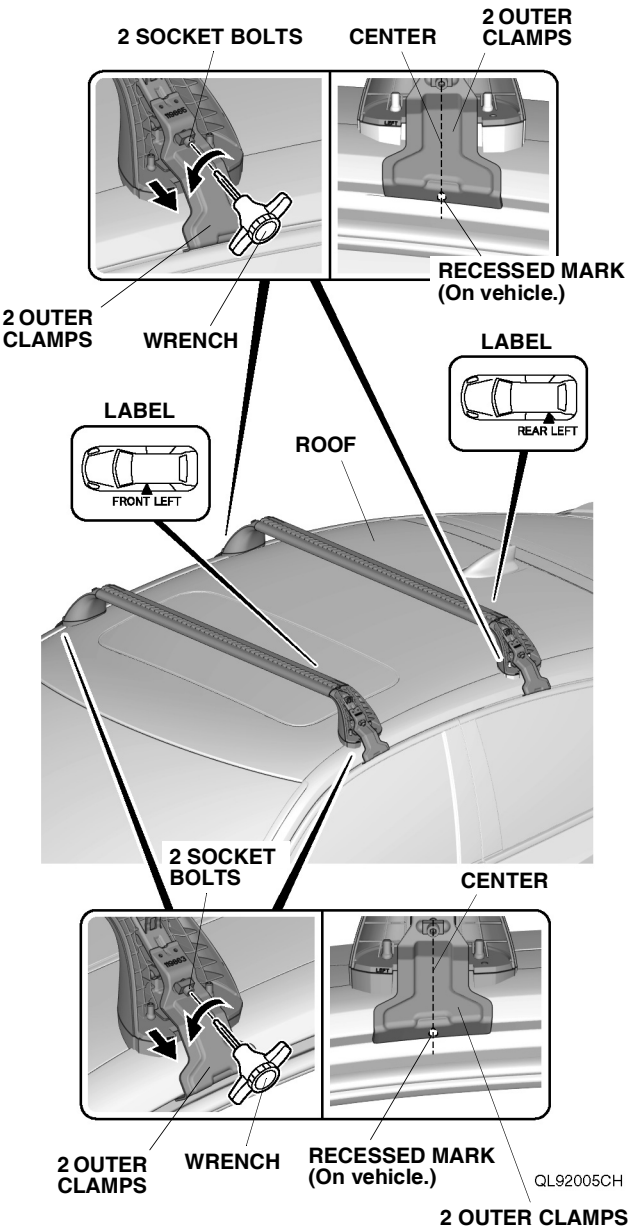
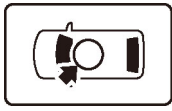
3. Install the slot covers.

**NOTE**  
Cut off the excess slot cover material if needed.



QL92004BH

4. Loosen the socket bolts.

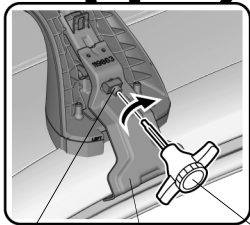
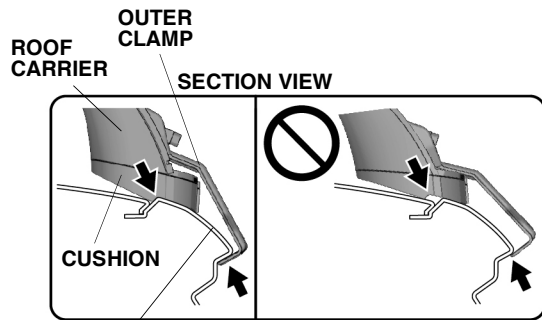


5. Position the roof carriers.

## NOTE

Make sure to check the label before installation.

6. Loosely tighten the socket bolts.



4 SOCKET BOLTS  
4 OUTER CLAMPS  
WRENCH  
(Turn until you hear a clicking sound.)

QL92006BH

7. Secure the roof carriers.

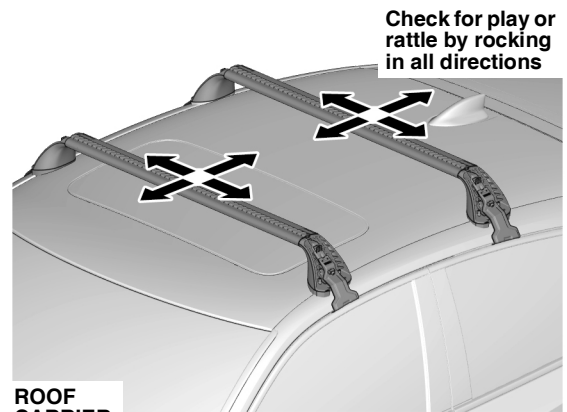
**NOTE**

- Make sure that there are no gaps between the roof and cushions.
- Tighten the right and left socket bolts alternately to evenly distribute the pressure.
- Tighten the left and right socket bolts until you hear a clear click sound.

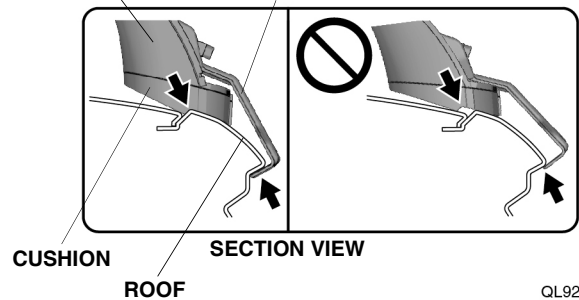
8. Ensure the roof carriers are secured.

**NOTE**

- Make sure that there are no gaps between the roof and cushions.
- Rock the roof carriers in all directions to check if they are installed securely without play or rattle.
- If the roof carriers have abnormal play or rattle, retighten the socket bolts, or reinstall the roof carriers as described in these installation instructions.



ROOF CARRIER  
OUTER CLAMP

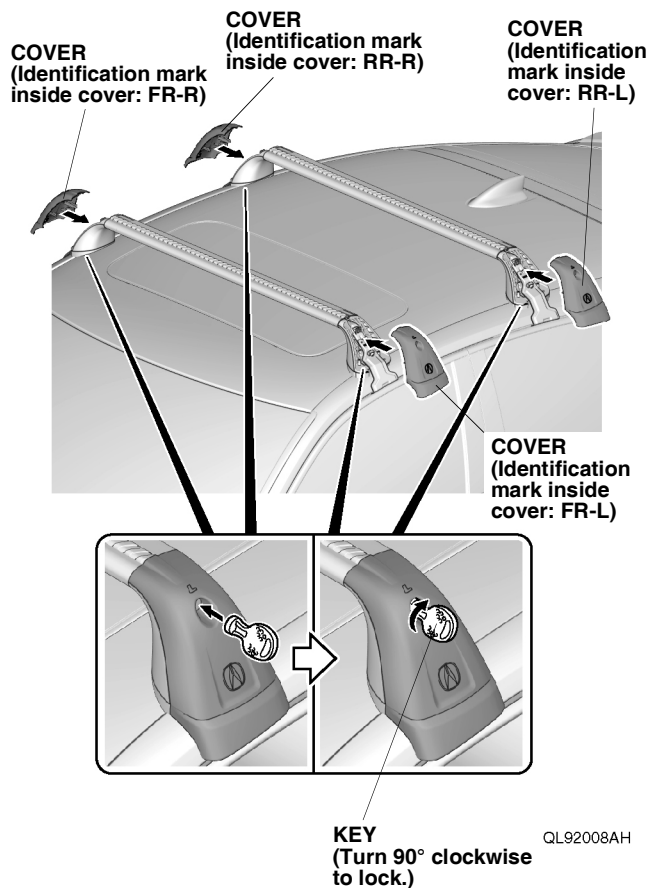


QL92007BH

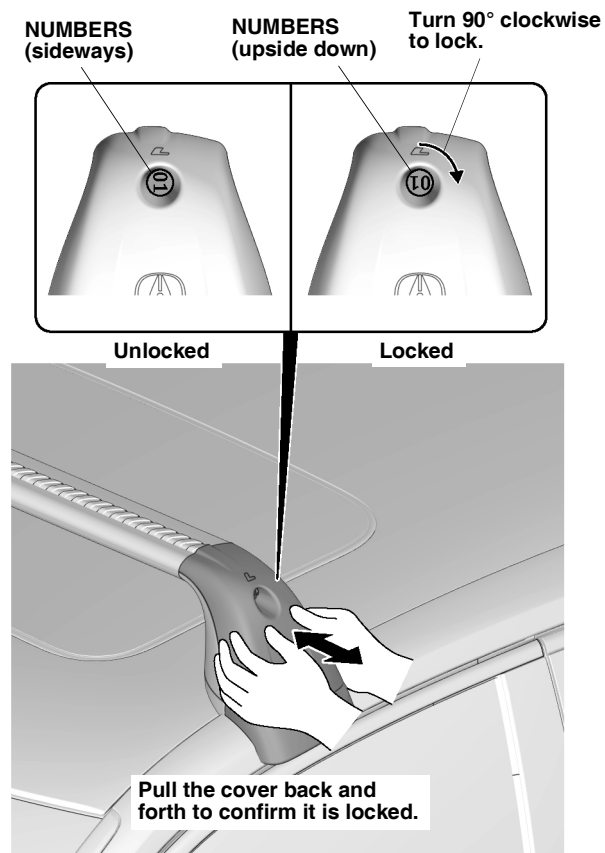
9. Install the covers.

**NOTE**

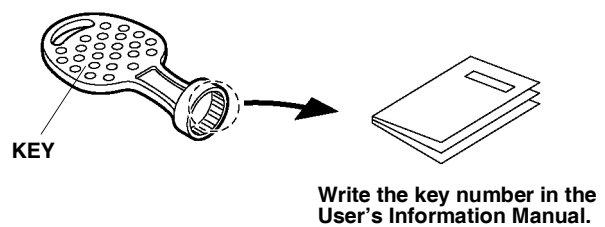
Make sure to check the identification mark before installation.



10. Confirm the covers are locked.



11. Write down the key number.



12. Check that all parts are installed properly.

13. Give the Accessory User's Information Manual to the client.