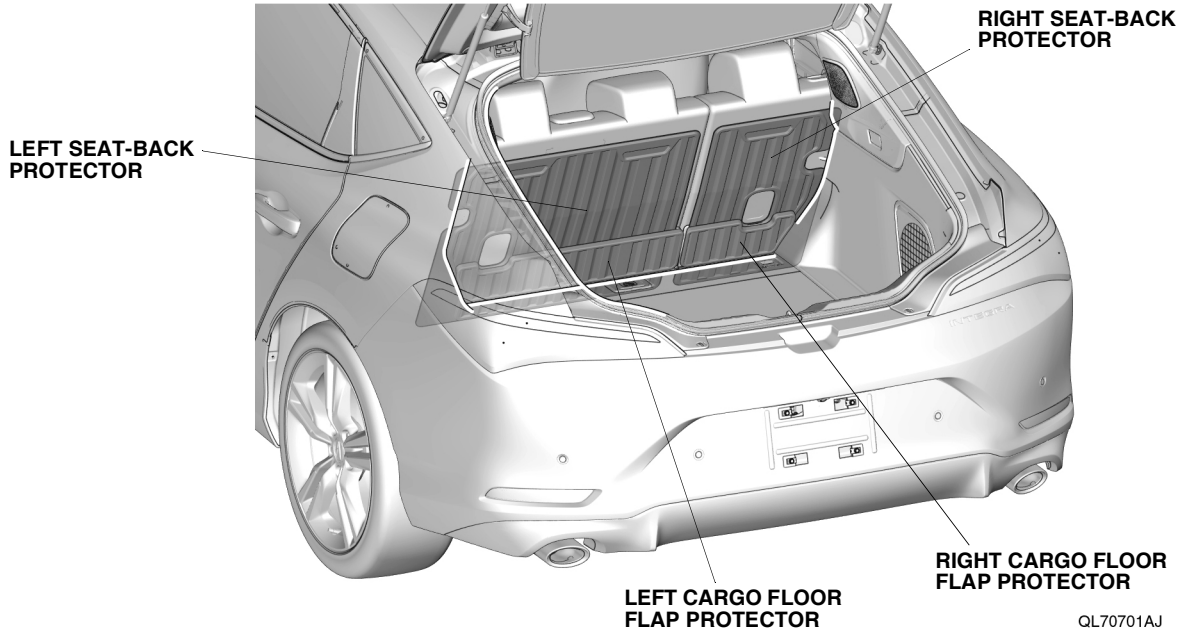




INSTALLATION INSTRUCTIONS

Accessory SEAT-BACK PROTECTOR	Application 2023 INTEGRA MODEL SERIES	Publications No. VERSION 1
		Issue Date MAY 2022

GENERAL VIEW



FOR YOUR SAFETY (Read carefully.)

Warning Symbols

Safety: Your safety, and the safety of others, is important. To help you make informed decisions about service procedures, we have provided safety messages where appropriate. Of course, it is not practical or possible to warn you about all the hazards associated with servicing a vehicle - you must use your own good judgment.

You will find important safety messages preceded by one of following symbols:

*All symbols are not used in all installation instructions.

⚠ DANGER

You will be killed or seriously hurt if you do not follow the instructions.

⚠ WARNING

You can be killed or seriously hurt if you do not follow the instructions.

⚠ CAUTION

You can be hurt if you do not follow the instructions.

NOTICE

Gives advice to prevent damage to the product, vehicle, the environment or other property.

NOTE

Gives helpful information or instructions to be followed when installing this product.

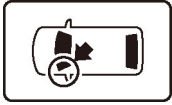


Indicates a prohibited action.

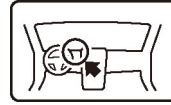
Procedure and Location Icons

These icons indicate the work location and the worker's point of view.

*All icons are not used in all installation instructions.



The location on the vehicle.



The location in the vehicle.
(instrument panel.)



Wear eye protection.



Wear heavy gloves.



Use an assistant.



Place the part on a blanket.



Work perpendicular.



Remove any burrs.



Use touch-up paint and allow to dry.



Tighten to the specified torque.



Apply firm pressure while rolling, especially at the ends, to set the adhesive.



Press firmly.



Clean with isopropyl alcohol.



Return the original part to the client.
(Do not reuse.)

Safety: General

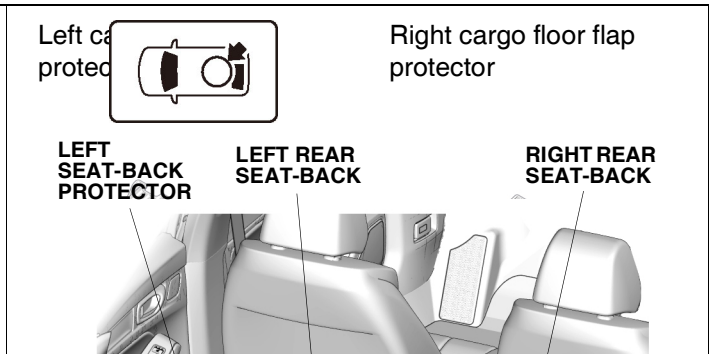
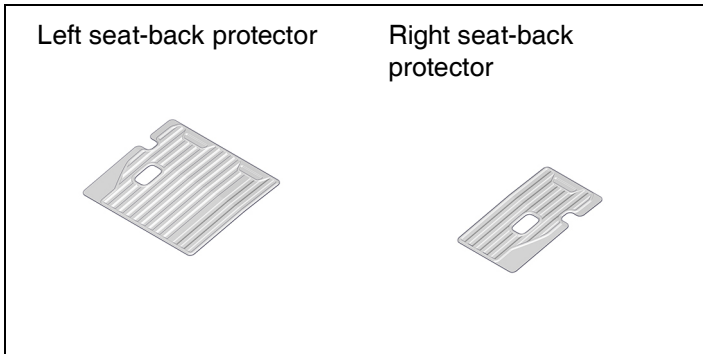
- Be careful not to damage the vehicle or the parts.
- The illustrations may differ slightly from the actual accessory.

Safety: Accessory

Always use the parts and tools specified in the installation instructions.

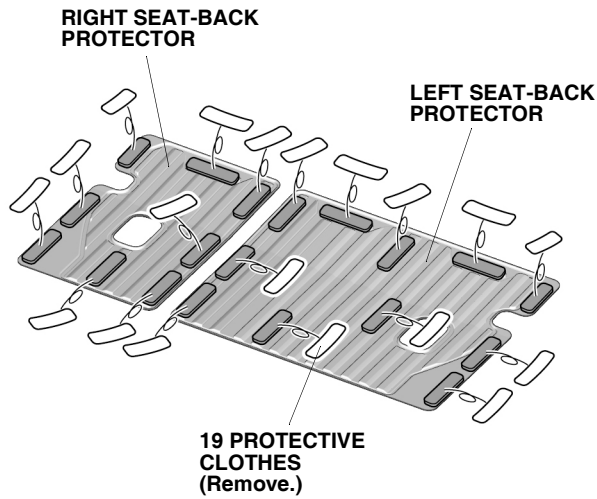
PARTS LIST

Seat-back Protector Kit (P/N 08P30-3S5-200)



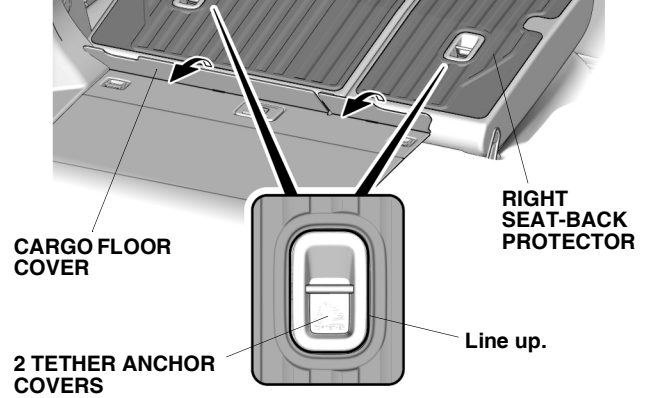
INSTALLATION

1. Remove the protective clothes.



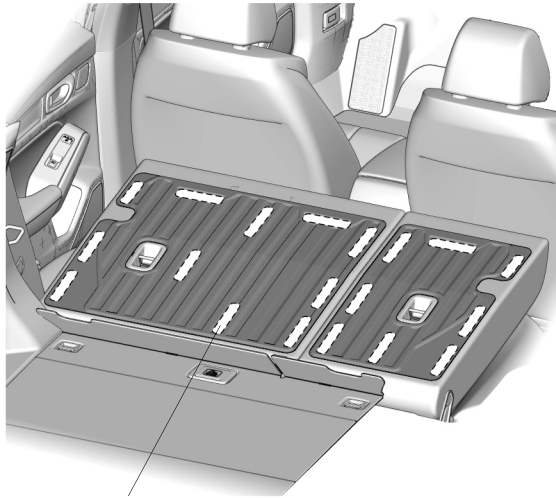
QL70703AJ

2. Fold down the left and right rear seat-backs.



QL70704AJ

3. Position the left and right seat-back protectors.
4. Secure the left and right seat-back protectors.

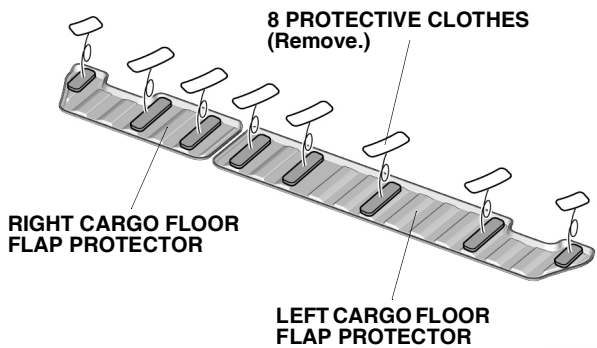


19 FASTENERS
(Attach the fasteners by firmly pressing them back and forth and left and right.)

QL70705AJ



5. Remove the protective clothes.



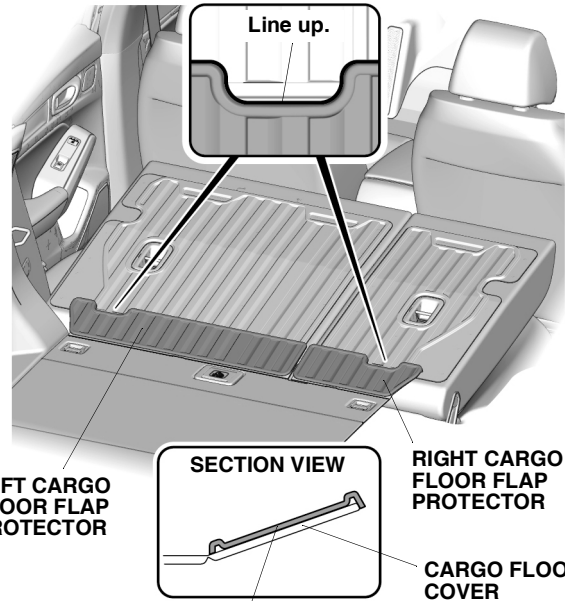
8 PROTECTIVE CLOTHES
(Remove.)

RIGHT CARGO FLOOR FLAP PROTECTOR

LEFT CARGO FLOOR FLAP PROTECTOR

QL70707AJ

6. Position the left and right cargo floor flap protectors.



LEFT CARGO FLOOR FLAP PROTECTOR

RIGHT CARGO FLOOR FLAP PROTECTOR

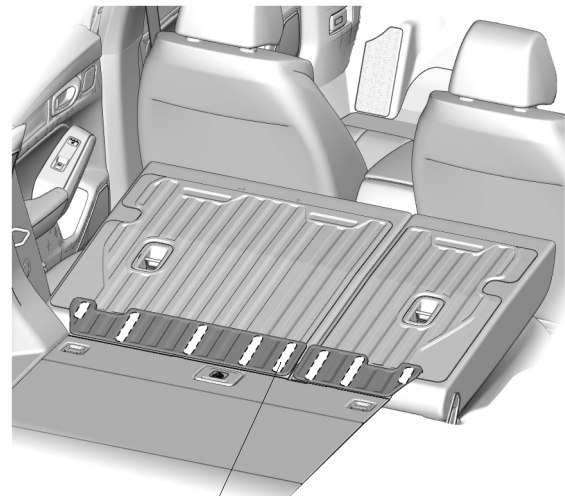
SECTION VIEW

CARGO FLOOR COVER

LEFT AND RIGHT CARGO FLOOR FLAP PROTECTORS

QL70708AJ

7. Secure the left and right cargo floor flap protectors.



8 FASTENERS
(Attach the fasteners by firmly pressing them back and forth and left and right.)

QL70709AJ



8. Raise the left and right seat-backs.
9. Check that all parts are installed properly.