



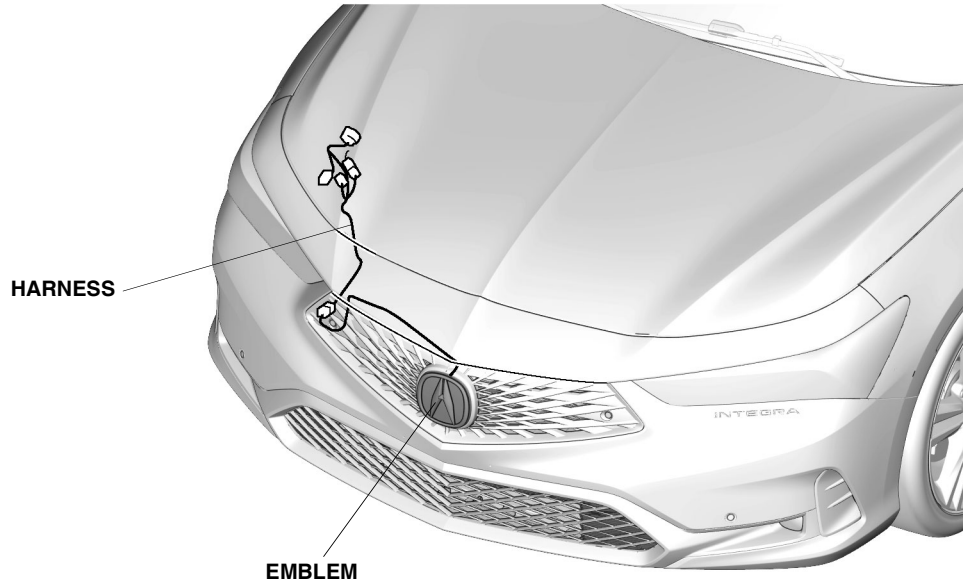
# INSTALLATION INSTRUCTIONS

Accessory  
**EMBLEM ILLUMINATION**

Application  
**2023 INTEGRA  
MODEL SERIES**

Publications No.  
**VERSION 1**  
Issue Date  
**MAY 2022**

## GENERAL VIEW



QL61401AT

## FOR YOUR SAFETY (Read carefully.)

### Warning Symbols

**Safety:** Your safety, and the safety of others, is important. To help you make informed decisions about service procedures, we have provided safety messages where appropriate. Of course, it is not practical or possible to warn you about all the hazards associated with servicing a vehicle - you must use your own good judgment.

You will find important safety messages preceded by one of following symbols:

\*All symbols are not used in all installation instructions.

**⚠ DANGER**

You will be killed or seriously hurt if you do not follow the instructions.

**⚠ WARNING**

You can be killed or seriously hurt if you do not follow the instructions.

**⚠ CAUTION**

You can be hurt if you do not follow the instructions.

**NOTICE**

Gives advice to prevent damage to the product, vehicle, the environment or other property.

**NOTE**

Gives helpful information or instructions to be followed when installing this product.

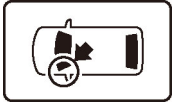


Indicates a prohibited action.

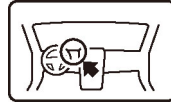
## Procedure and Location Icons

These icons indicate the work location and the worker's point of view.

\*All icons are not used in all installation instructions.



The location on the vehicle.



The location in the vehicle.  
(instrument panel.)



Wear eye protection.



Wear heavy gloves.



Use an assistant.



Place the part on a blanket.



Work perpendicular.



Remove any burrs.



Use touch-up paint and allow to dry.



Tighten to the specified torque.



Apply firm pressure while rolling, especially at the ends, to set the adhesive.



Press firmly.

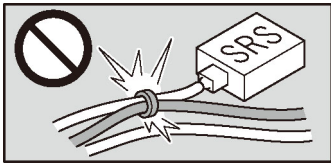


Clean with isopropyl alcohol.

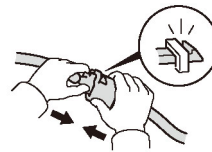


Return the original part to the client.  
(Do not reuse.)

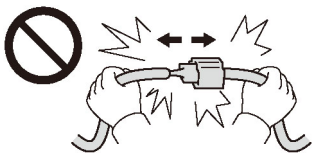
## Wire Harness Routing Precaution



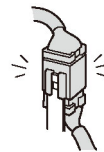
Do not secure the accessory harness to the SRS harness.  
(except for instruction cases.)



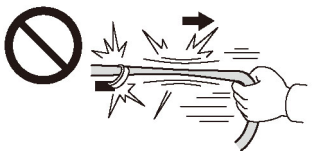
Push the connectors and terminals together until they lock.



Do not pull the harness to unplug the connectors.



Install removed connectors in their original location.



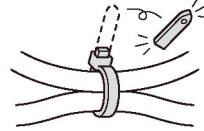
Do not pull the harness.



Secure the accessory harness as shown.



Do not pinch the harness.



Cut off the excess wire tie.

## Safety: General

- Observe all safety notes and precautions described in the service information, in addition to those described in this Installation Instruction. Be extremely careful for your safety and the safety of others.
- Be careful not to damage the vehicle or the parts.
- Be extremely careful when handling retaining tabs and clips.
- Note the locations of the parts before removing them so they can be properly installed in their original positions.
- The illustrations may differ slightly from the actual accessory.

## Safety: Electric Parts

Always disconnect the negative cable from the battery before beginning work.

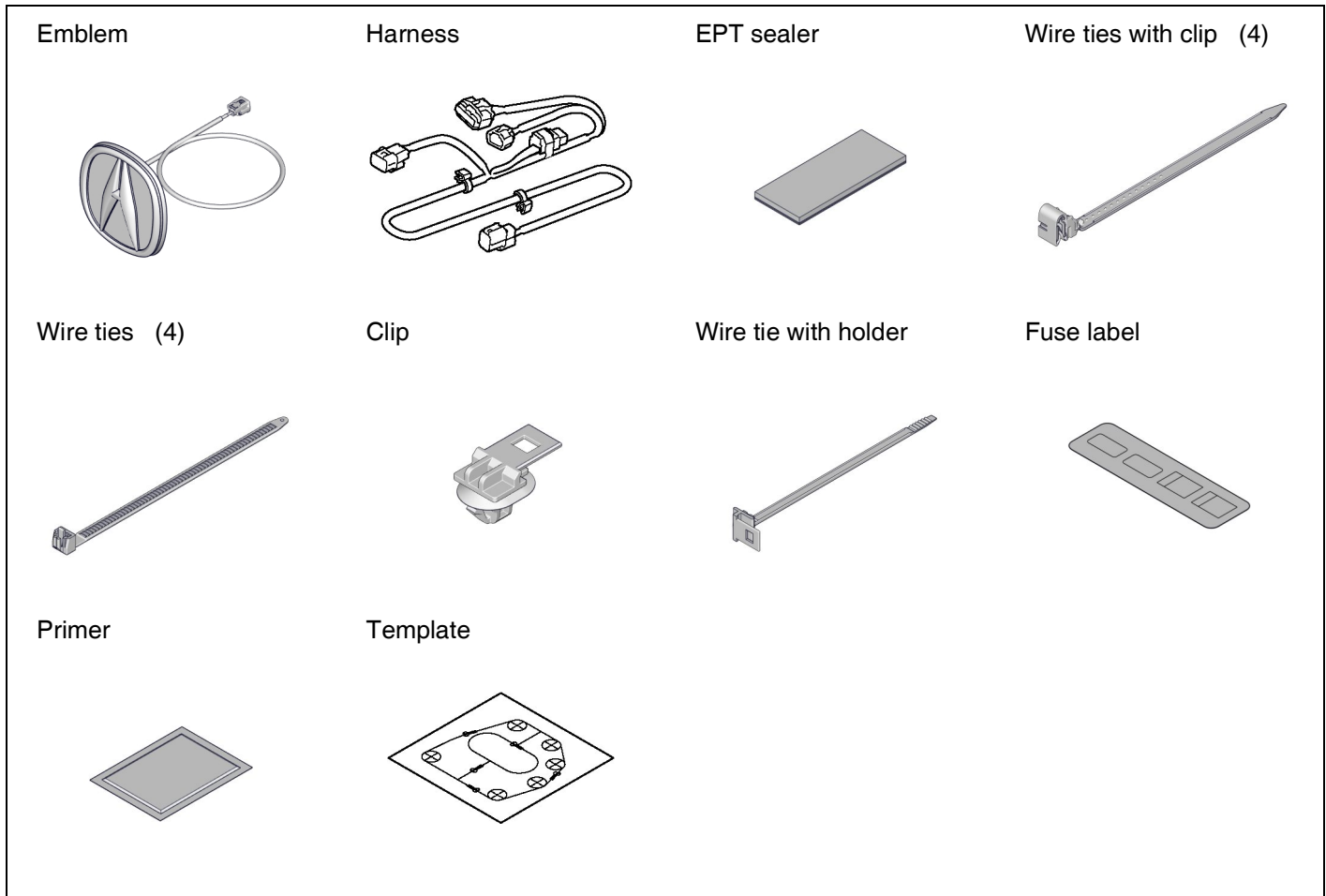
## Safety: Accessory

- Always use the parts and tools specified in the installation instructions.

- Do not install the accessory on a dirty surface or in direct sunlight.
- Make sure the ambient air temperature is 60°F (15°C) or above when installing accessories that use adhesive material.
- When pressing the accessory firmly with the palm of your hand, be careful not to damage it or the vehicle.
- When applying adhesive material, make sure it is lined up properly before attaching. Once the adhesive material touches the surface, do not try to remove it. If you do, you could damage the part.
- Do not wash the vehicle or moisten it for 24 hours to allow the adhesive to cure.

## PARTS LIST

### Emblem Illumination Kit (P/N 08V24-3S5-200)



## REQUIRED TOOLS AND SUPPLIES

- |                         |                     |                        |
|-------------------------|---------------------|------------------------|
| • 10 mm Open end wrench | • Masking tape      | • Phillips screwdriver |
| • Shop towel            | • Ratchet           | • 10 mm Socket         |
| • Blanket               | • Isopropyl alcohol | • Diagonal cutters     |

- File
- Hacksaw
- Electrical tape
- Gloves

- Pushpin
- Felt-tip pen
- Scissors
- 3 mm, 6 mm, 8 mm, and 10 mm Drill bits

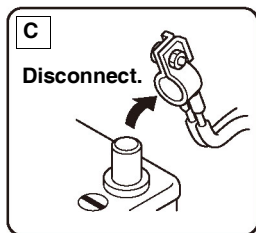
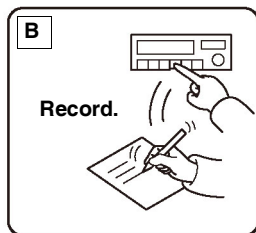
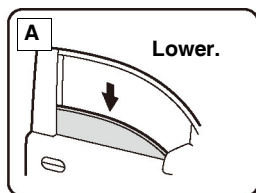
- Drill
- Steel wire
- Ruler
- Eye protection (face shield, safety goggles, etc.)

The following tools are available through the Acura Tool and Equipment Program:

- Trim Tool Set (T/N SOJATP2014)
- Plastic Trim Tool (T/N SILTRIMTL10)

## INSTALLATION

1. Disconnect the negative cable from the battery.

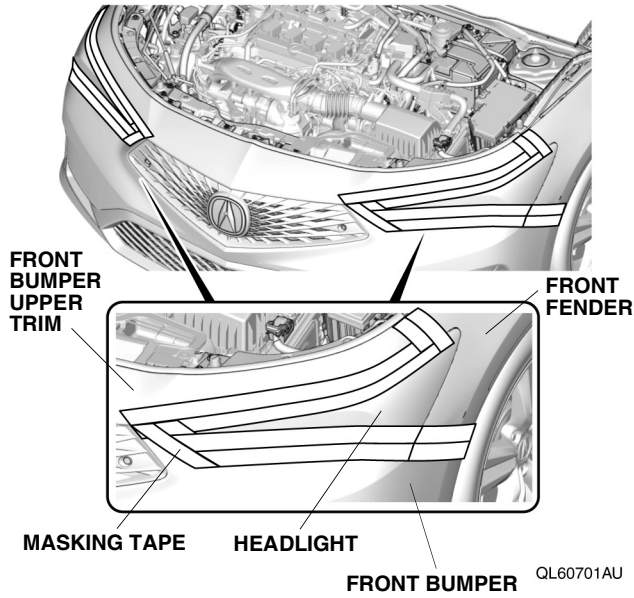
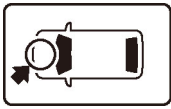


QCD0502BM

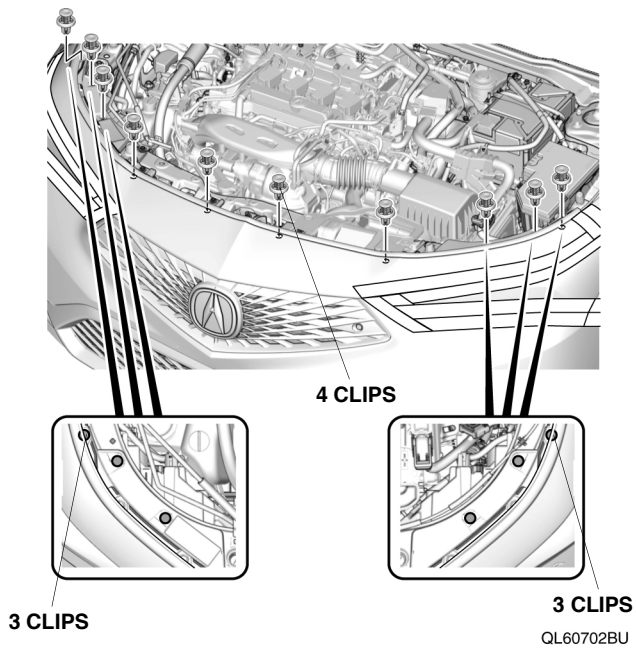
2. Attach masking tape to protect the vehicle.

### NOTE

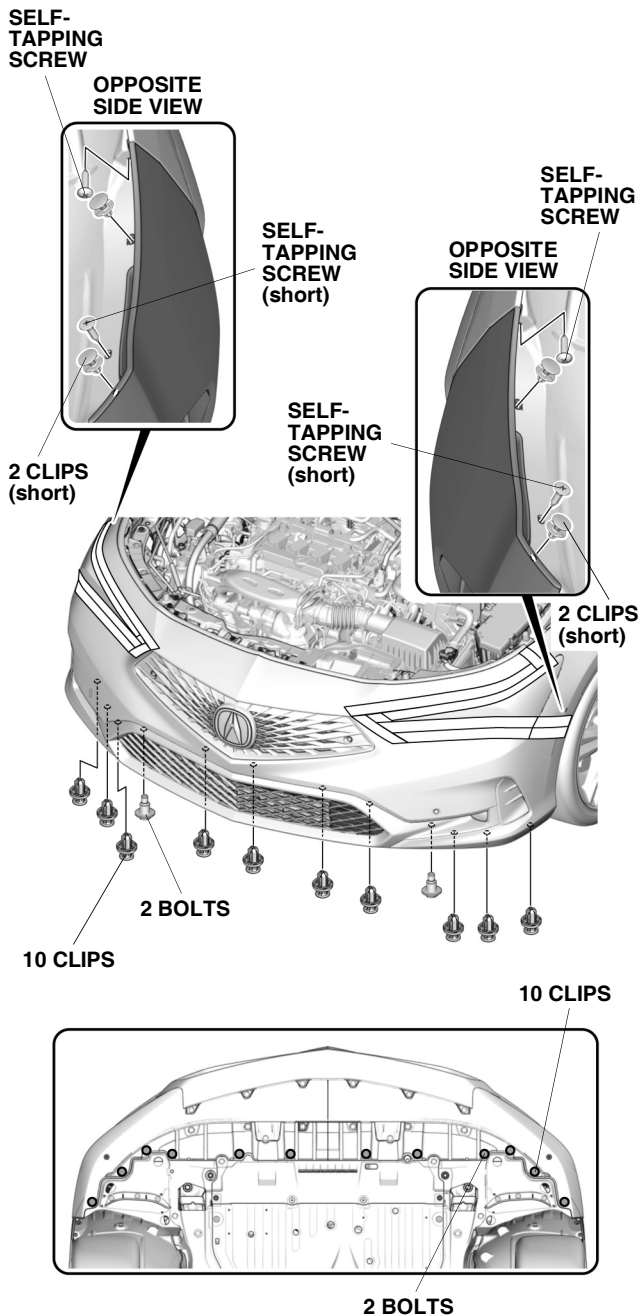
Do not remove the masking tape until after the parts are installed.



3. Remove the clips.



4. Remove the self-tapping screws, clips, and bolts.

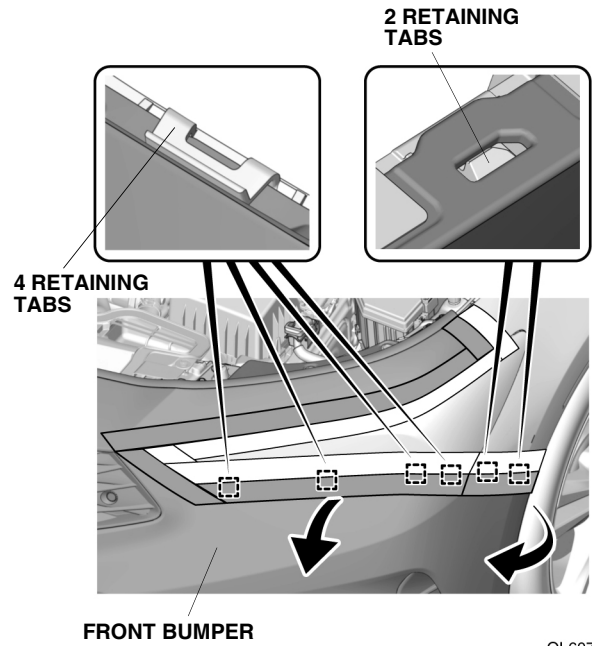
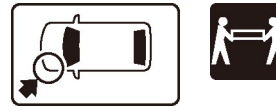


QL60703AU

5. Release the retaining tabs.

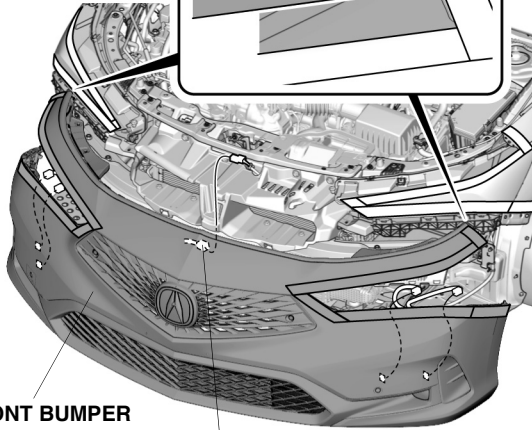
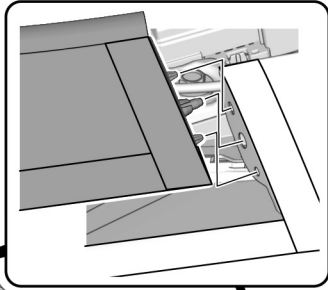
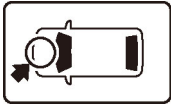
**NOTE**

- Release the retaining tabs in order from outside.
- Make sure to release the retaining tabs in the correct orientation.



QL60704AU

6. Repeat step 5 on the other side.
7. Remove the front bumper.



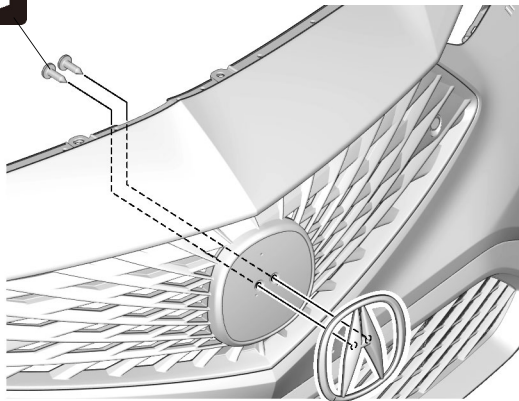
**FRONT BUMPER**

**VEHICLE CONNECTORS  
(if equipped)**

QL60705AU

8. Remove the vehicle front A emblem.

**2 SELF-TAPPING  
SCREWS**

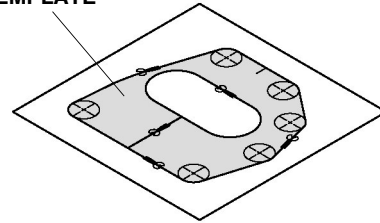


**VEHICLE FRONT  
A EMBLEM**

QL61402BT

9. Cut the template.

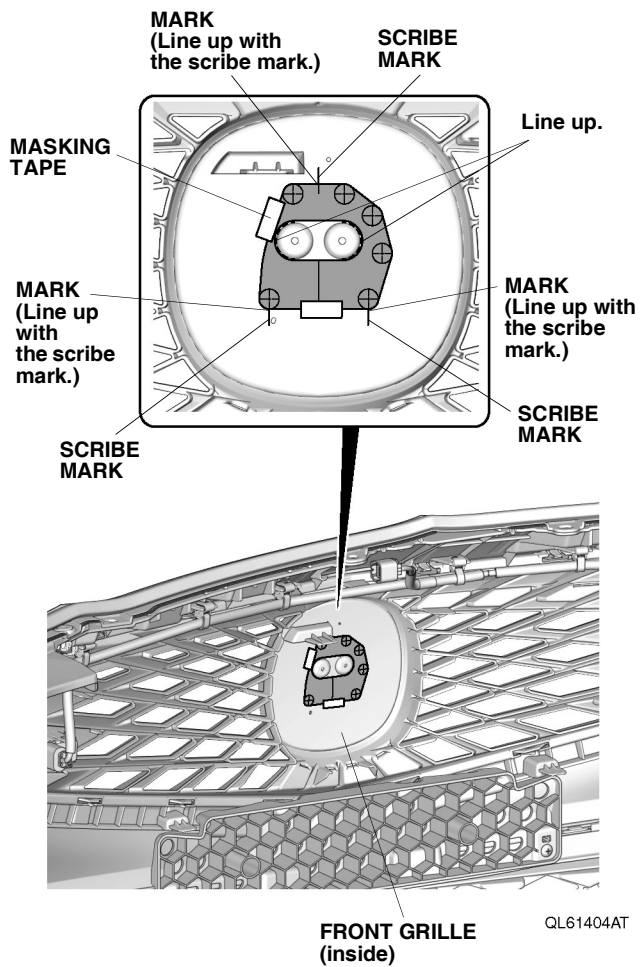
**TEMPLATE**



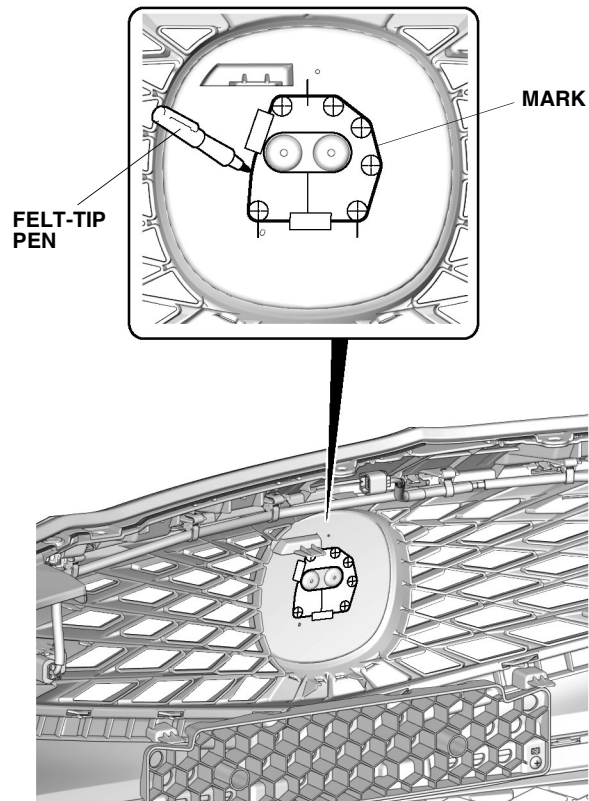
QL61403BT

10. Secure the template.



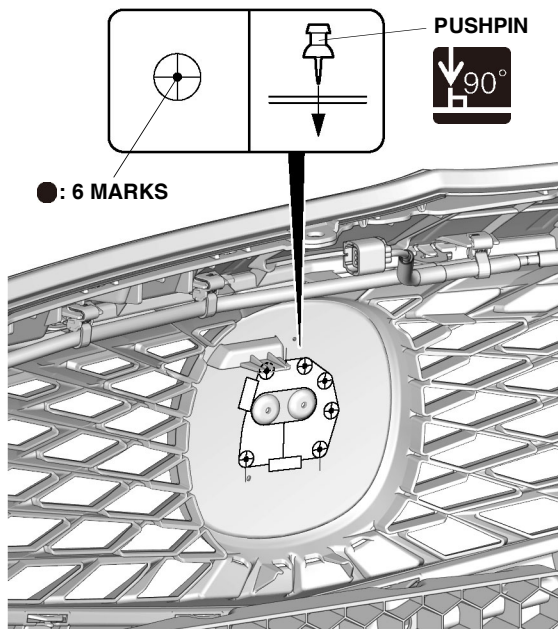


11. Mark the front grille.



QL61405AT

12. Pierce the front grille.

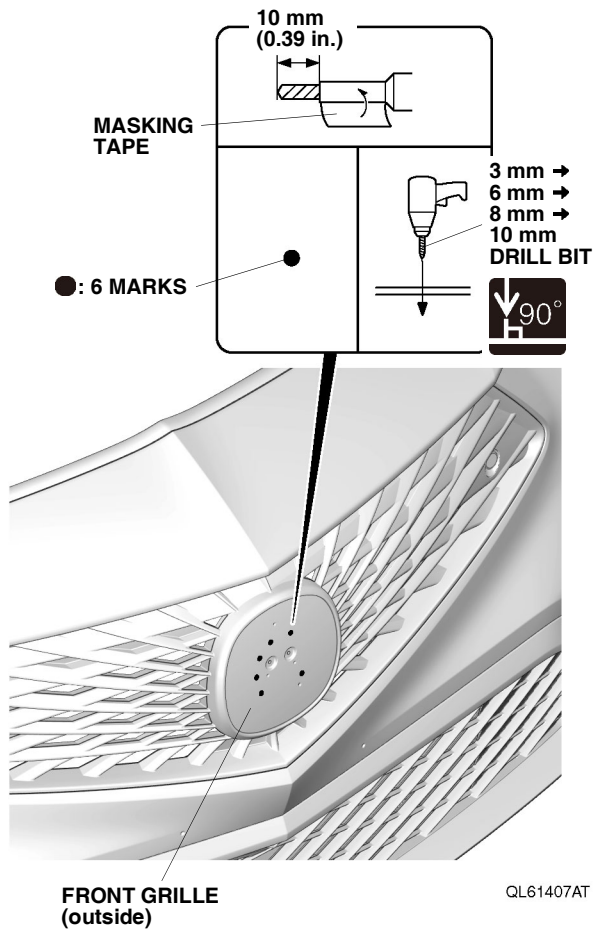


QL61406AT

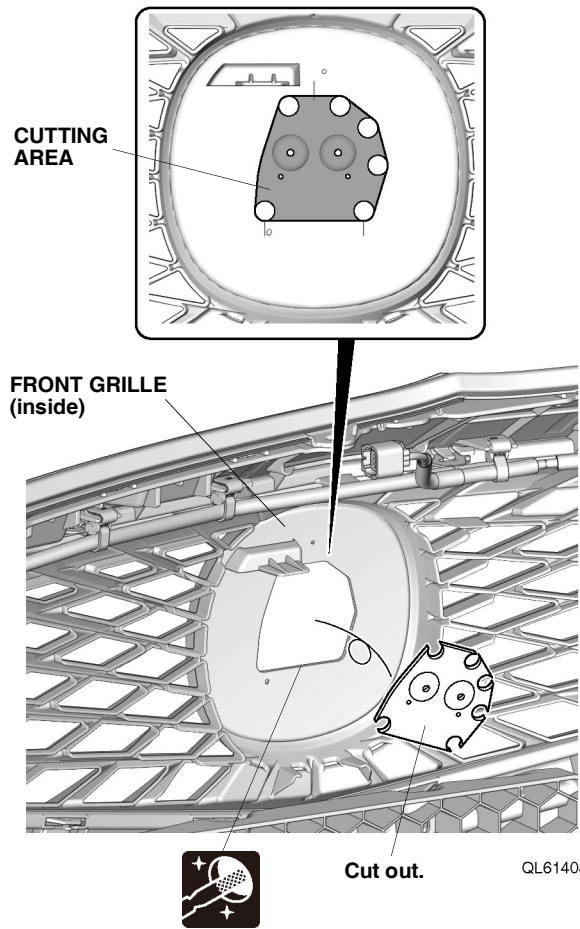
13. Remove the template.
14. Drill the front grille.

### NOTICE

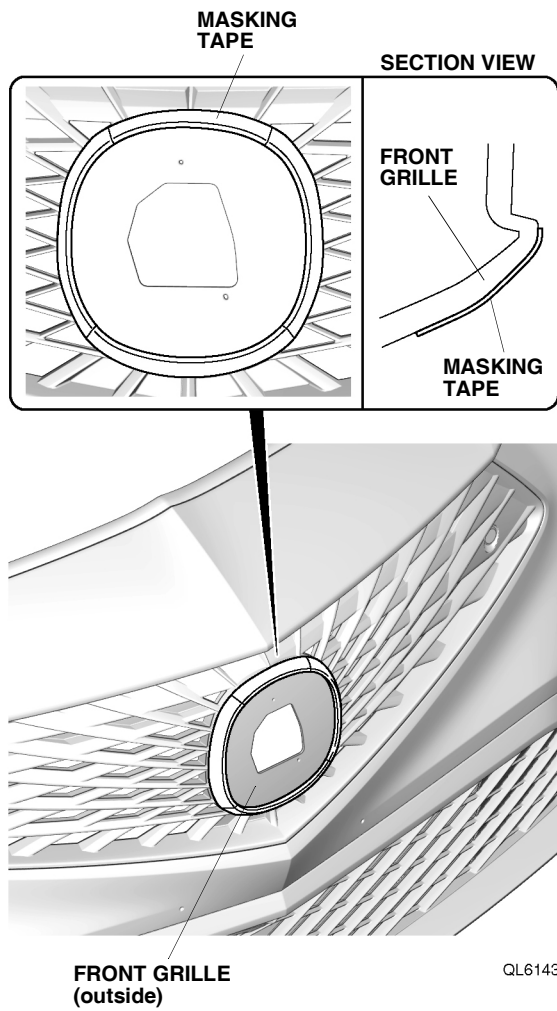
Do not skip the size of the drill bit as it may damage the front grille.



15. Cut the front grille.



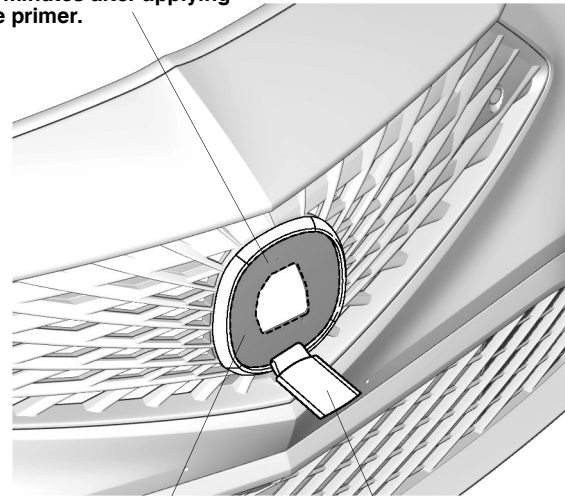
16. Attach the masking tape.



17. Clean the attaching area.



Dry thoroughly, more than 10 minutes after applying the primer.



18. Apply the primer.

## NOTE

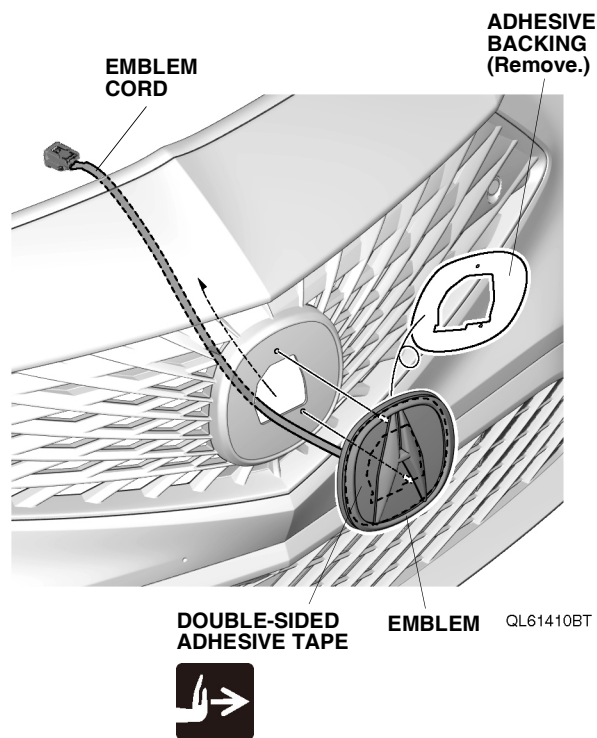
- Apply the primer evenly.
- Be careful not to apply the primer anywhere except the indicated area.
- Do not apply additional primer.
- Attach the accessories within 24 hours after applying the primer.
- Do not use an expired primer.

19. Remove the masking tape.

20. Install the emblem.

## NOTICE

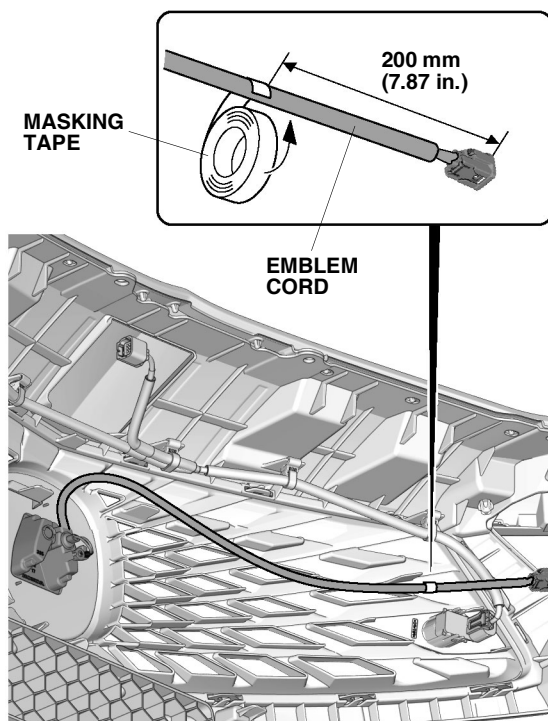
Check the position of the double-sided adhesive tapes and make sure to press firmly.



21. Choose one of these options.

- With parking sensors  
Go to step 22
- Without parking sensors  
Go to step 24

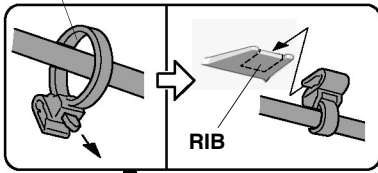
22. Mark the emblem cord.



QL61430AT

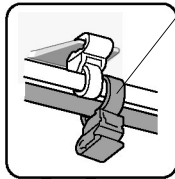
23. Secure the emblem cord.

**WIRE TIE WITH CLIP**

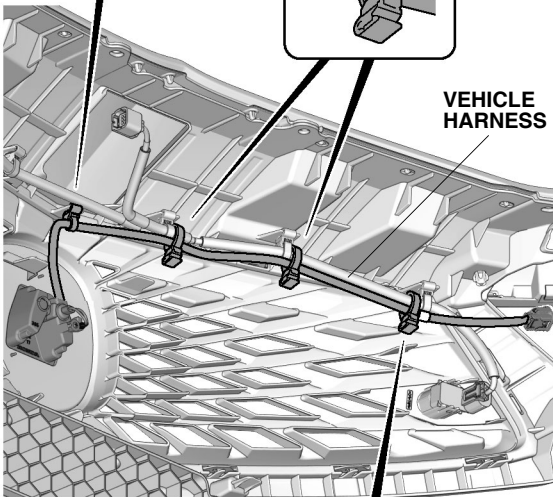


**RIB**

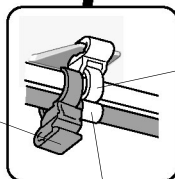
**2 WIRE TIES WITH CLIP**



**VEHICLE HARNESS**



**WIRE TIE WITH CLIP**



**VEHICLE CLIP**

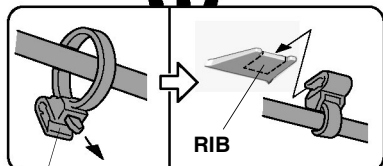
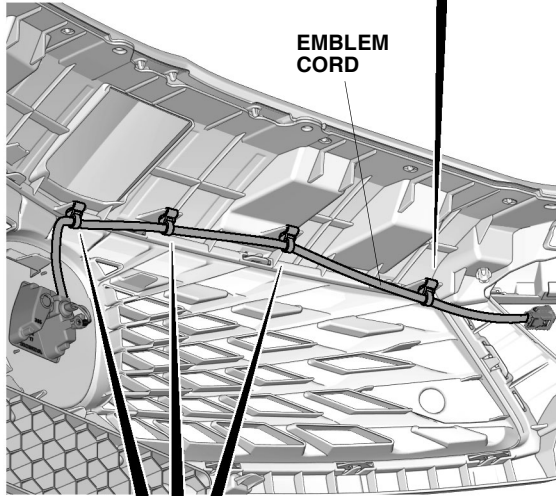
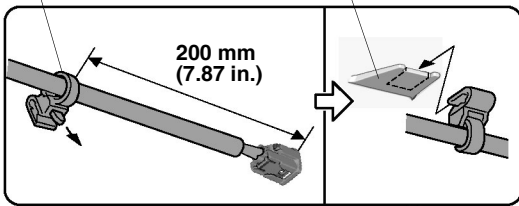
**MASKING TAPE  
(Line up with  
the vehicle clip.)**

QL61411BT

Go to step 25

24. Secure the emblem cord.

WIRE TIE WITH CLIP

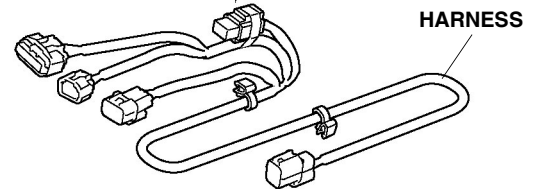
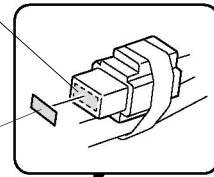


25. Attach the fuse label.

FUSE CASE



FUSE LABEL (2A OPTION)

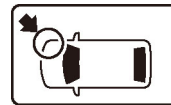


QL61413AT

26. Release the reserve tank.

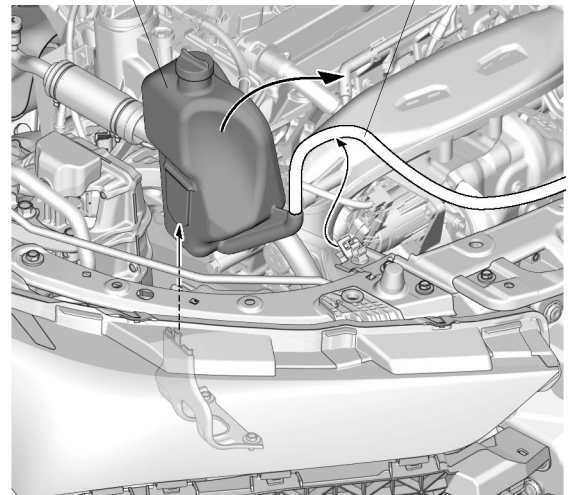
**NOTE**

Do not disconnect the tube.



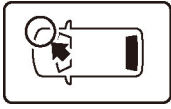
RESERVE TANK

TUBE

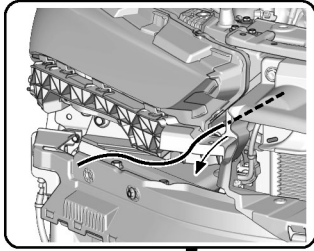


QL61432AT

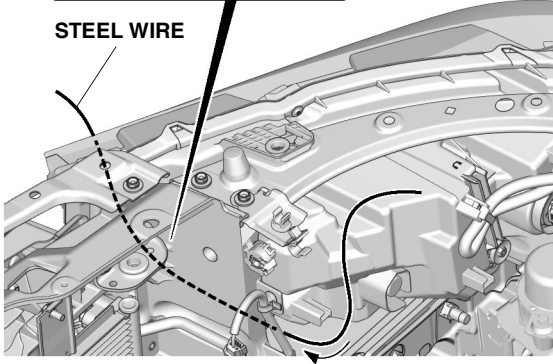
27. Route the steel wire.



OPPOSITE SIDE VIEW

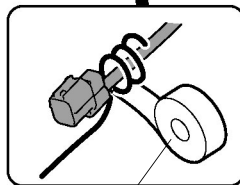
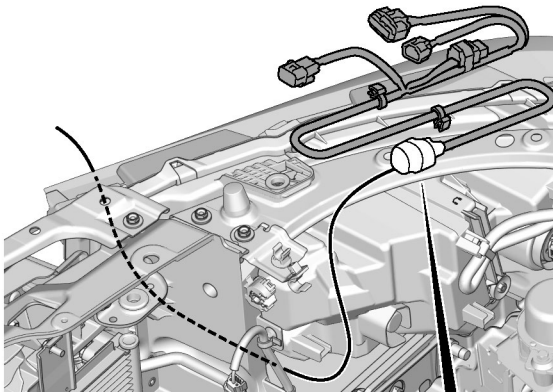


STEEL WIRE



QL61414BT

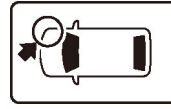
28. Attach the steel wire.



ELECTRICAL TAPE

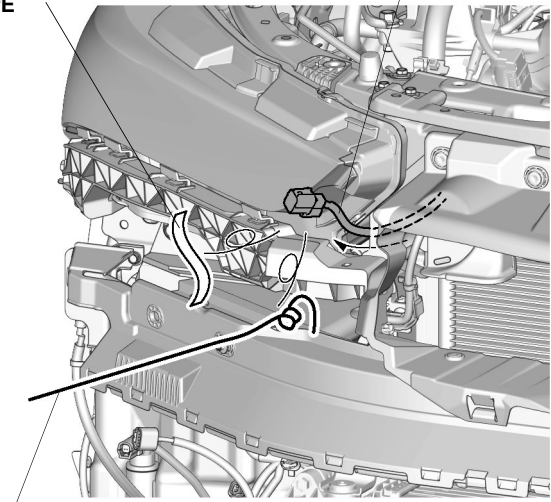
QL61415BT

29. Route the harness.



ELECTRICAL TAPE

HARNESS



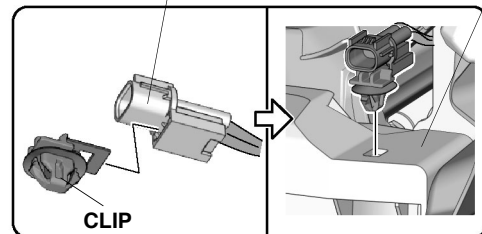
STEEL WIRE

QL61416BT

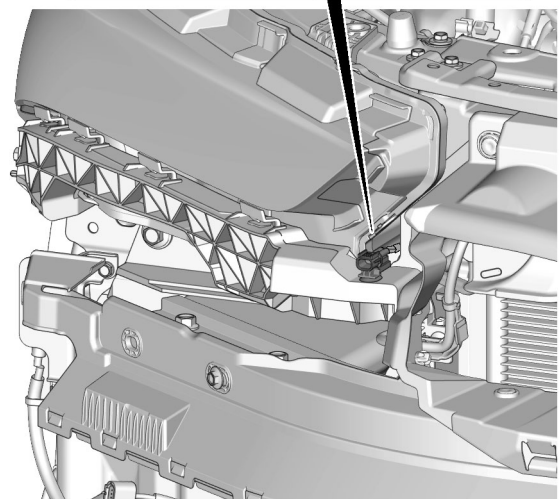
- 30. Remove the steel wire.
- 31. Secure the harness connector.

HARNESS 2-PIN CONNECTOR

VEHICLE PANEL



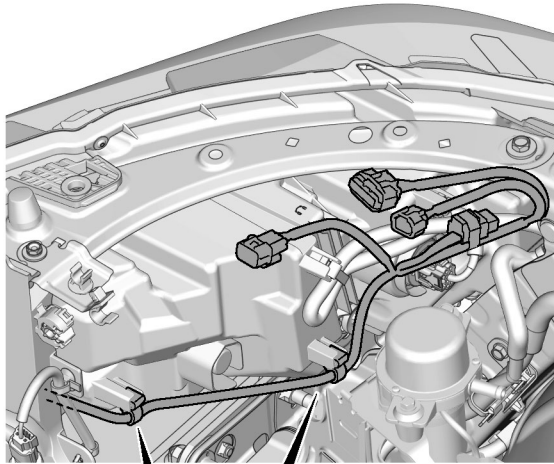
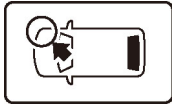
CLIP



QL61417AT

32. Secure the harness.



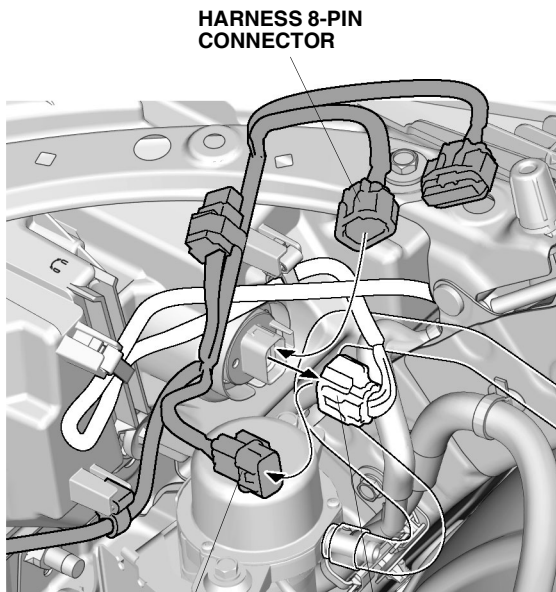


RIBS

2 HARNESS CLIPS

QL61418BT

33. Plug in the harness connector.



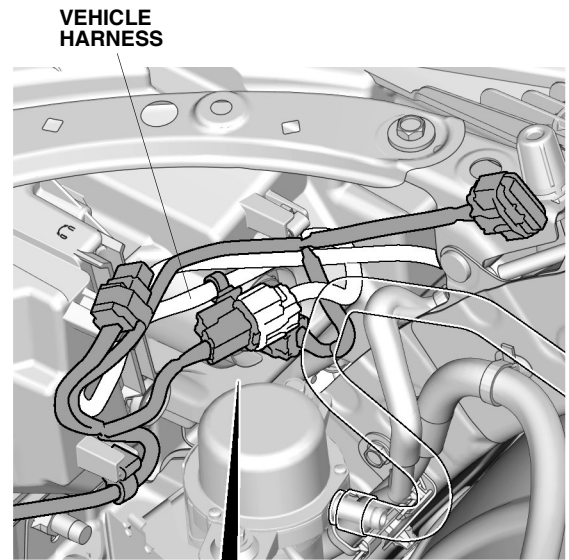
HARNESS 8-PIN CONNECTOR

HARNESS 8-PIN CONNECTOR

VEHICLE 8-PIN CONNECTOR

QL61419BT

34. Secure the harness.



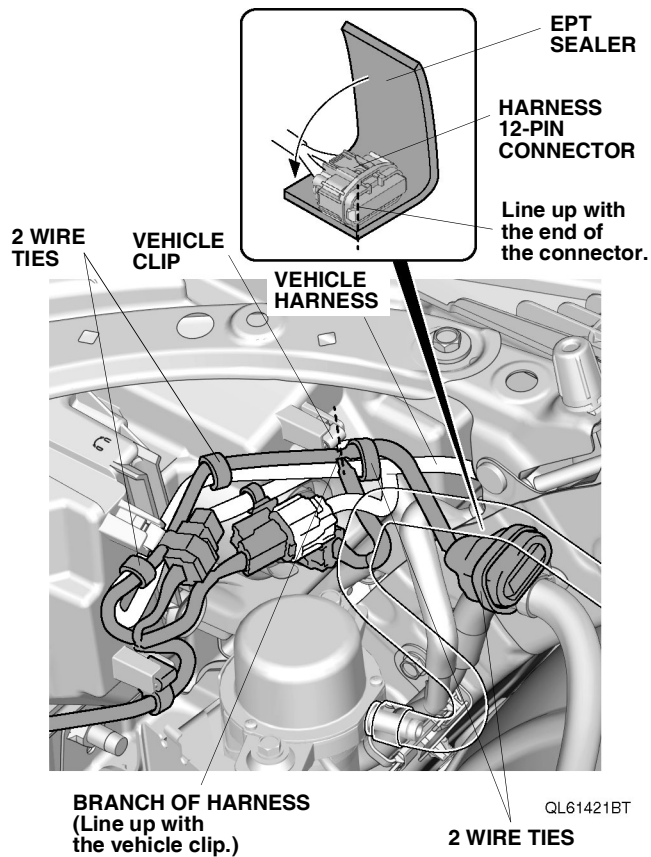
VEHICLE HARNESS

WIRE TIE WITH HOLDER

8-PIN CONNECTORS

QL61420BT

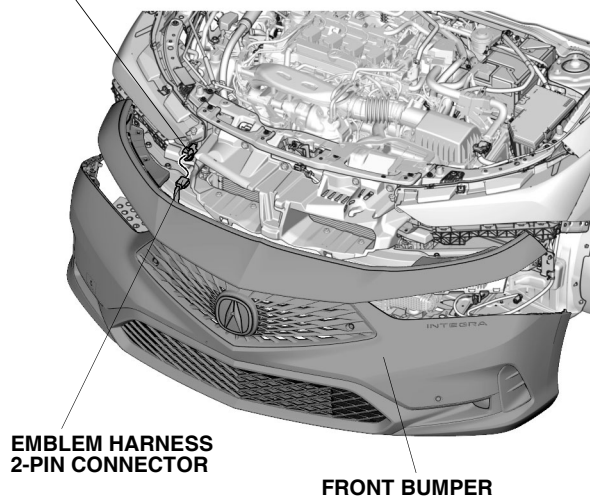
35. Wrap the EPT sealer.



36. Secure the harness and harness connector.
37. Plug in the harness connector.



HARNESS 2-PIN CONNECTOR

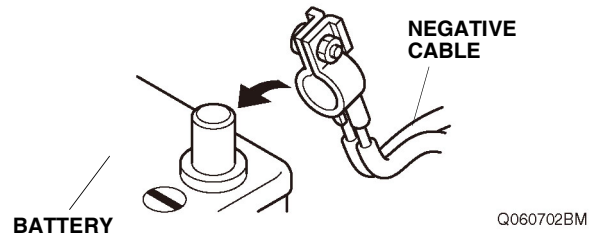


38. Install the front bumper.

39. Check that all parts are installed and properly routed.

<b>NOTE</b>
<ul style="list-style-type: none"> <li>• Check that all harnesses are not pulled or pinched.</li> <li>• Make sure all clips and wire ties are securely installed.</li> </ul>

40. Install all removed parts.
41. Connect the negative cable to the battery.



42. Turn the engine switch to ON, check that the light comes on.
43. Make sure all accessories and systems operate properly.
44. If necessary, restore the systems back to normal operation as described in the service information.
45. Press and hold the audio unit power button for 2 seconds to restore the audio and navi (if equipped) system functions.