

Germain Honda of College Hills



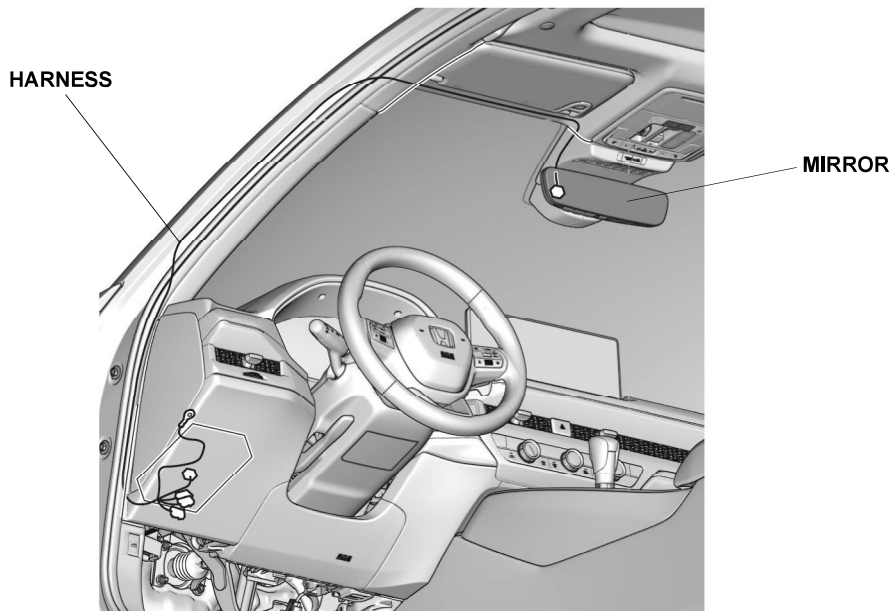
INSTALLATION INSTRUCTIONS

Accessory
AUTOMATIC DAY/NIGHT
MIRROR

Application
2023 ACCORD
MODEL SERIES

Publications No.
VERSION 1
Issue Date
DEC 2022

GENERAL VIEW



QM32304AB

FOR YOUR SAFETY (Read carefully.)

Warning Symbols

Safety: Your safety, and the safety of others, is important. To help you make informed decisions about service procedures, we have provided safety messages where appropriate. Of course, it is not practical or possible to warn you about all the hazards associated with servicing a vehicle - you must use your own good judgment.

You will find important safety messages preceded by one of the following symbols:

*All symbols are not used in all installation instructions.

⚠ DANGER

You will be killed or seriously hurt if you do not follow the instructions.

⚠ WARNING

You can be killed or seriously hurt if you do not follow the instructions.

⚠ CAUTION

You can be hurt if you do not follow the instructions.

NOTICE

Gives advice to prevent damage to the product, vehicle, the environment or other property.

NOTE

Gives helpful information or instructions to be followed when installing this product.

Germain Honda of College Hills

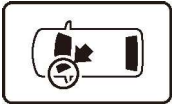


Indicates a prohibited action.

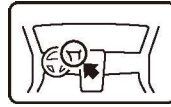
Procedure and Location Icons

These icons indicate the work location and the worker's point of view.

*All icons are not used in all installation instructions.



The location on the vehicle.



The location in the vehicle.
(Instrument panel.)



Wear eye protection.



Wear heavy gloves.



Use an assistant.



Place the part on a blanket.



Work perpendicular.



Remove any burrs.



Use touch-up paint and allow to dry.



Tighten to the specified torque.



Apply firm pressure while rolling, especially at the ends, to set the adhesive.



Press firmly.

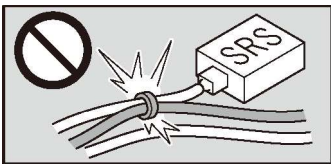


Clean with isopropyl alcohol.

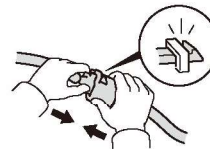


Return the original part to the customer.
(Do not reuse.)

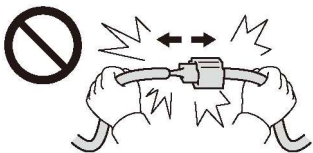
Wire Harness Routing Precaution



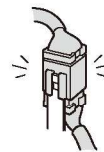
Do not secure the accessory harness to the SRS harness. (except for instruction cases.)



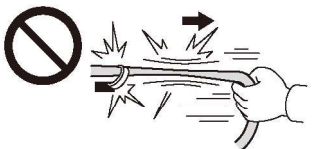
Push the connectors and terminals together until they lock.



Do not pull the harness to unplug the connectors.



Install removed connectors in their original location.



Do not pull the harness.

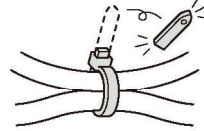


Secure the accessory harness as shown.

Germain Honda of College Hills



Do not pinch the harness.



Cut off the excess wire tie.

Safety: General

- Observe all safety notes and precautions described in the service information, in addition to those described in this Installation Instruction. Be extremely careful for your safety and safety of others.
- Be careful not to damage the vehicle or the parts.
- Be extremely careful when handling retaining tabs and clips.
- Note the locations of the parts before removing them so they can be properly installed in their original positions.
- The illustrations may differ slightly from the actual accessory.

Safety: Electric Parts

Always disconnect the negative cable from the battery before beginning work.

Safety: Accessory

- Always use the parts and tools specified in the installation instructions.
- Do not install the accessory on a dirty surface or in direct sunlight.
- Make sure the ambient air temperature is 60°F (15°C) or above when installing accessories that use adhesive material.
- When pressing the accessory firmly with the palm of your hand, be careful not to damage it or the vehicle.
- When applying adhesive material, make sure it is lined up properly before attaching. Once the adhesive material touches the surface, do not try to remove it. If you do, you could damage the part.
- Do not wash the vehicle or moisten it for 24 hours to allow the adhesive to cure.

PARTS LIST

Attachment Kit (P/N 08V03-30A-100)

Harness	Wire ties (10) (Some may not be used)	Fuse label	15A Fuse (May not be used)

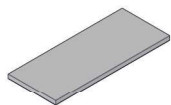
Germain Honda of College Hills

Clip



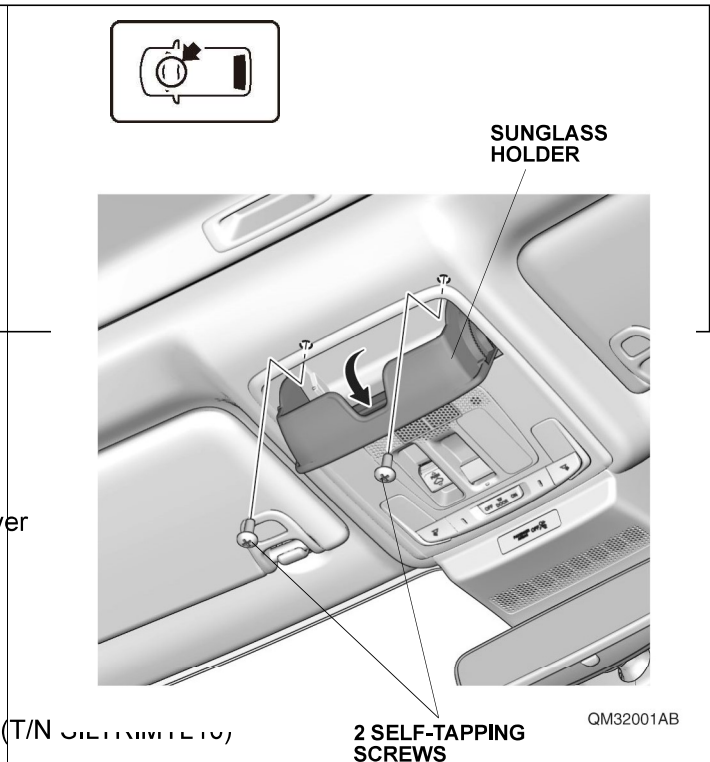
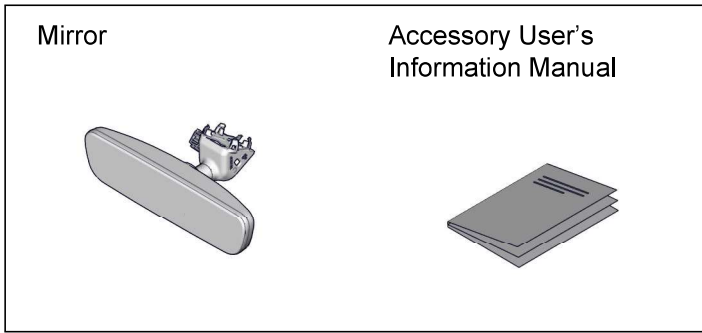
Urethane tapes (3)

(Some may not be used)



Automatic Day/Night Mirror Kit (P/N 08V03-3A0-100)

Germain Honda of College Hills



REQUIRED TOOLS AND SUPPLIES

- 10 mm Open end wrench
- 10 mm Socket
- Isopropyl alcohol
- Flat-tip screwdriver
- Shop towel
- Phillips screwdriver
- Masking tape
- Scissors

The following tools are available through the Honda Tool and Equipment Program:

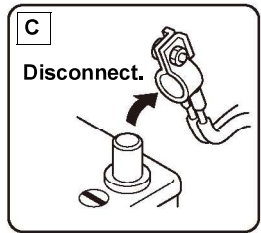
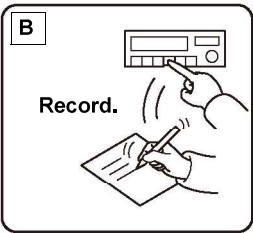
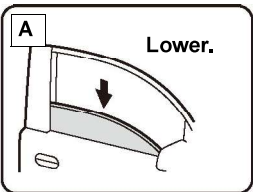
- Trim Tool Set (T/N SOJATP2014)
- Plastic Trim Tool (T/N SLETRIM1E19)

INSTALLATION

1. Disconnect the negative cable from the battery.

NOTE

With the driver's door open, turn the vehicle to the OFF (Lock) mode, then wait at least 3 minutes before disconnecting the 12 volt negative battery cable.

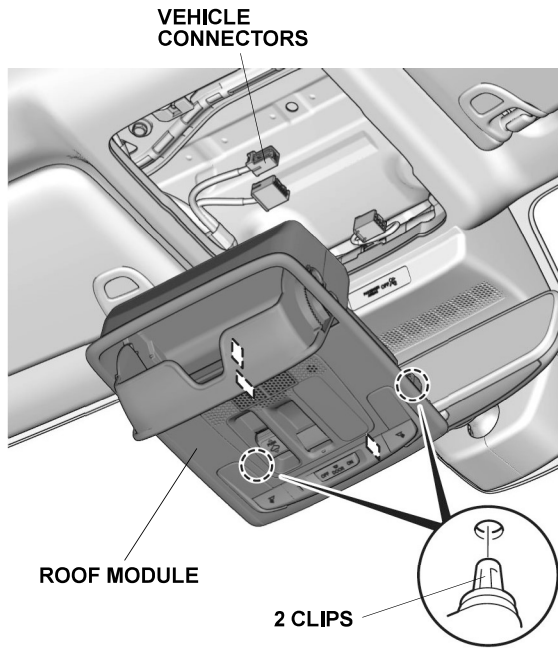


QCD0502BM

2. Remove the self-tapping screws.

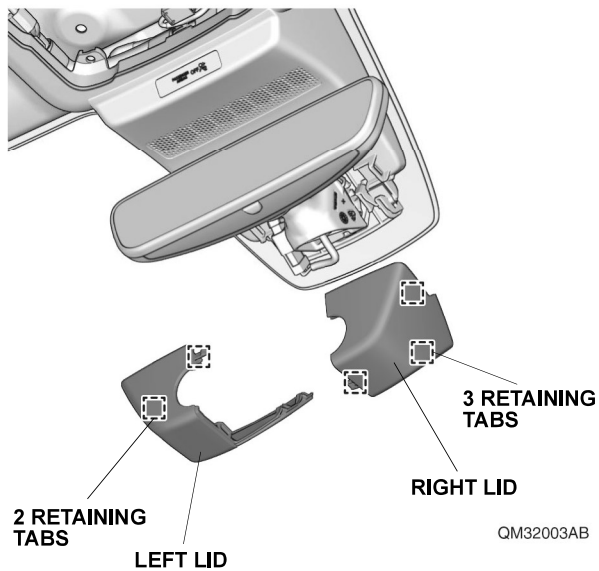
3. Remove the roof module.

Germain Honda of College Hills



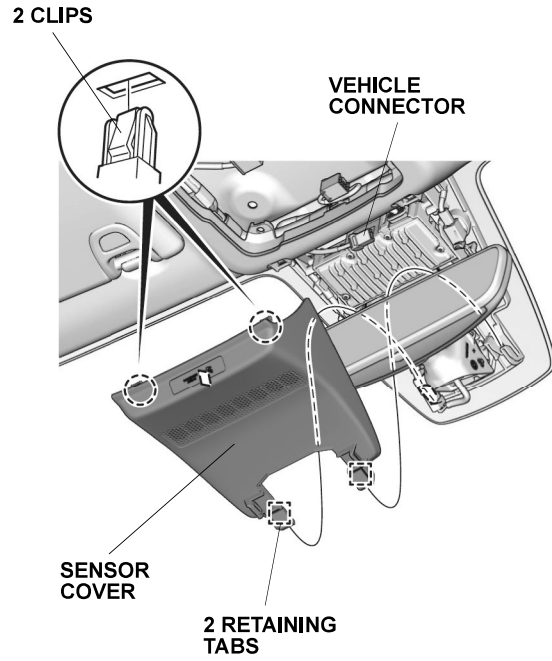
QM32002AB

4. Remove the left and right lids.



QM32003AB

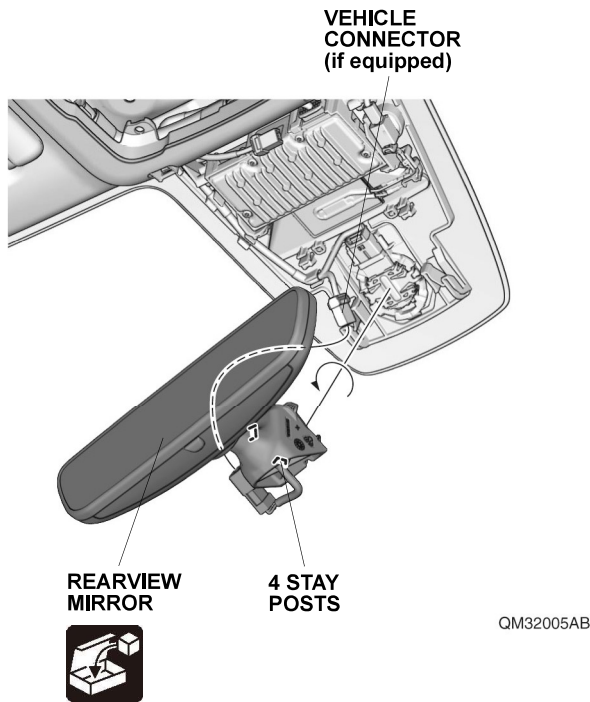
5. Remove the sensor cover.



QM32004AB

6. Remove the rearview mirror.

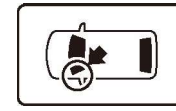
Germain Honda of College Hills



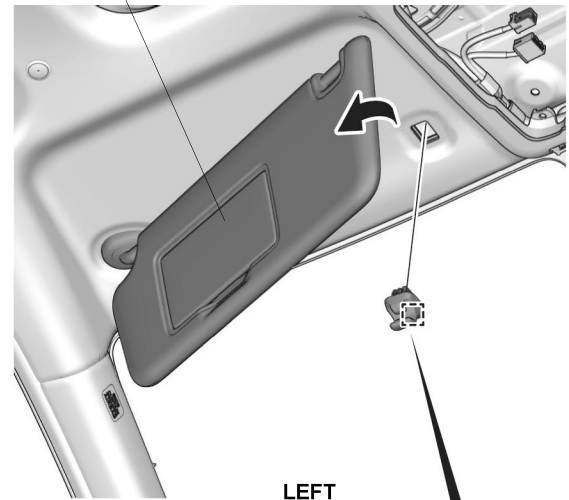
7. Remove the left holder.

NOTE

Do not push the retaining tab excessively.

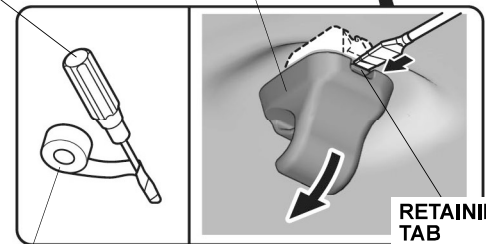


LEFT SUNVISOR



FLAT-TIP SCREWDRIVER

LEFT HOLDER



MASKING TAPE

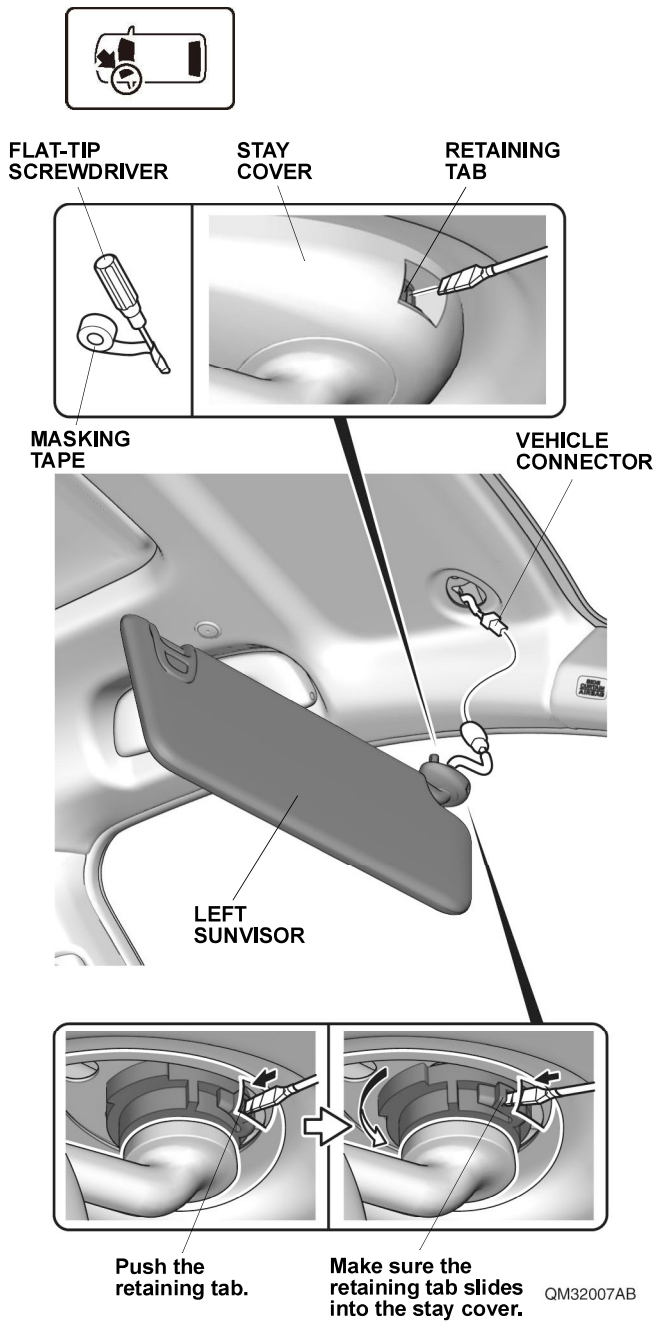
OPPOSITE SIDE VIEW

RETAINING TAB (Push.)

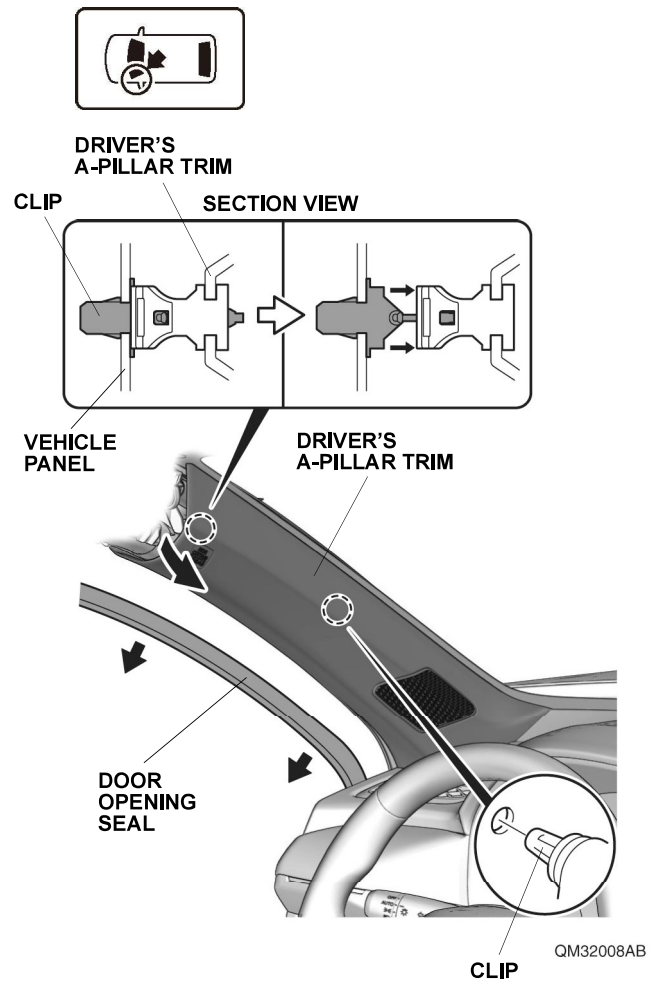
QM32006BB

Germain Honda of College Hills

8. Remove the left sunvisor.

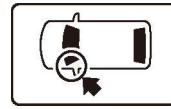


9. Release the clips.

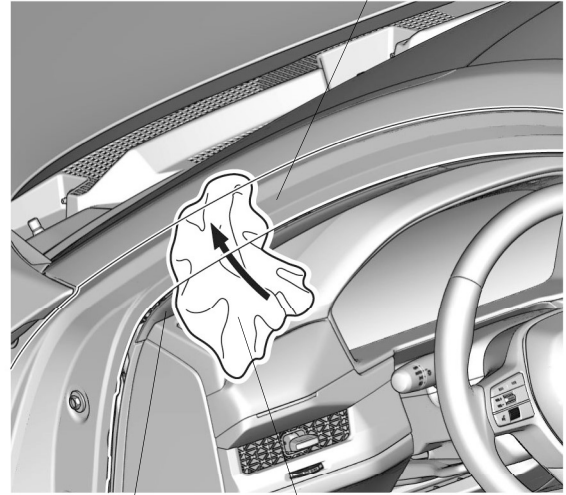


10. Insert the shop towel.

Germain Honda of College Hills



DRIVER'S A-PILLAR



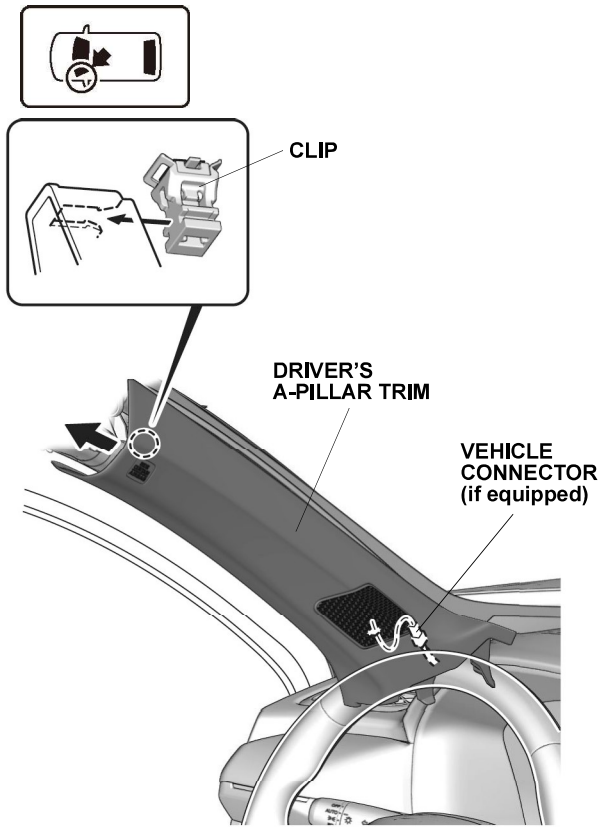
DRIVER'S
A-PILLAR TRIM

SHOP
TOWEL

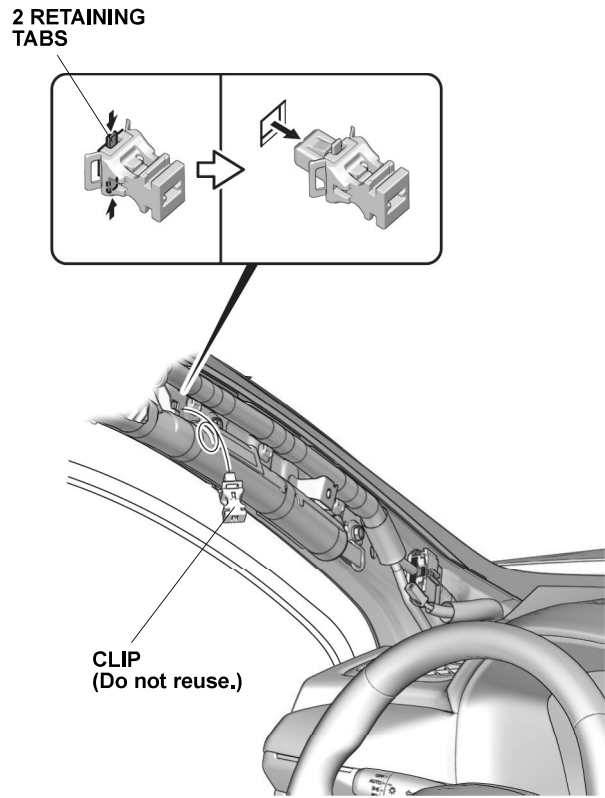
QM32009AB

11. Remove the driver's A-pillar trim.

Germain Honda of College Hills

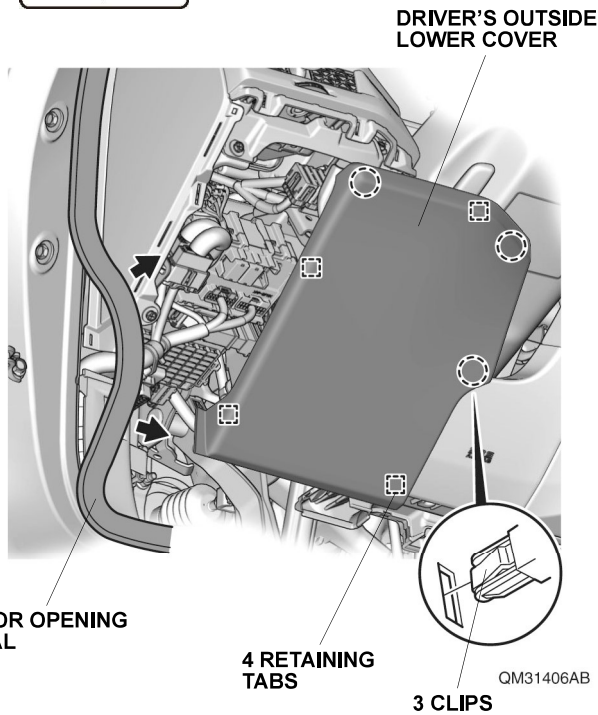


12. Remove the clip.

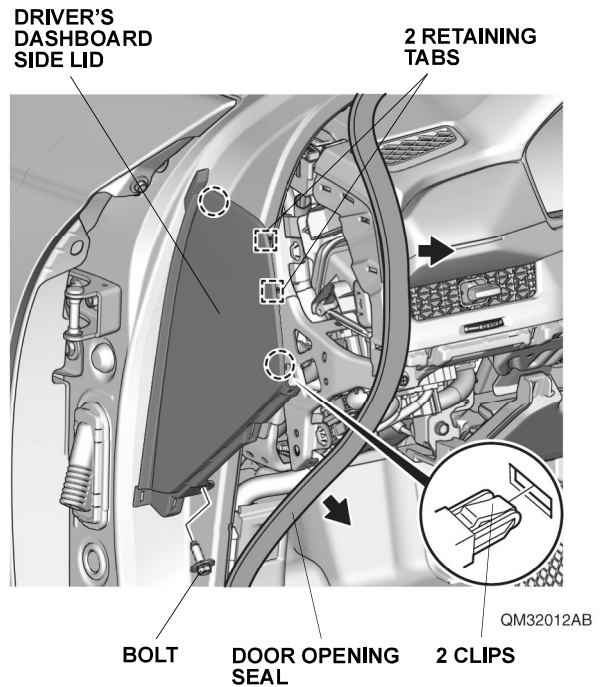


13. Remove the driver's outside lower cover.

Germain Honda of College Hills



14. Remove the driver's dashboard side lid.

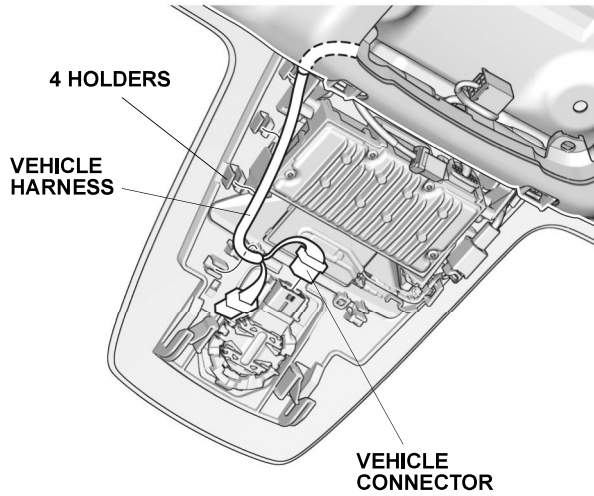
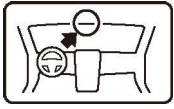


15. Choose one of these options.

- | | |
|---|---------------|
| • With automatic day/night mirror and automatic intermittent wipers | Go to step 16 |
| • With automatic day/night mirror | Go to step 25 |
| • Without automatic day/night mirror | Go to step 28 |

16. Release the vehicle harness.

Germain Honda of College Hills

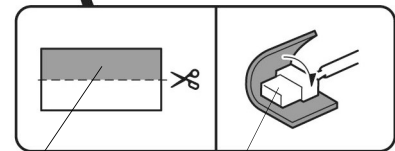
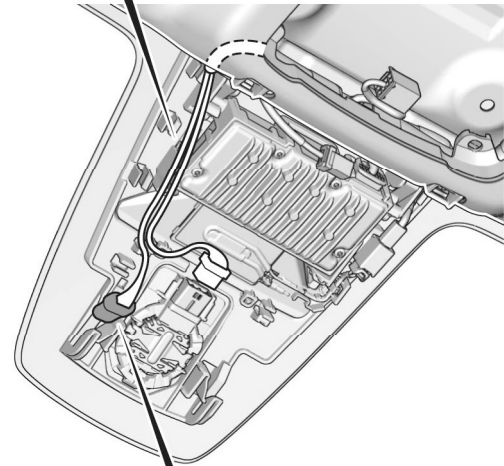
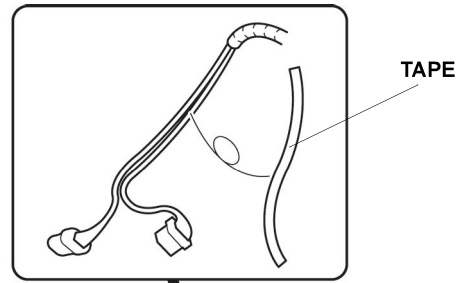


QM32013AB

17. Remove the tape.

NOTE

Be careful not to damage the vehicle harness.



URETHANE
TAPE
(Cut in half.)

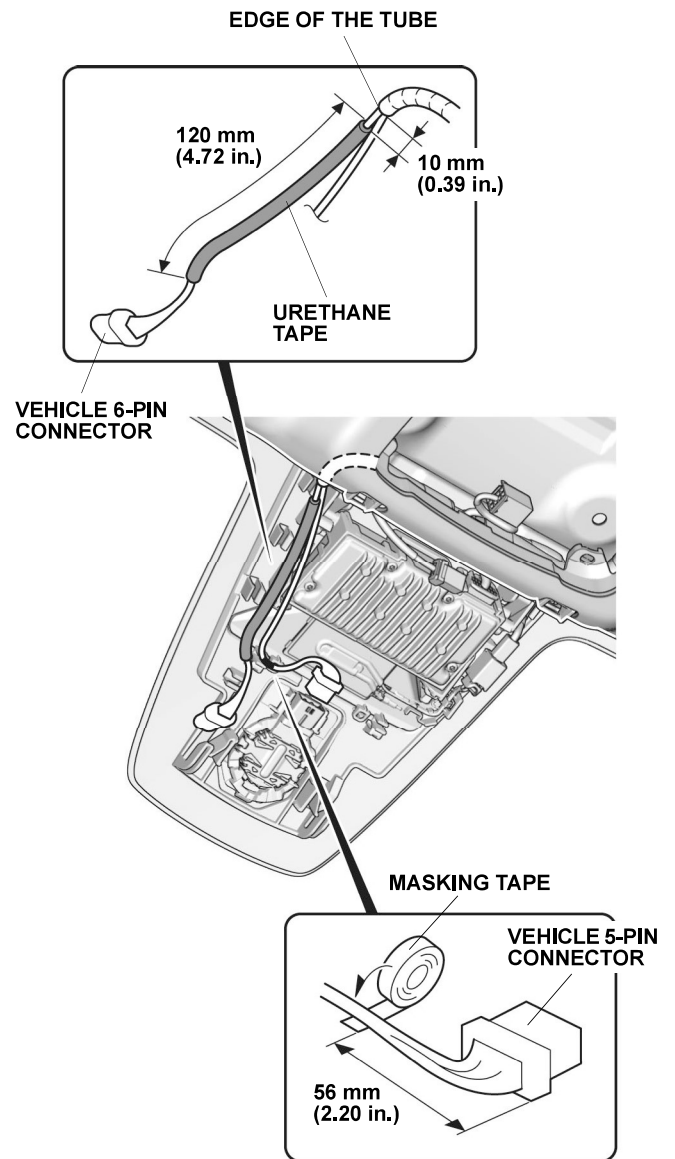
VEHICLE 6-PIN
CONNECTOR
(Not used.)

QM32014AB

18. Attach the urethane tape.

19. Wrap the urethane tape.

Germain Honda of College Hills



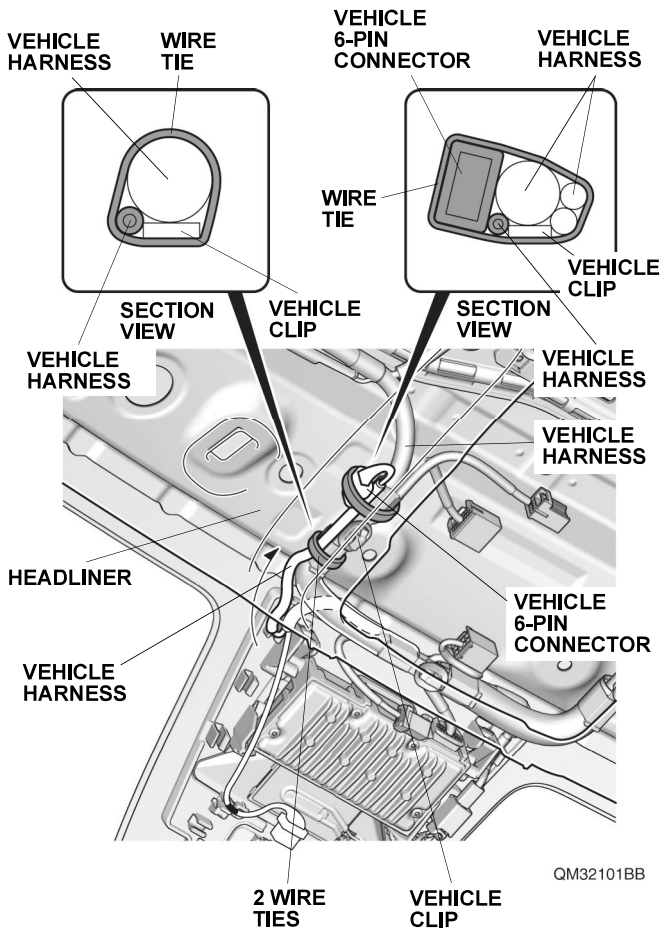
QM32015CB

20. Mark the vehicle harness.
21. Secure the vehicle harness and connector.

NOTE

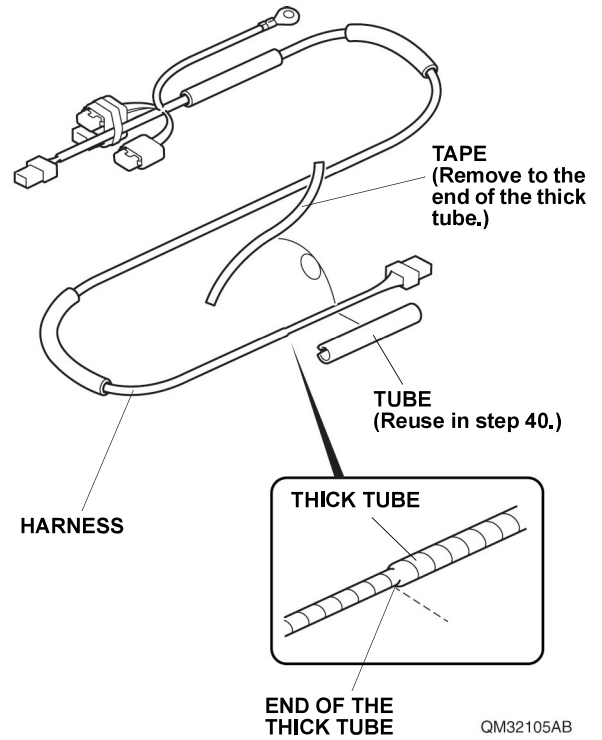
Do not crease the headliner.

Germain Honda of College Hills



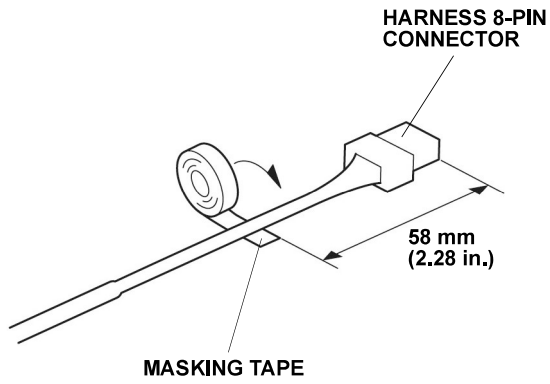
22. Remove the tube.

NOTE
Be careful not to damage the harness.



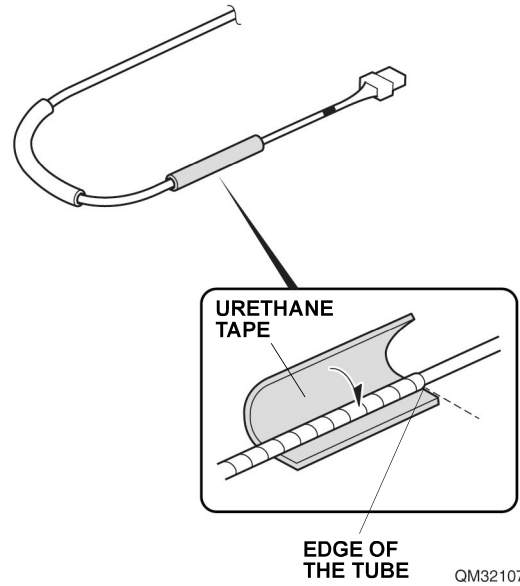
23. Mark the harness.

Germain Honda of College Hills



QM32106AB

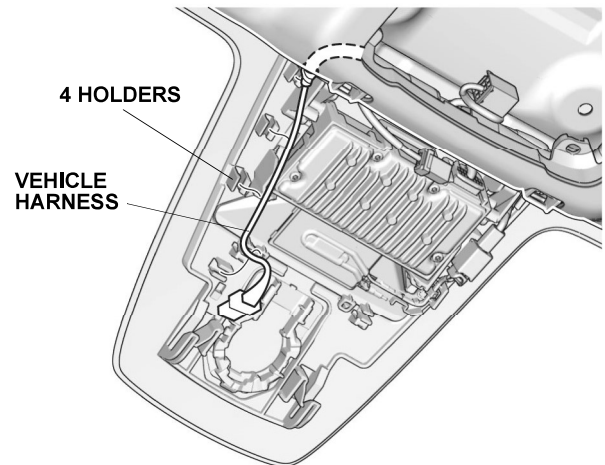
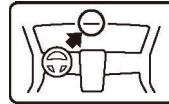
24. Wrap the urethane tape.



QM32107AB

Go to step 29

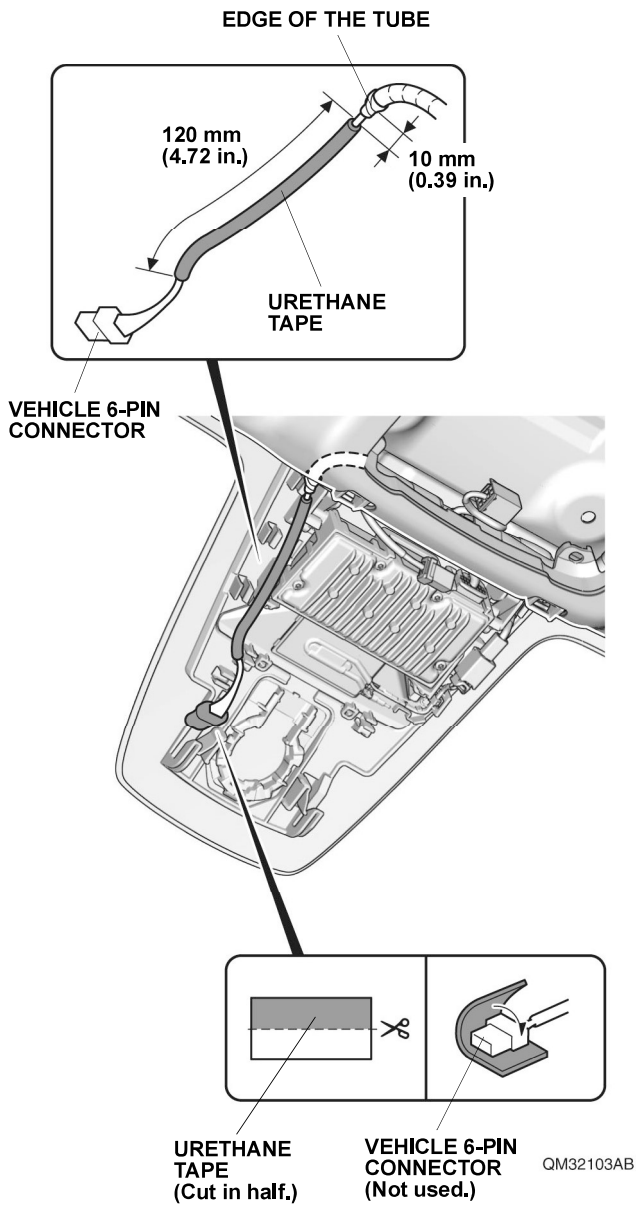
25. Release the vehicle harness.



QM32102AB

26. Attach the urethane tapes.

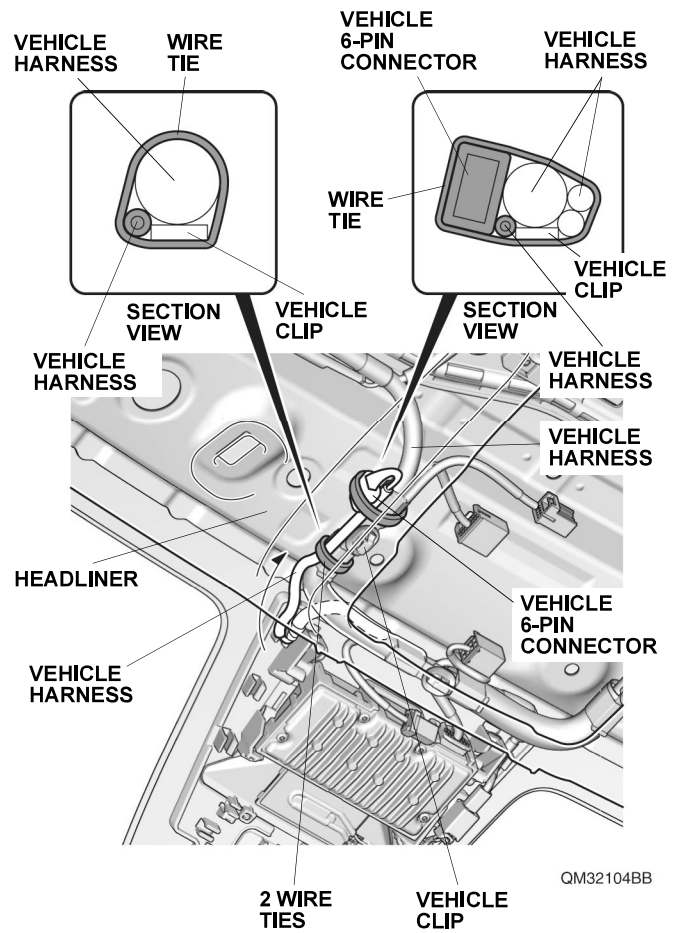
Germain Honda of College Hills



27. Secure the vehicle harness and connector.

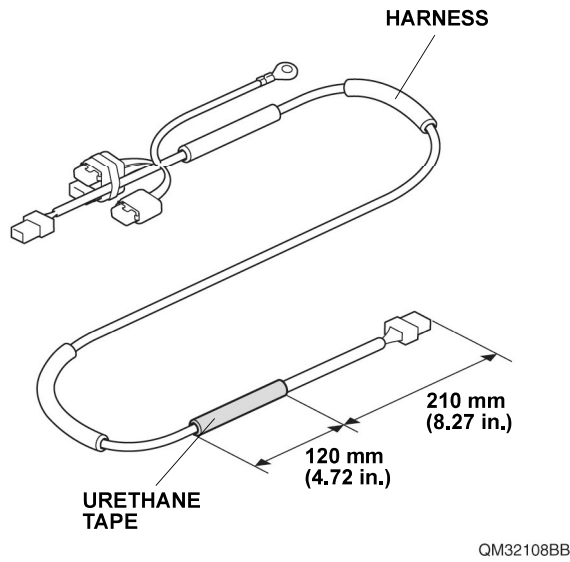
NOTE

Do not crease the headliner.

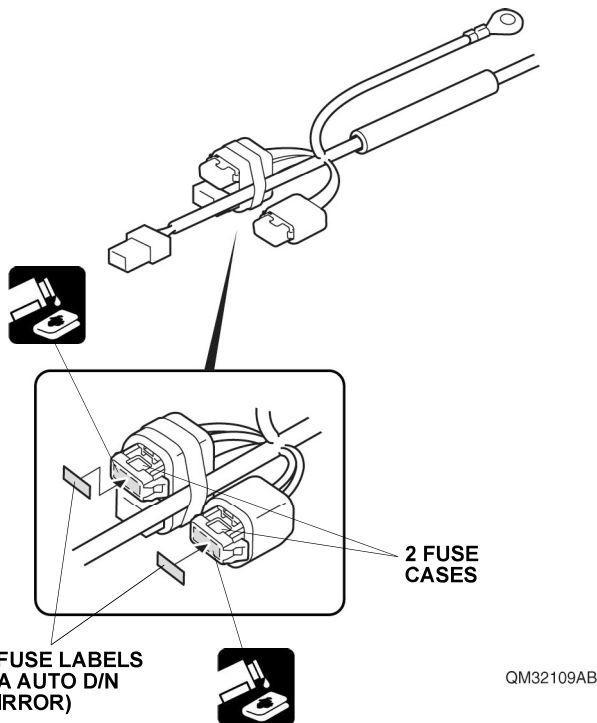


28. Wrap the urethane tape.

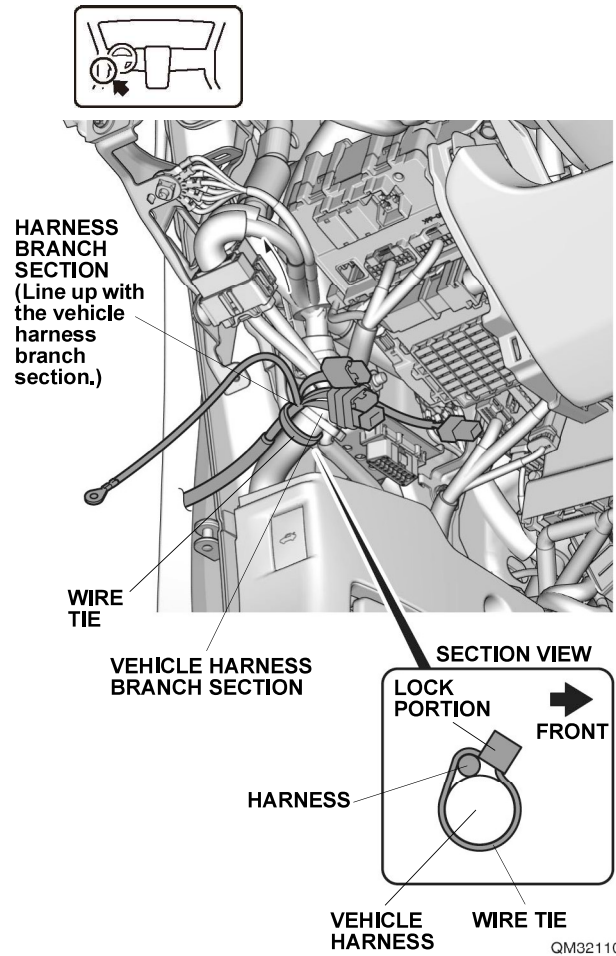
Germain Honda of College Hills



29. Attach the fuse labels.



30. Secure the harness.

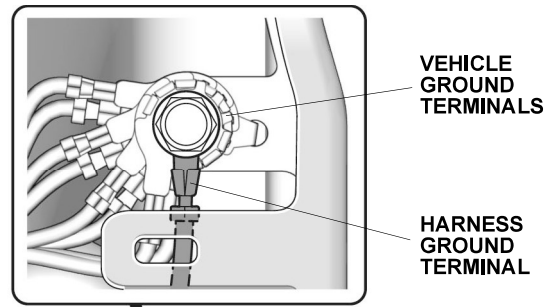


31. Secure the harness ground terminal.

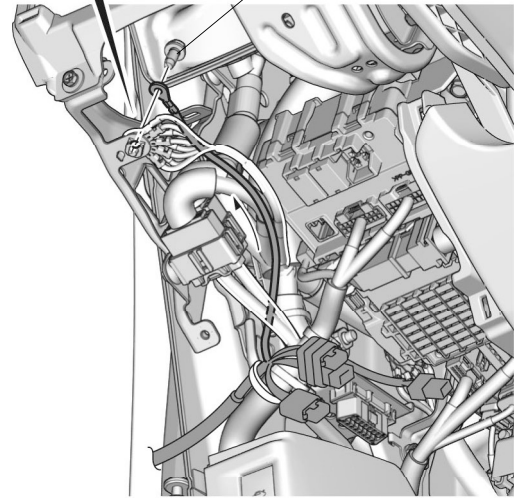
NOTE

Do not put the ground terminal crimping on top of one another.

Germain Honda of College Hills



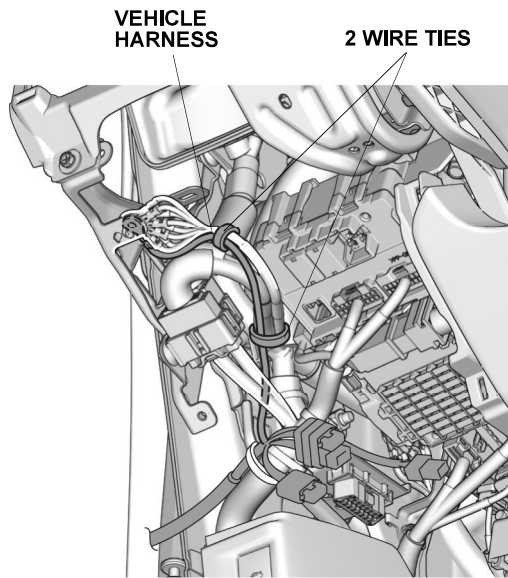
VEHICLE BOLT



QM32111AB

32. Secure the harness.

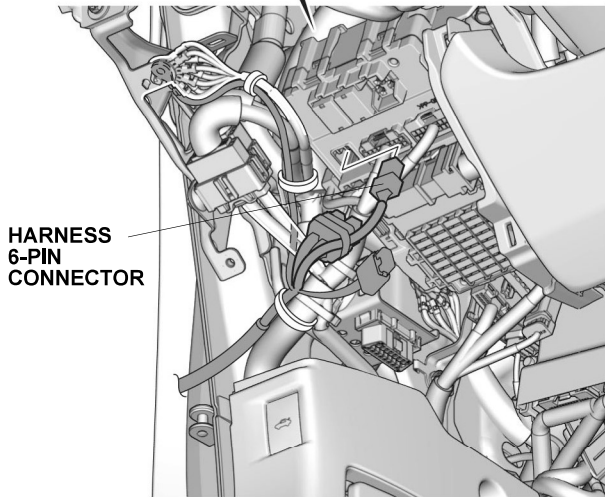
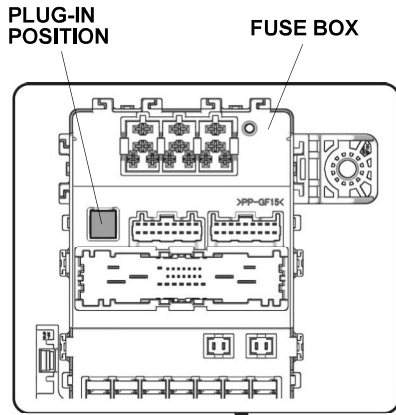
Germain Honda of College Hills



QM32201AB

33. Plug-in the harness connector.

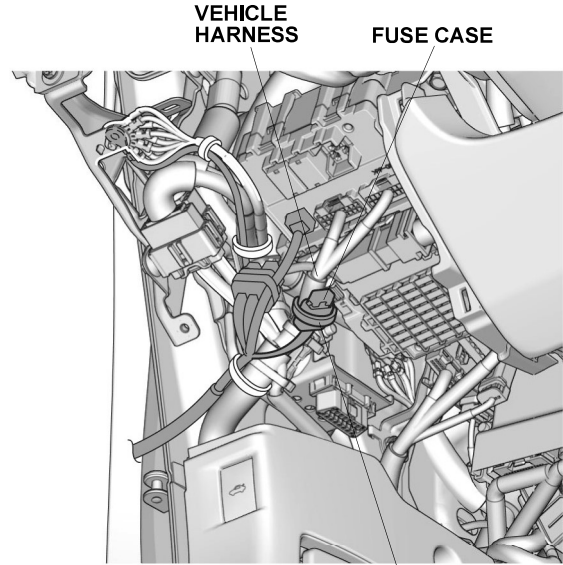
Germain Honda of College Hills



WITH OTHER ACCESSORY HARNESS
If the dummy connector is plugged, unplug it.



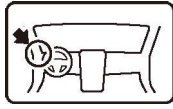
34. Secure the fuse case.



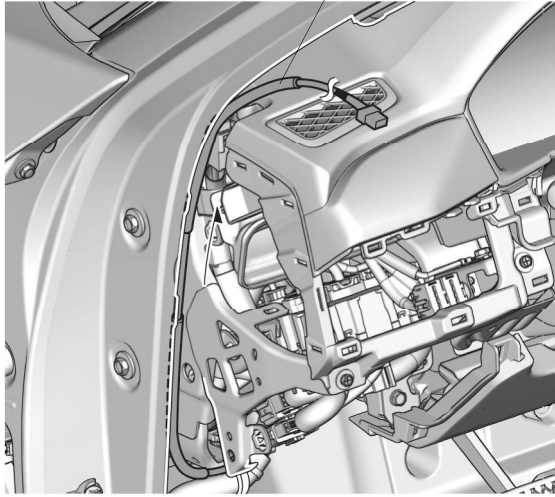
WIRE TIE QM32203AB

35. Route the harness.

Germain Honda of College Hills

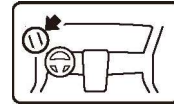


HARNESS



QM32204AB

36. Secure the harness.

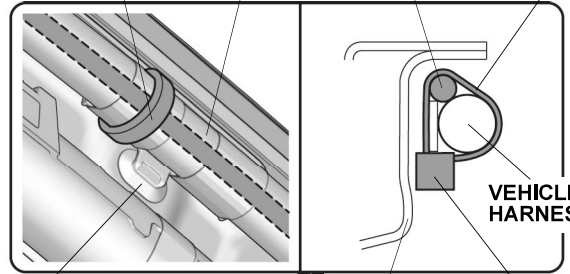


2 WIRE TIES

VEHICLE HARNESS

HARNESS

WIRE TIE



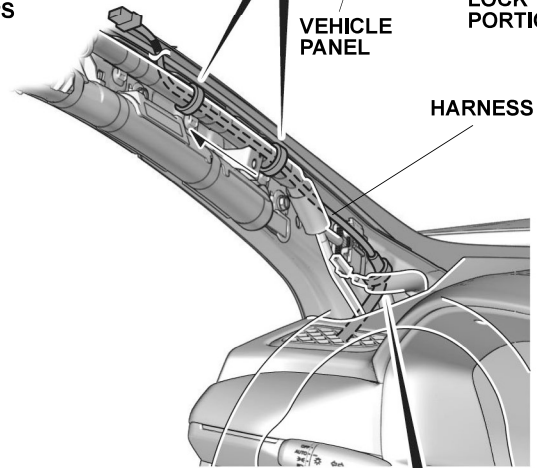
2 VEHICLE CLIPS

SECTION VIEW

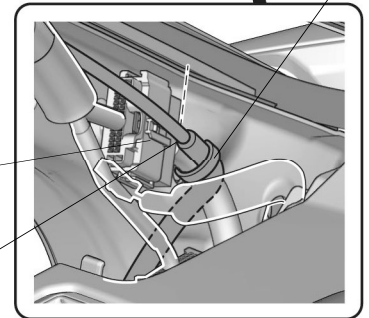
LOCK PORTION

VEHICLE PANEL

HARNESS



WIRE TIE



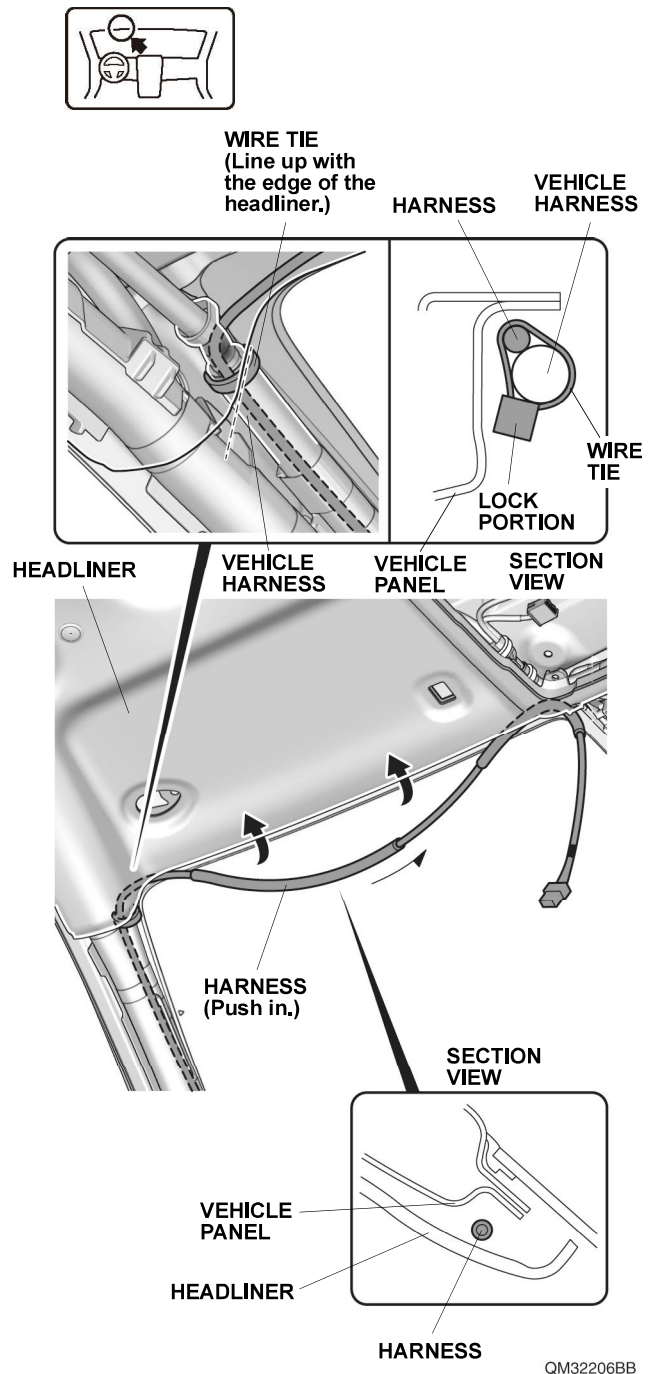
VEHICLE CONNECTORS

EDGE OF THE URETHANE TAPE
(Line up with the vehicle connectors.)

QM32205BB

37. Secure the harness.

Germain Honda of College Hills



38. Push in the harness.

NOTE

Do not crease the headliner.

39. Choose one of these options.

- With automatic day/night mirror and automatic intermittent wipers

Go to step 40

- With automatic day/night mirror

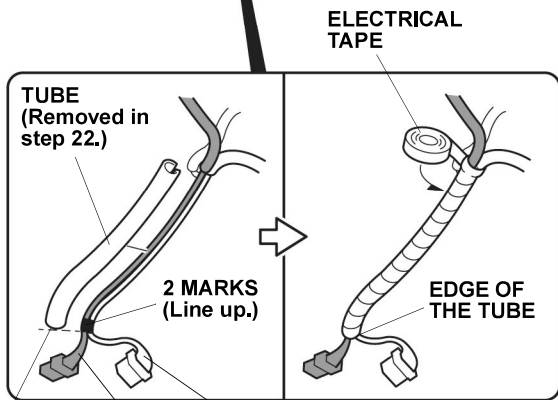
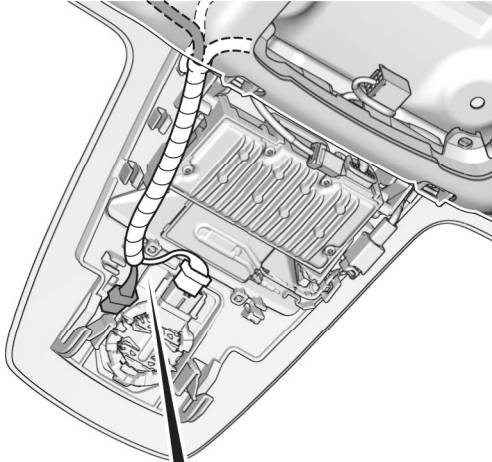
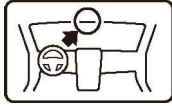
Germain Honda of College Hills

Go to step 44

- Without automatic day/night mirror

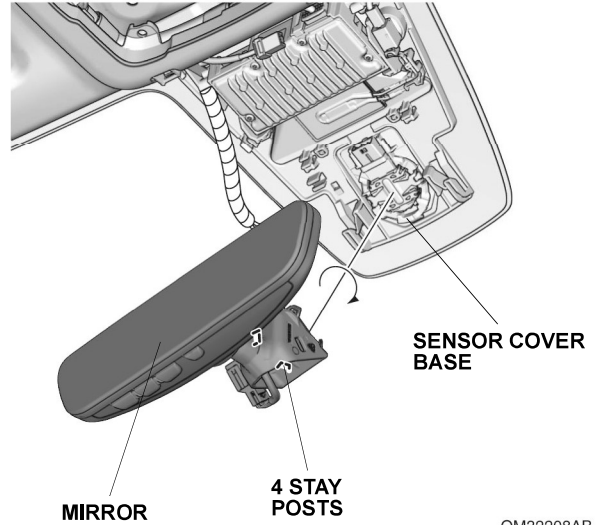
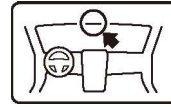
Go to step 44

40. Secure the harness and vehicle harness.



QM32207AB

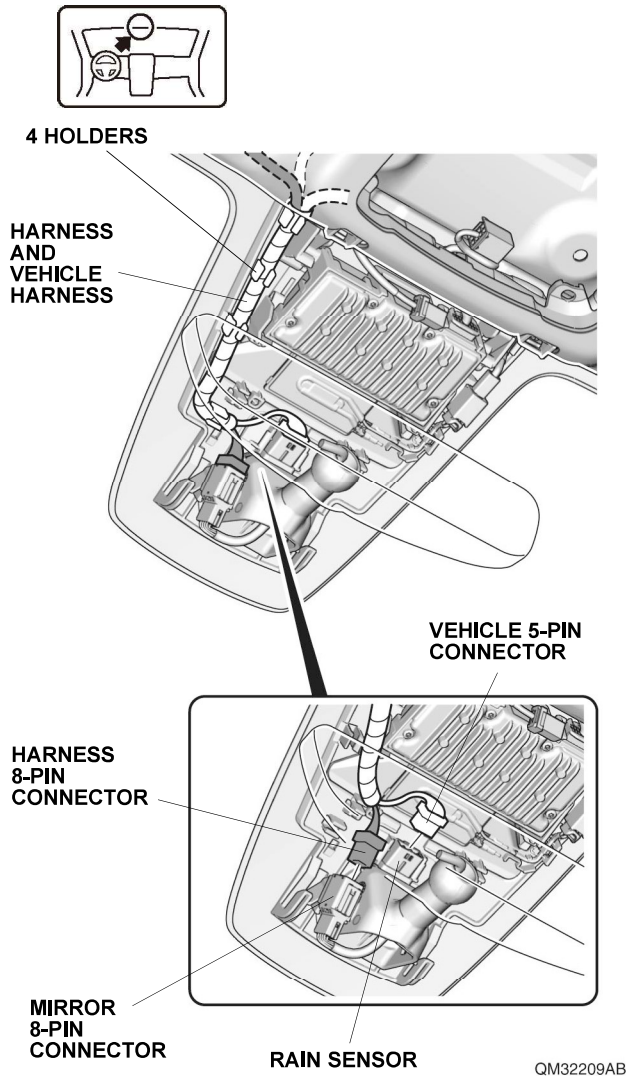
41. Install the mirror.



QM32208AB

42. Plug-in the harness connector and vehicle connector.

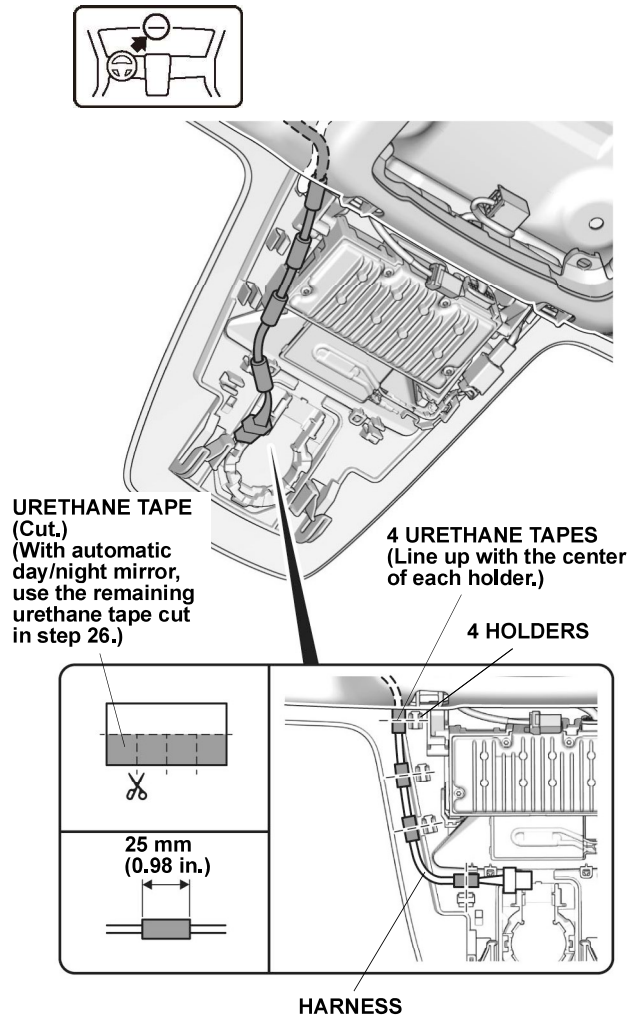
Germain Honda of College Hills



43. Secure the harness and vehicle harness.

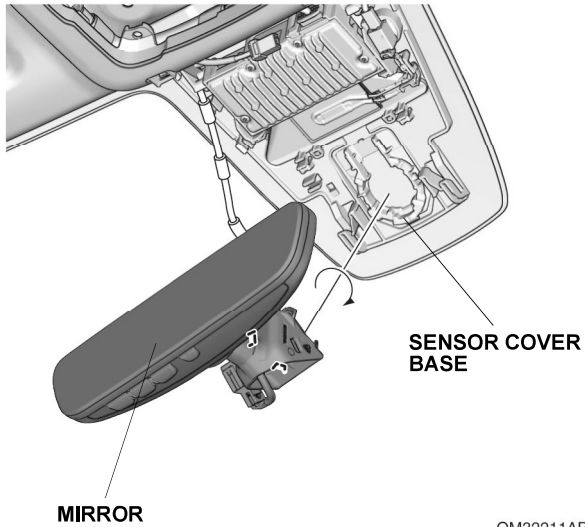
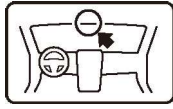
Go to step 48

44. Wrap the urethane tapes.



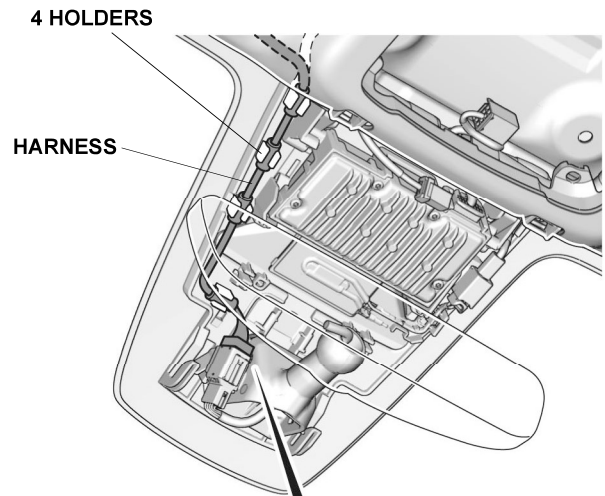
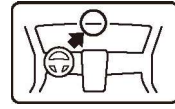
45. Install the mirror.

Germain Honda of College Hills



QM32211AB

46. Plug-in the harness connector.



**HARNESS
8-PIN
CONNECTOR**

**MIRROR
8-PIN
CONNECTOR**

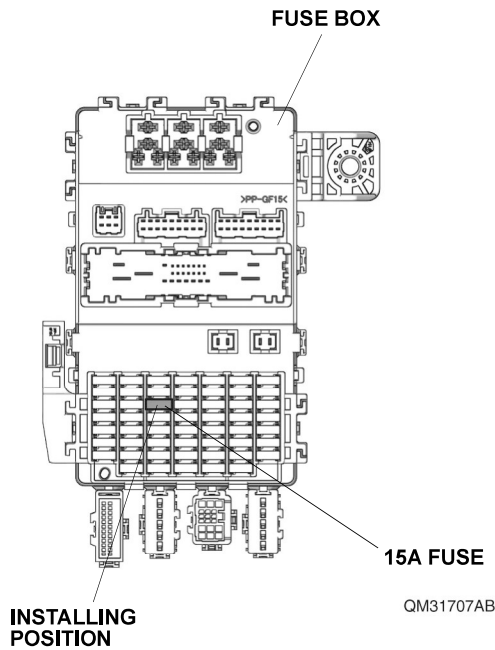
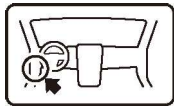
QM32301AB

47. Secure the harness.
48. Install the 15A fuse.

NOTE

If the 15A fuse is already installed, do not install the fuse.

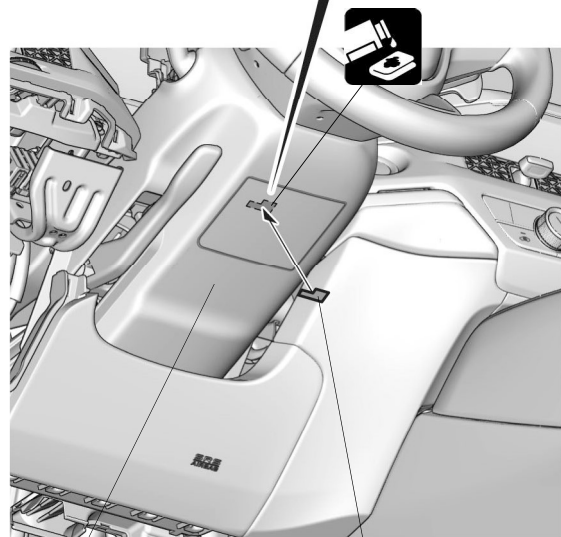
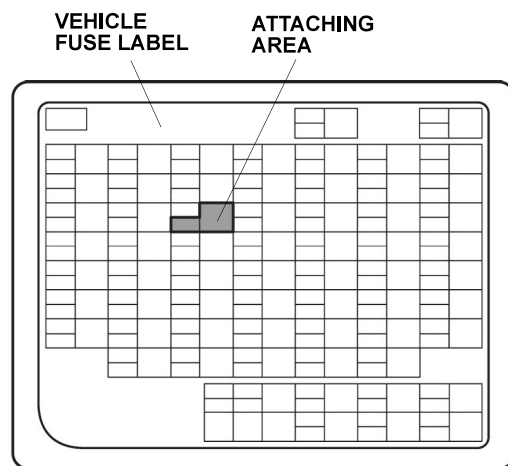
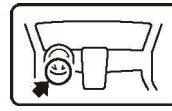
Germain Honda of College Hills



49. Attach the fuse label.

NOTE

If the fuse label (15A) is already attached, do not attach the fuse label.



STEERING COLUMN LOWER COVER

FUSE LABEL (15A OPTION FUSE)

QM32303AB

50. Check that all parts are installed and properly routed.

NOTE

- Check that all harnesses are not pulled or pinched.
- Make sure all clips and wire ties are securely installed.

51. Install all removed parts.

<Installing the A-Pillar Trim>

52. Check the overlap between the headliner and the A-pillar trim.

Germain Honda of College Hills

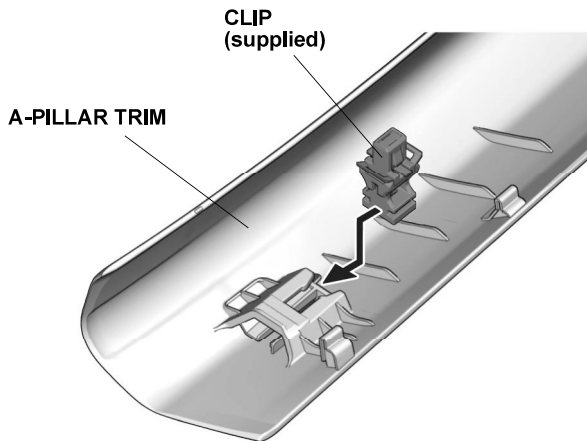
NOTE

Check and adjust the overlap as described in the service information.

53. Install the clip of the A-pillar trim.

NOTE

Make sure to use the replacement clip provided in this kit.



QM32302AB

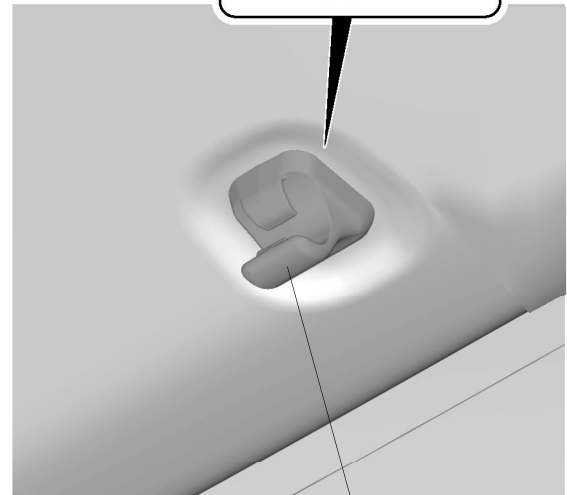
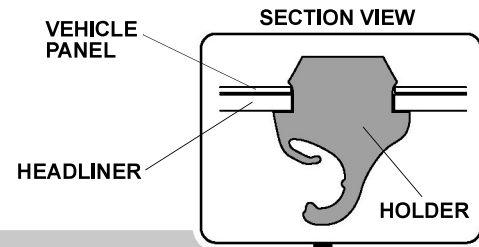
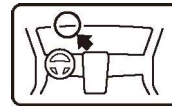
54. Install the A-pillar trim.

NOTE

- Make sure the side curtain airbag is not tucked under the clips.
- Do not push the A-pillar trim excessively.

<Installing the Holder>

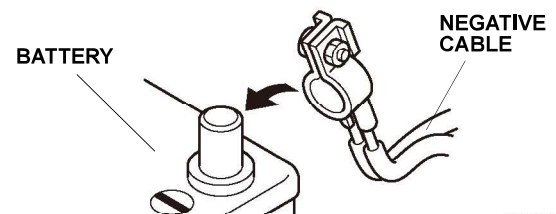
55. Make sure to check the holder is installed properly.



HOLDER

QJ30141AR

56. Connect the negative cable to the battery.



Q060702BM

57. Make sure the accessory operates as described in the Accessory User's Information Manual.
58. Make sure all accessories and systems operate properly.
59. If necessary, restore the systems back to normal operation as described in the service information.
60. Press and hold the audio unit power button for 2 seconds to restore the audio and navi (if equipped) system functions.
61. Give the Accessory User's Information Manual to the customer.