

2023 Acura Integra L4-1.5L Turbo (L15CA)

Vehicle > Accessories and Optional Equipment > Radio, Stereo, and Compact Disc > Speaker > Testing and Inspection > Component Tests and General Diagnostics

## SPEAKER TEST

### Speaker Test

---

## Test

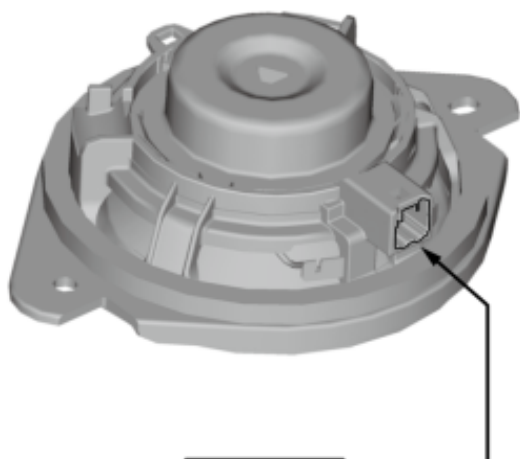
How to use this manual.

#### Front Center Speaker/Front Door Speaker (9 cm)

##### 1. Front Center Speaker/Front Door Speaker (9 cm) - Test

#### ■ Preconditions

- Front Center Speaker Removed
- Front Door Speaker (9 cm) Removed

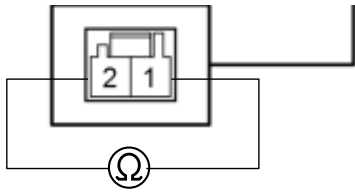


#### ■ Procedure/Specifications

##### Specifications

Specification
---------------

About 2 $\Omega$
------------------



## ■ Result

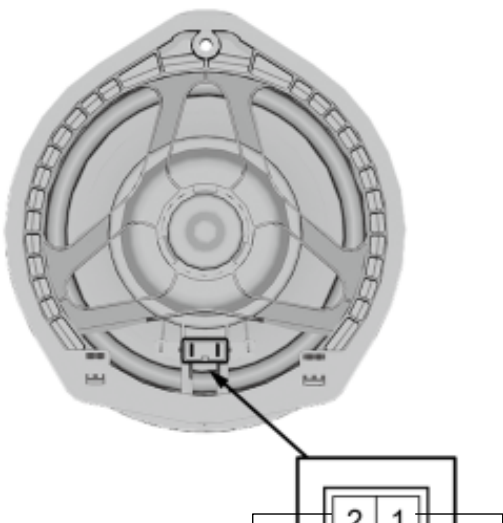
- If the measurement is not within specifications, replace the front center speaker.

## Door Speaker (17 cm)

### 1. Door Speaker (17 cm) - Test

## ■ Preconditions

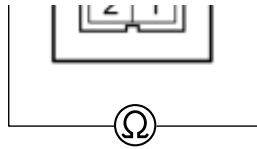
- Front Door Speaker Removed
- Rear Door Speaker Removed



## ■ Procedure/Specifications

### Specifications

Type	Specification
Display audio type (9-inch screen)	About 2 Ω
Color audio type (7-inch screen)	About 4 Ω



## ■ Result

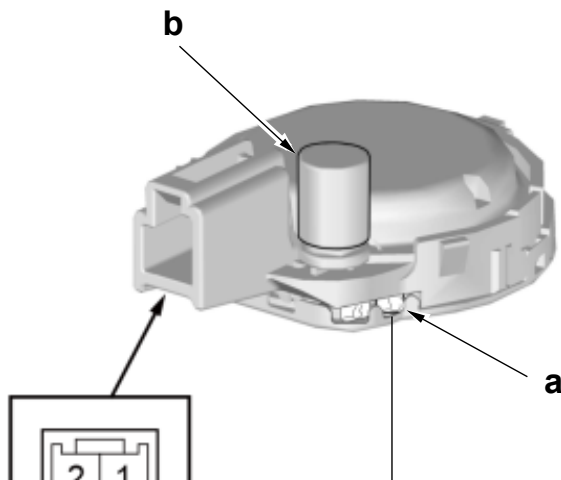
- If the measurement is not within specifications, replace the speaker.
  - Front Door Speaker
  - Rear Door Speaker

## Tweeter

### 1. Tweeter - Test

## ■ Preconditions

- Front Tweeter Removed
- Rear Door Tweeter Removed



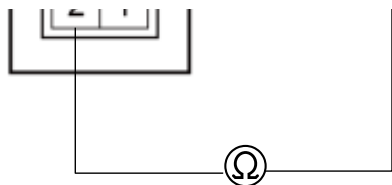
## ■ Procedure/Specifications

- Measure the resistance between terminal No. 2 and the outside terminal (a) of the capacitor (b).

NOTE: Also, visually check the capacitor for damage.

### Specifications

Type	Specification
Display audio type	About 2 Ω



(9-inch screen)	
Color audio type (7-inch screen)	About 4 $\Omega$

## ■ Result

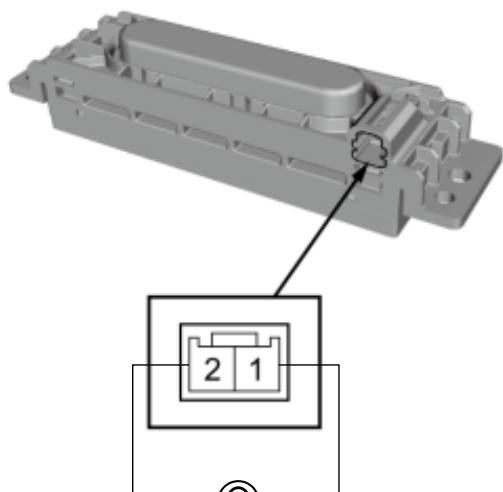
- If the measurement is not within specifications, replace the tweeter.

## Roof Speaker

### 1. Roof Speaker - Test

## ■ Preconditions

- Roof Speaker Removed



## ■ Procedure/Specifications

### Specifications

#### Specification

About 4  $\Omega$



---

## ■ Result

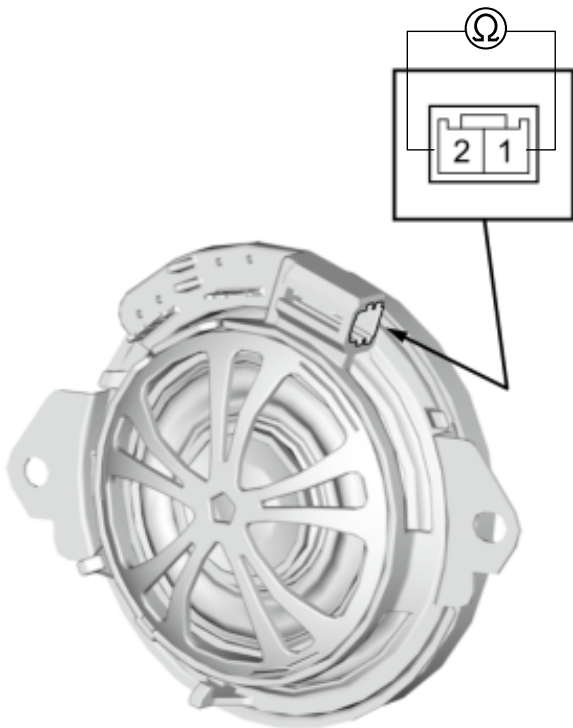
- If the measurement is not within specifications, replace the roof speaker.

## Satellite Speaker

### 1. Satellite Speaker - Test

## ■ Preconditions

- Satellite Speaker Removed



## ■ Procedure/Specifications

### Specifications

#### Specification

About 2 Ω
-----------

---

## ■ Result

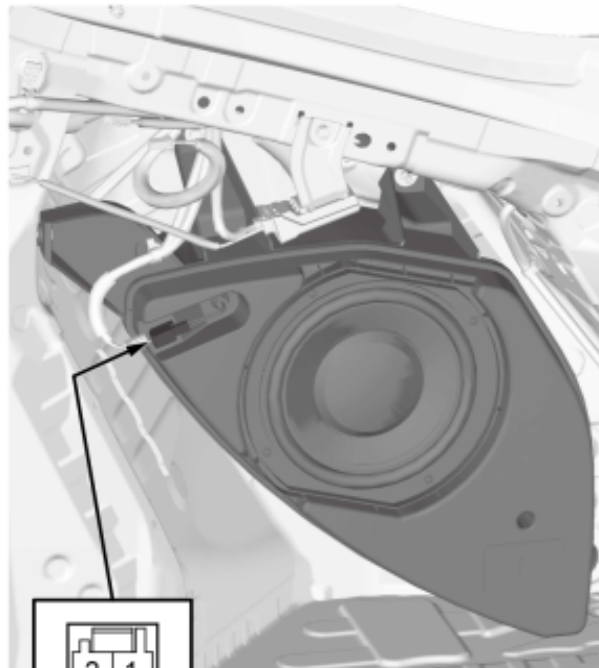
- If the measurement is not within specifications, replace the satellite speaker.

## Subwoofer

### 1. Subwoofer - Test

## ■ Preconditions

- Rear Side Trim Panel (Right Side) Removed
- Subwoofer Connector Disconnected



## ■ Procedure/Specifications

### Specifications

Specification
---------------

About 2 $\Omega$
------------------



---

## ■ Result

- If the measurement is not within specifications, replace the subwoofer.